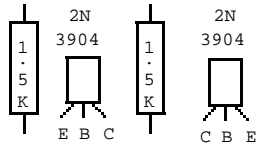
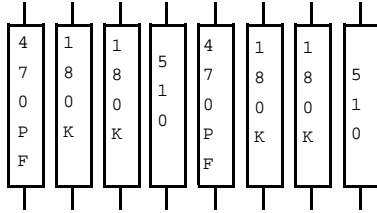


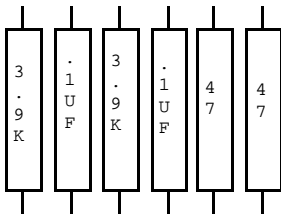
NOTE #1



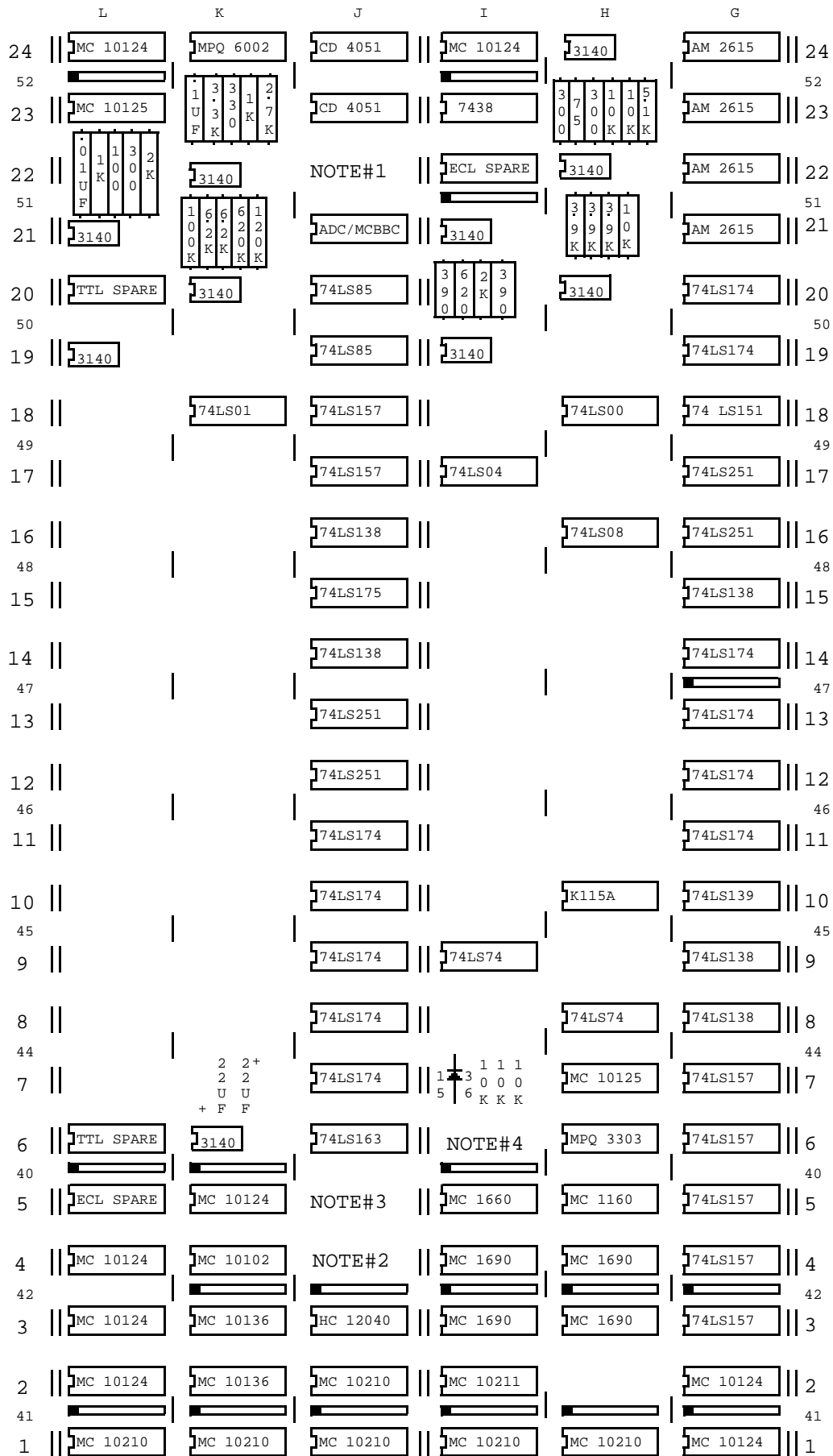
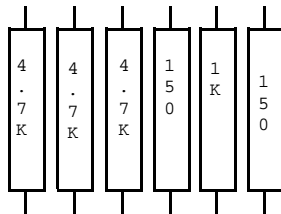
NOTE #2



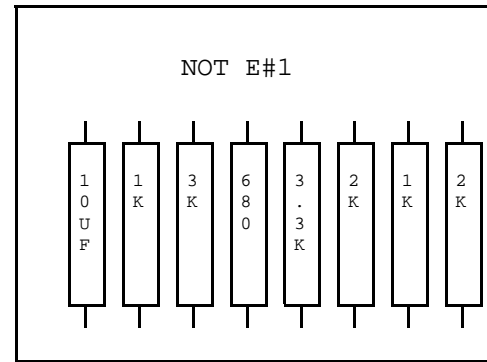
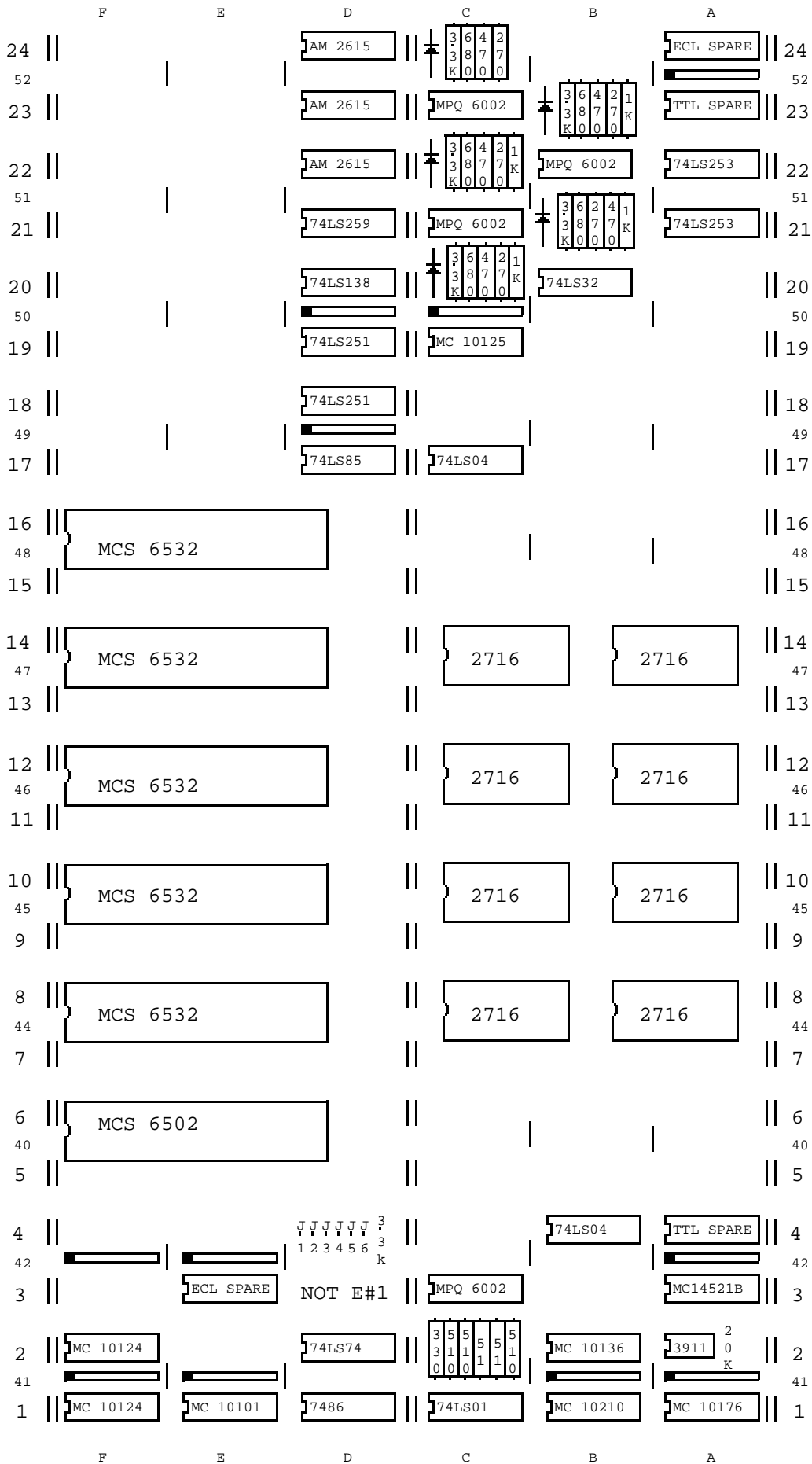
NOTE #3

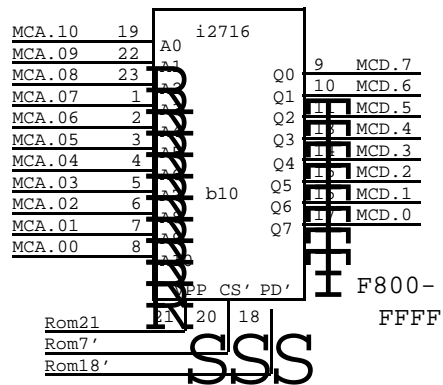
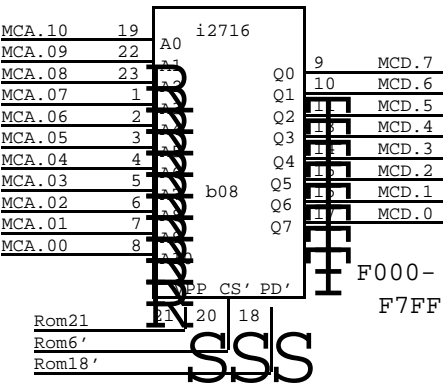
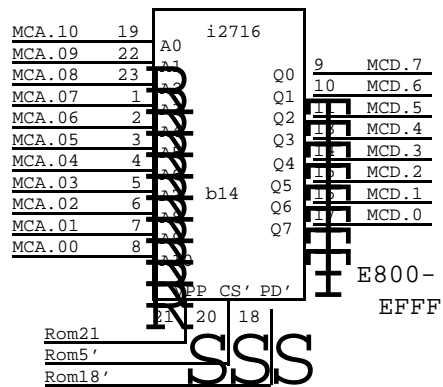
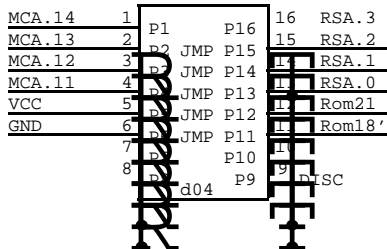
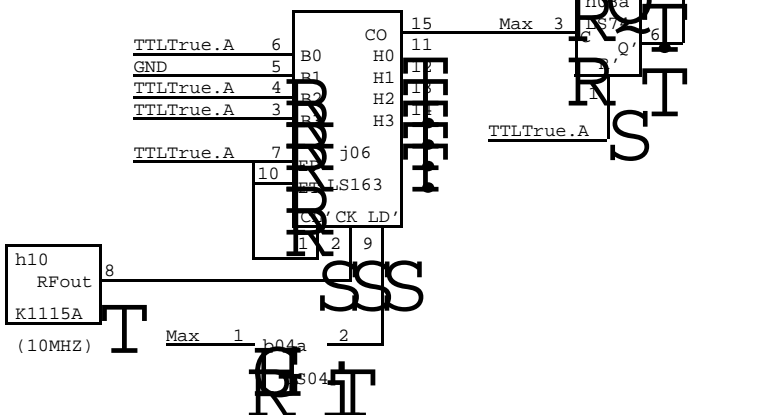
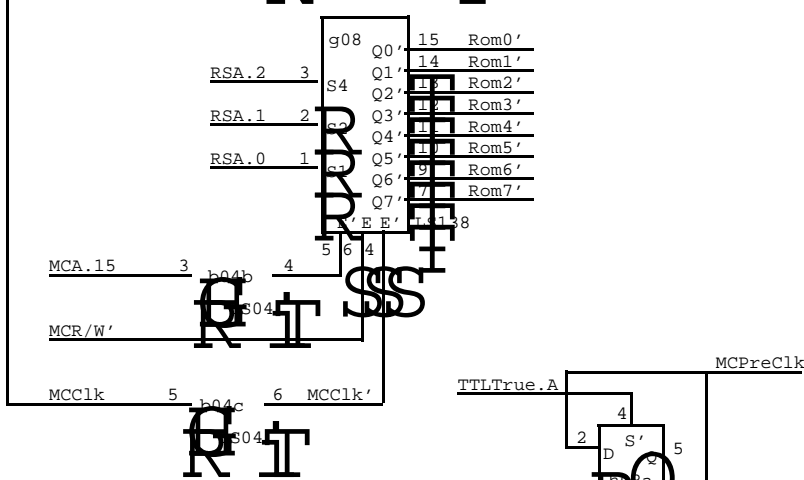


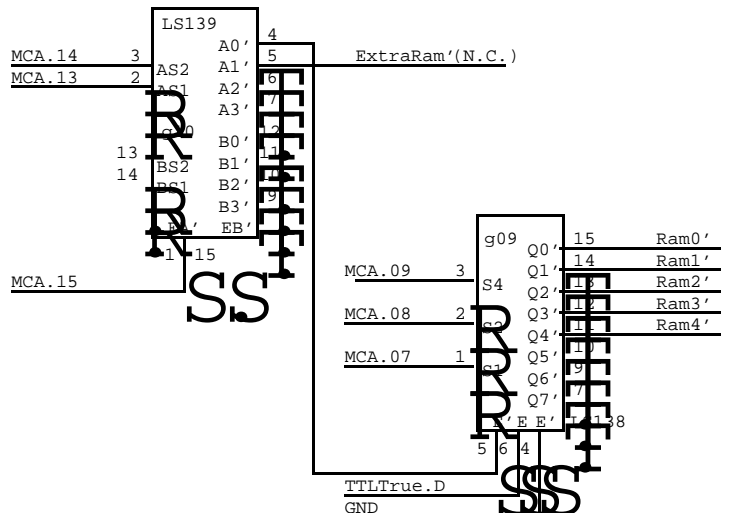
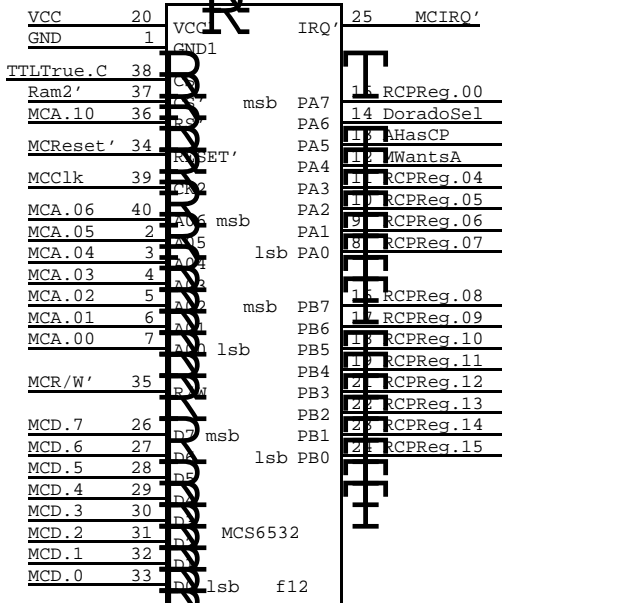
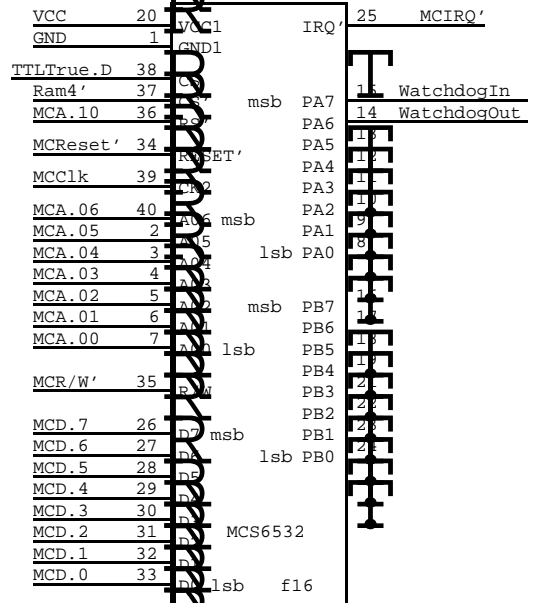
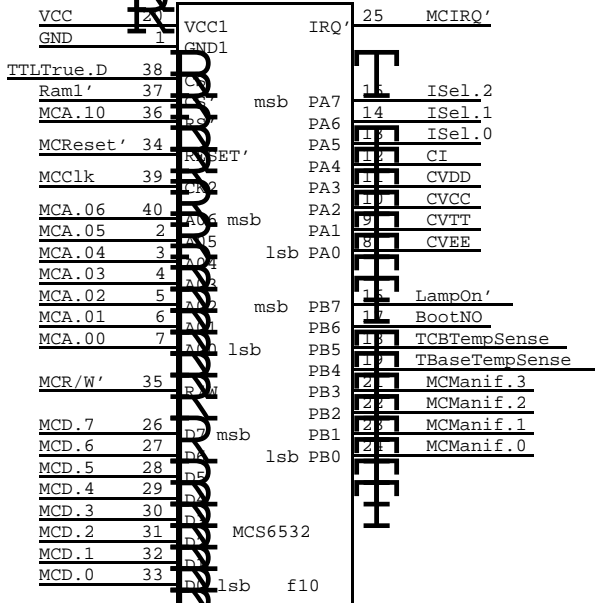
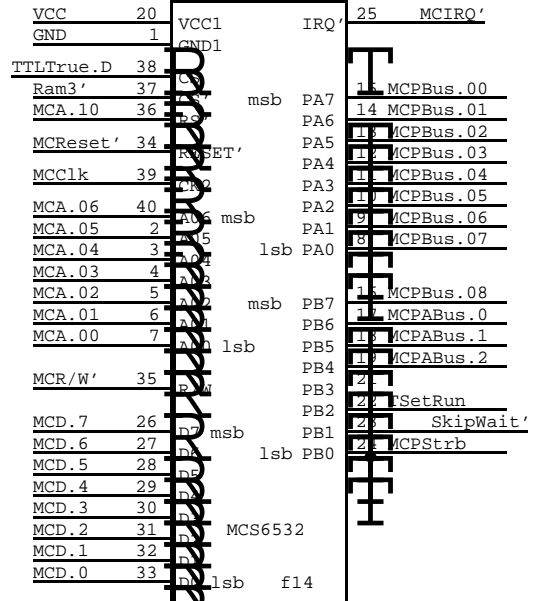
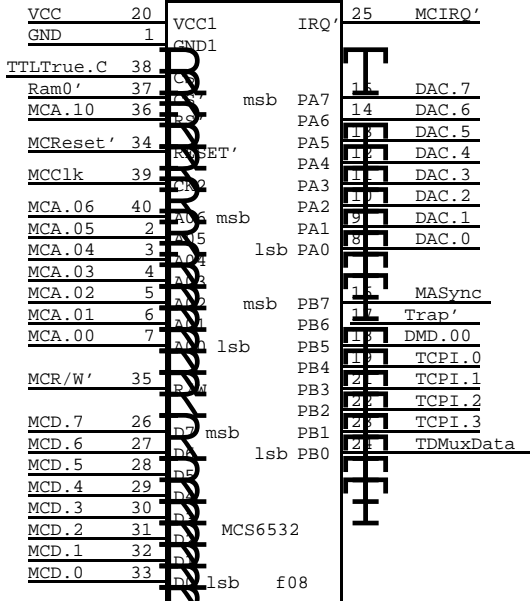
NOTE #4

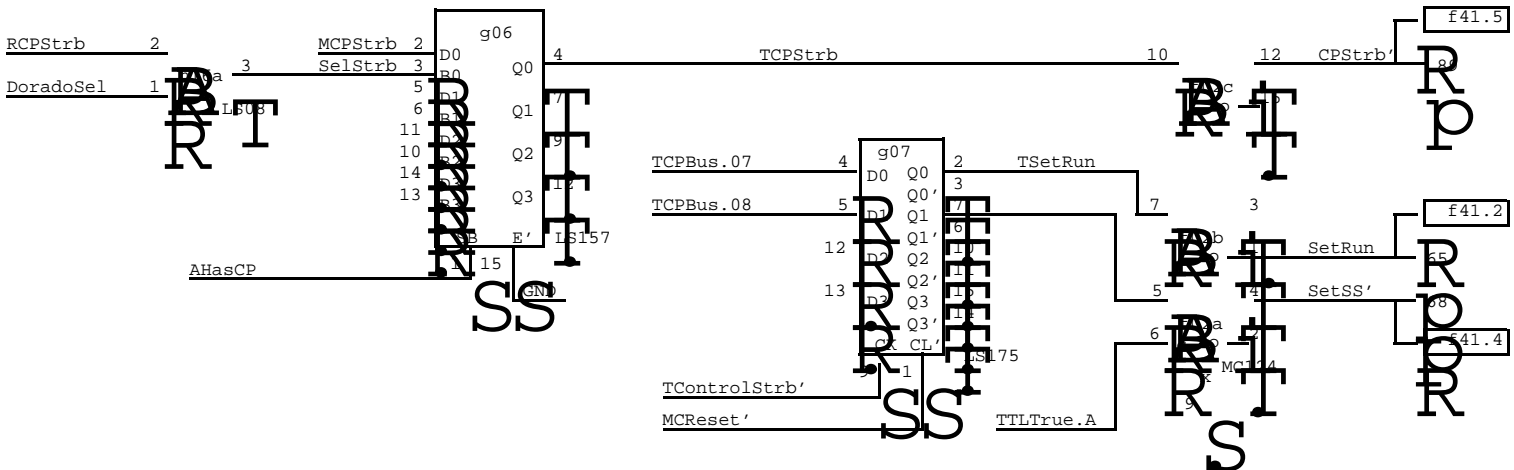
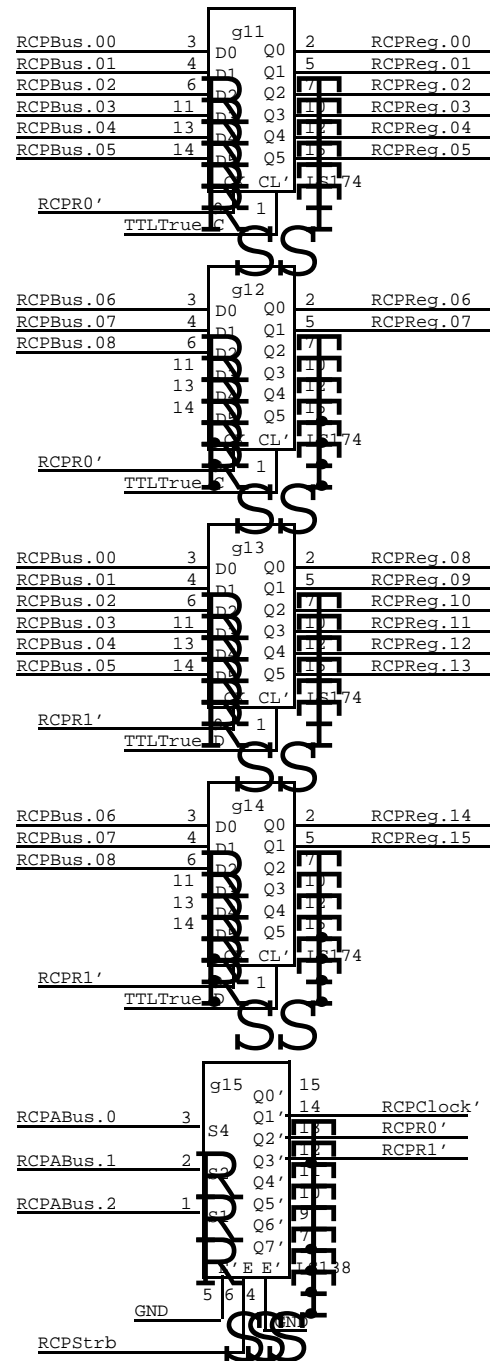
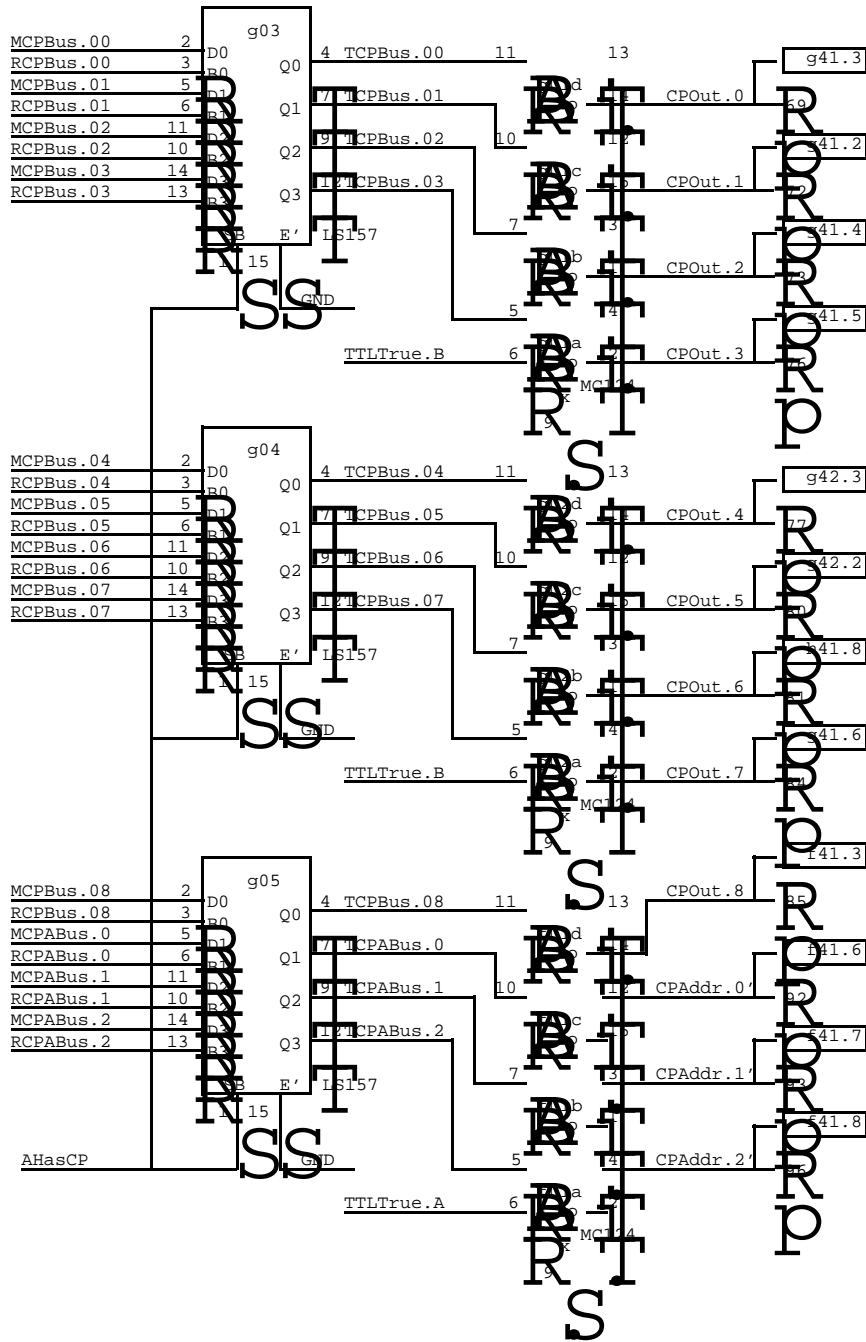


L K J I H G

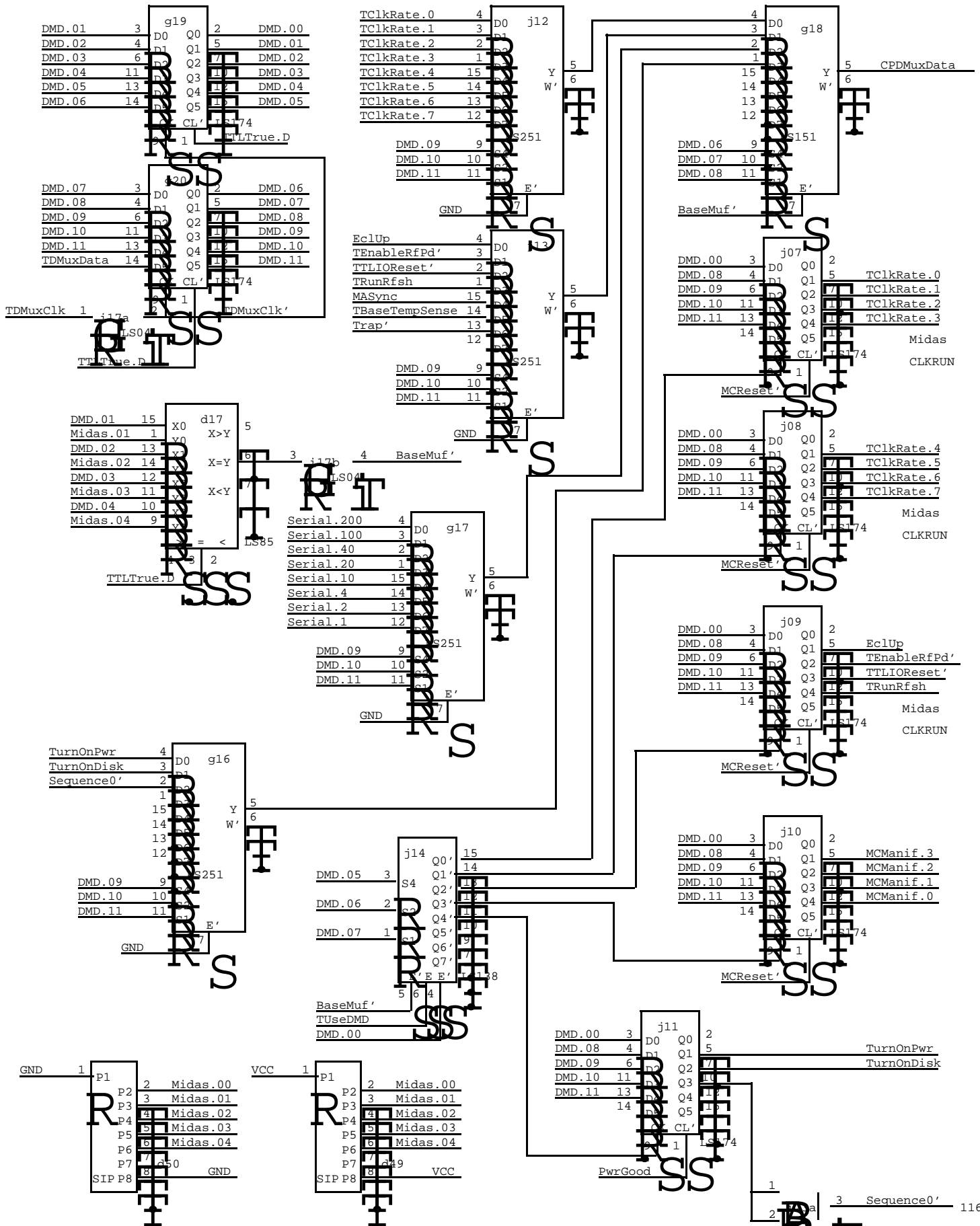


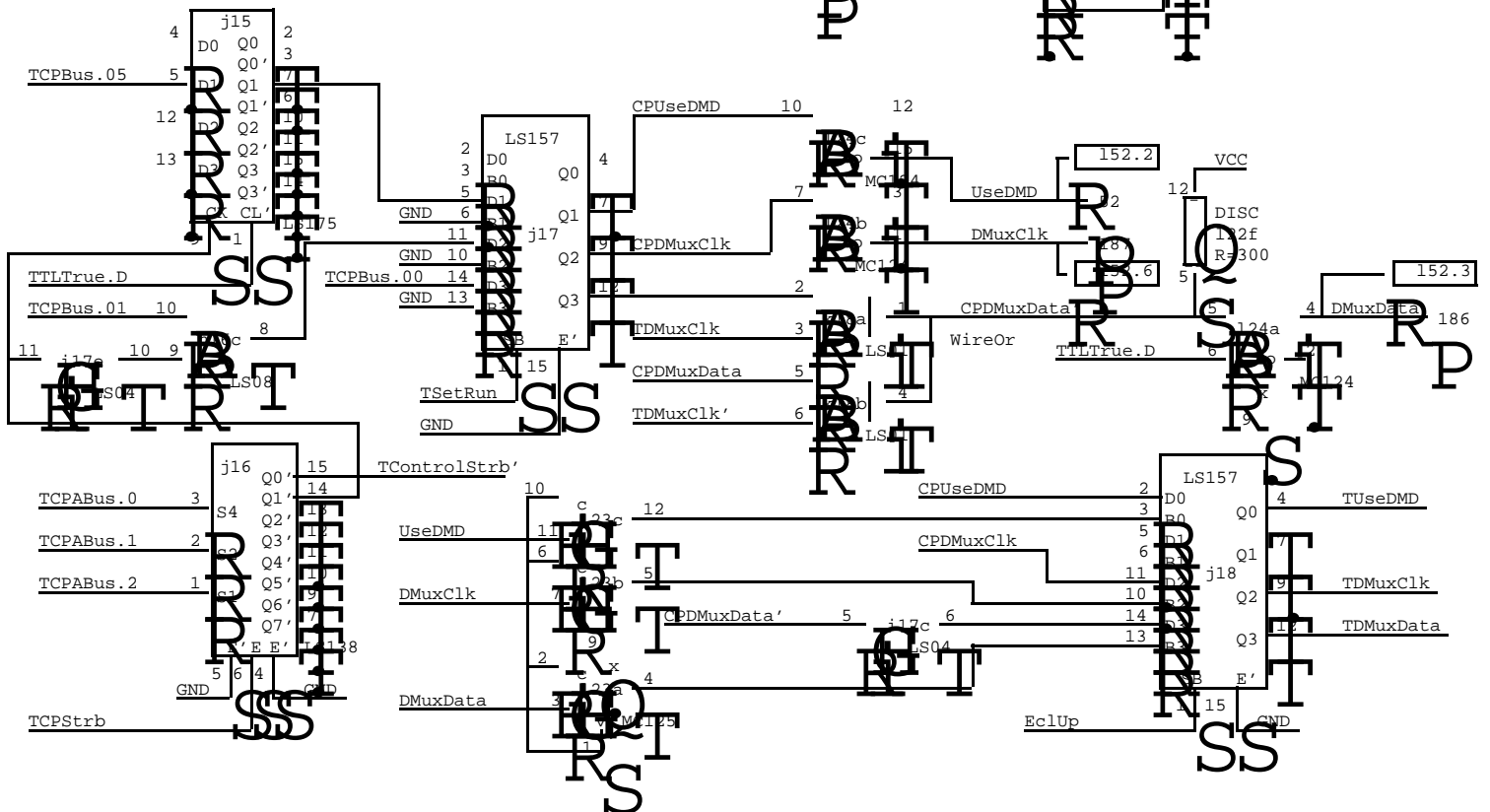
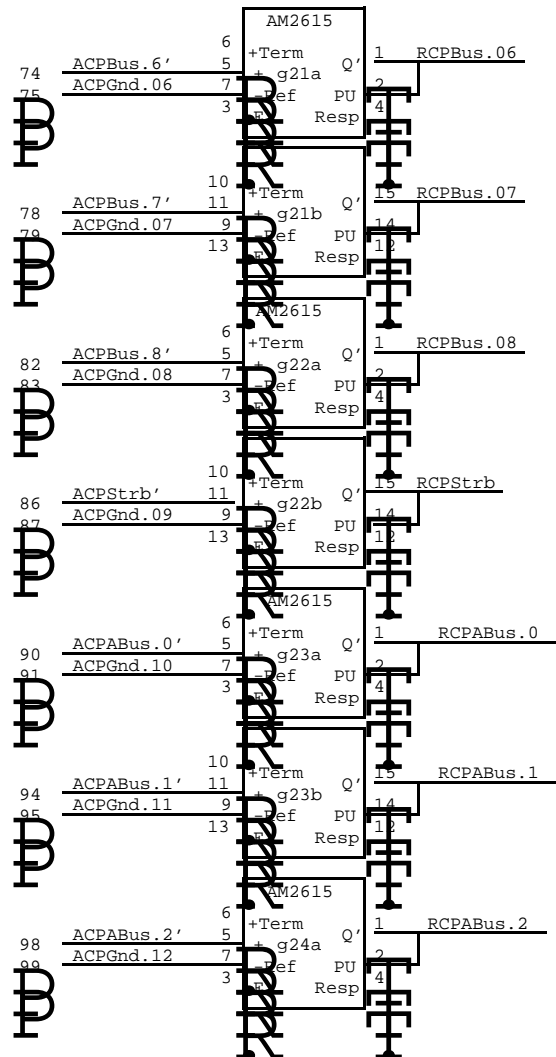
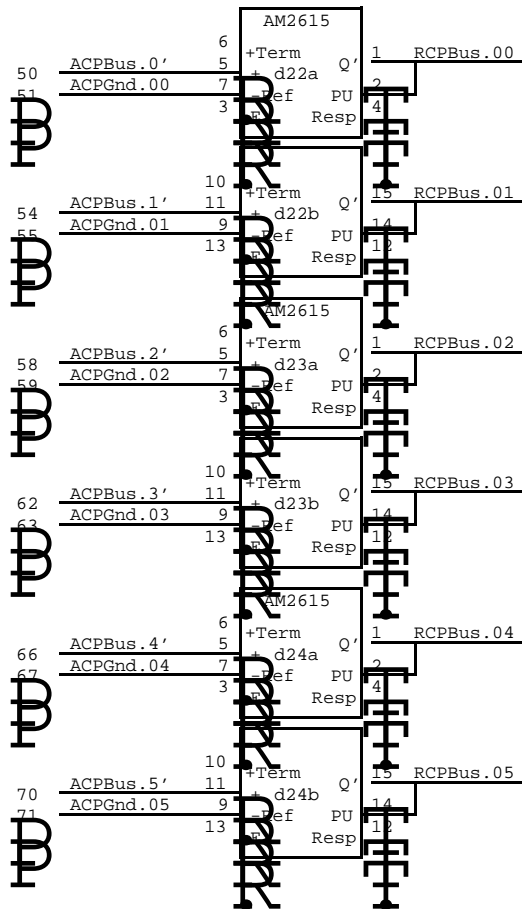


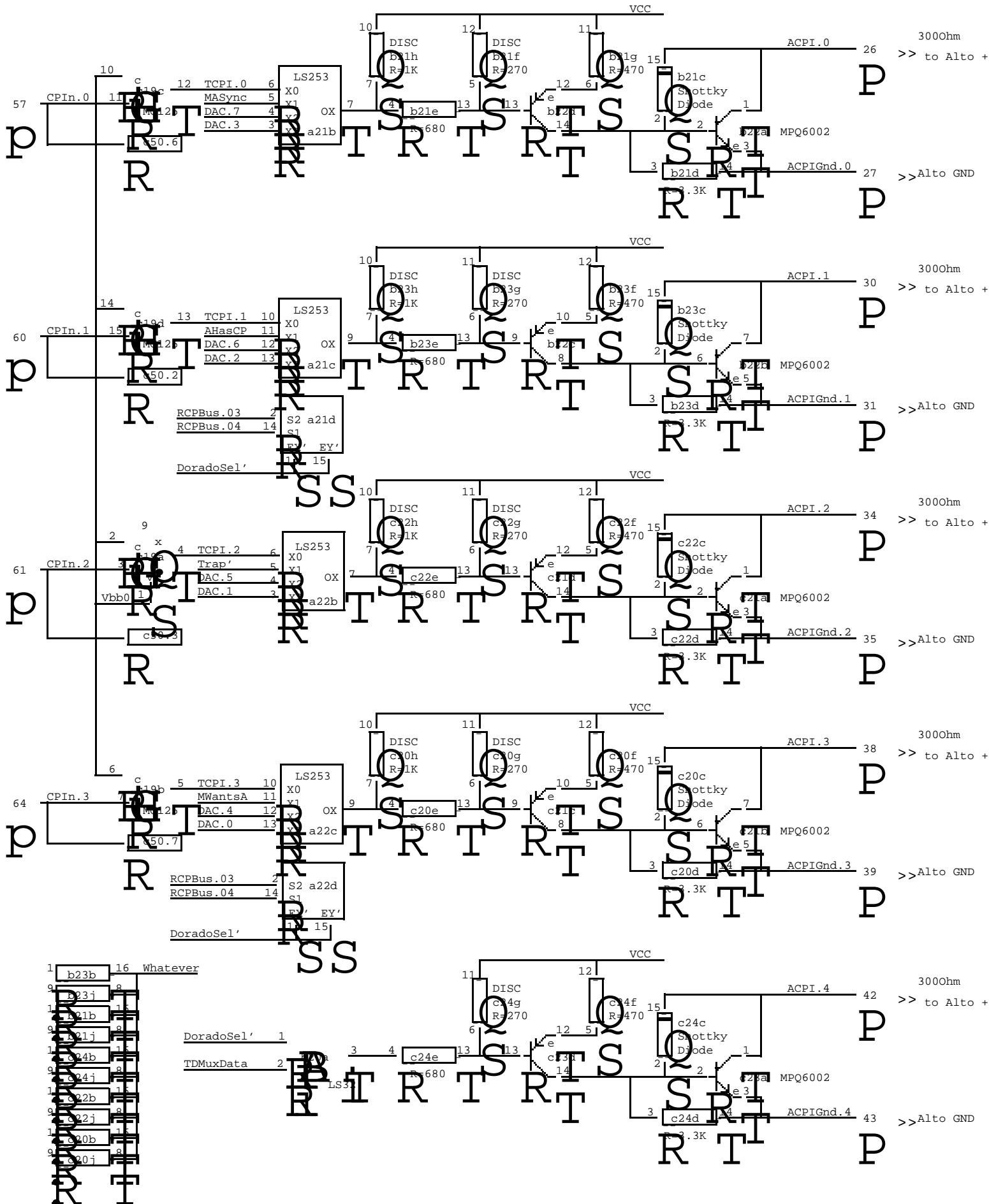


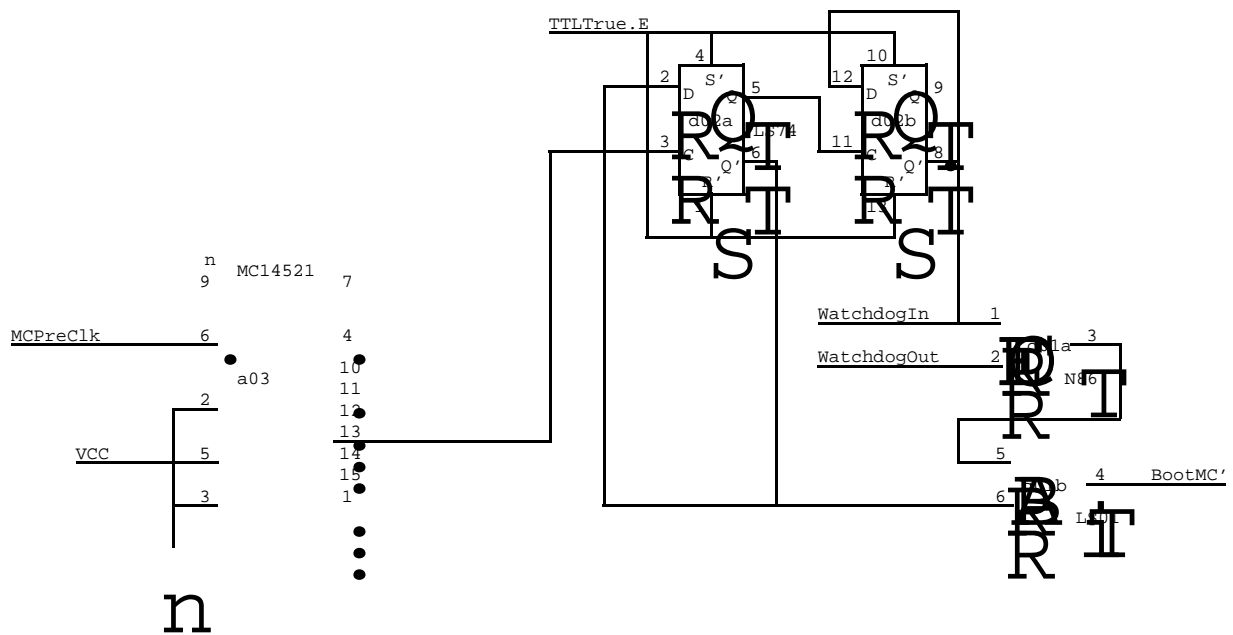
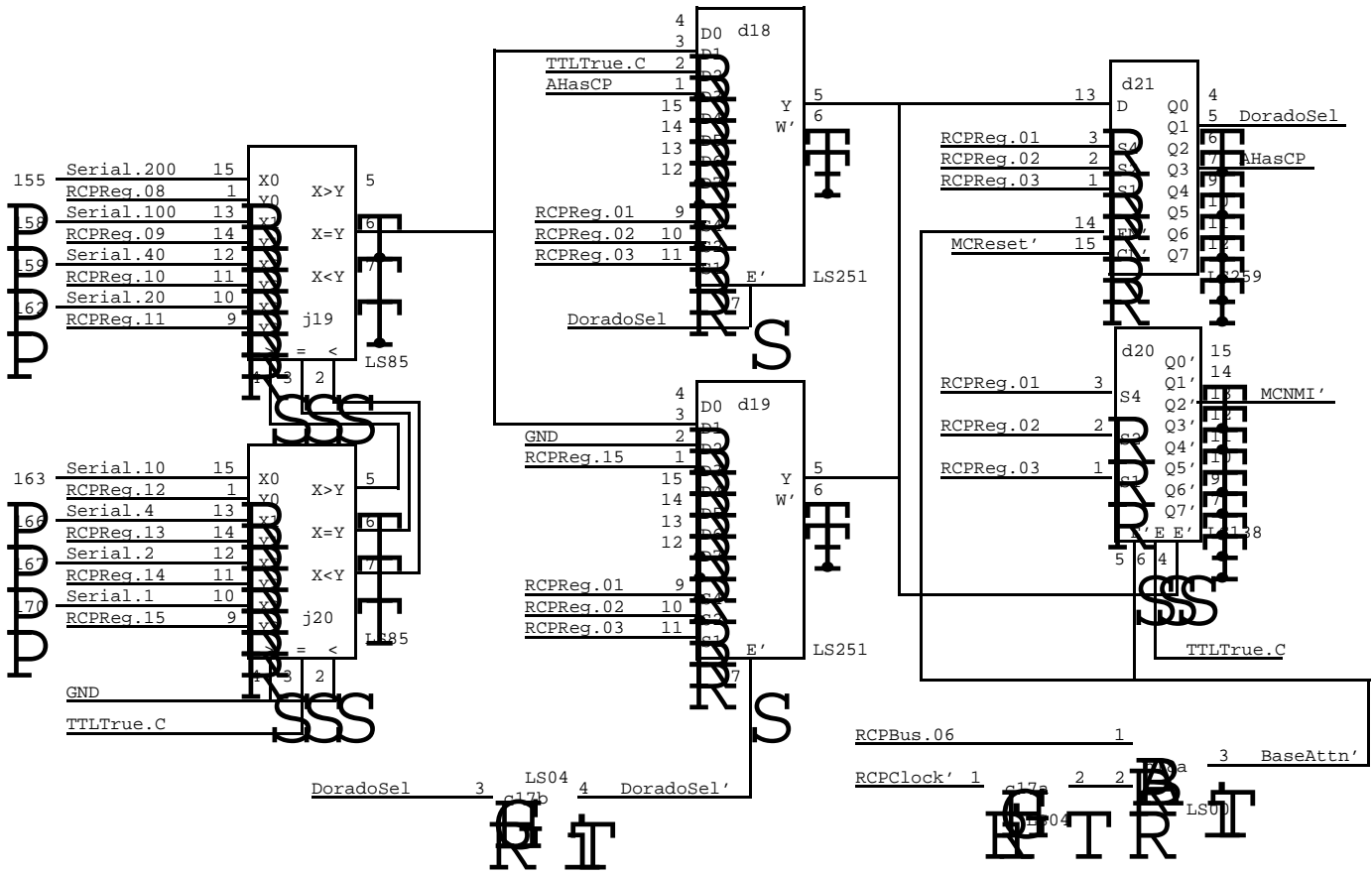


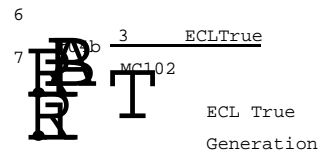
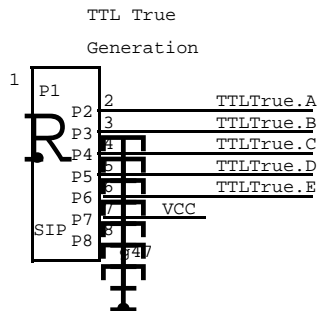
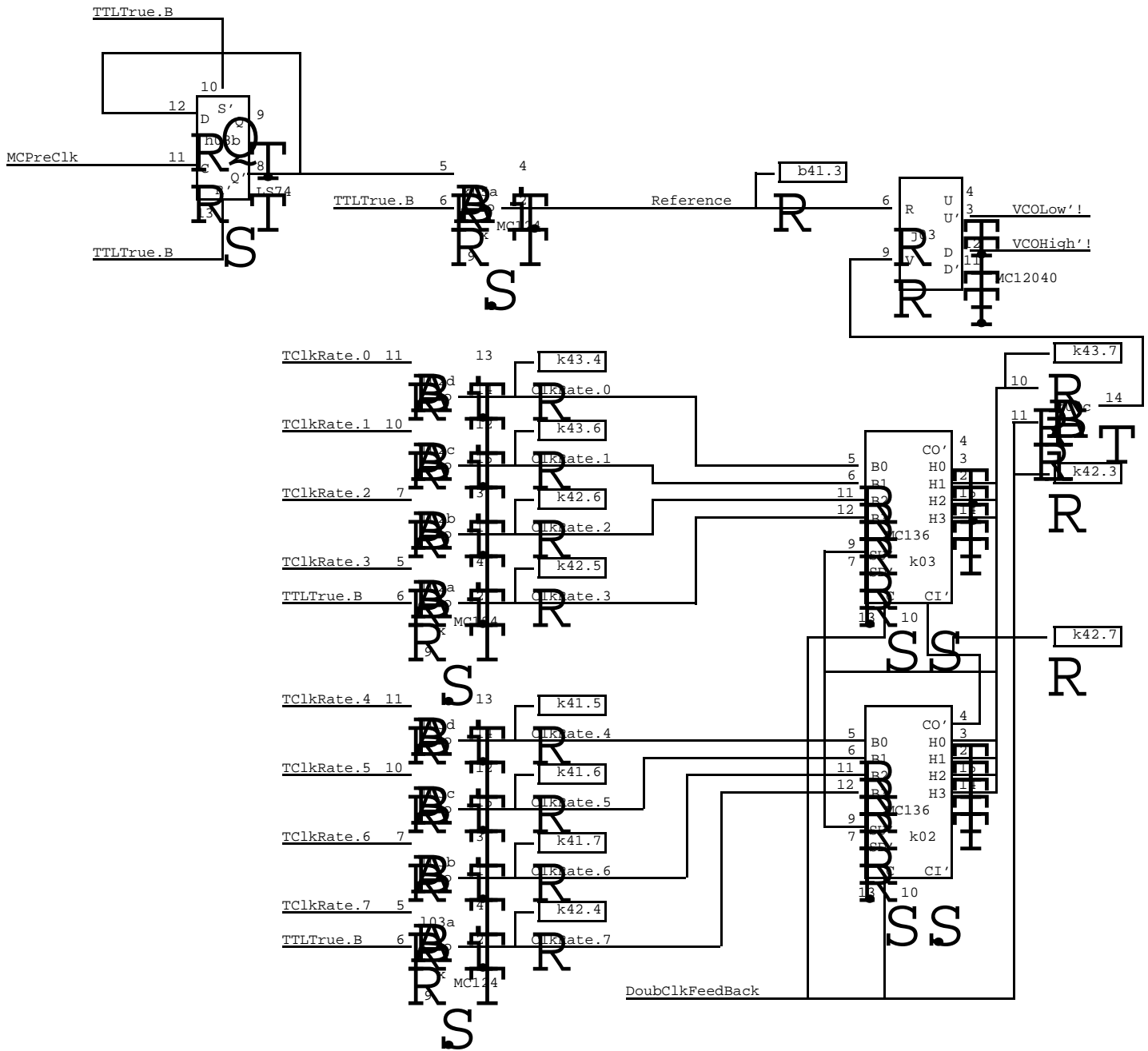
XEROX	Project	File	Designer	Rev	Date	Page
CSL	Dorado	BasebdPc03.sil	McCreight	Be	7/10/81	03

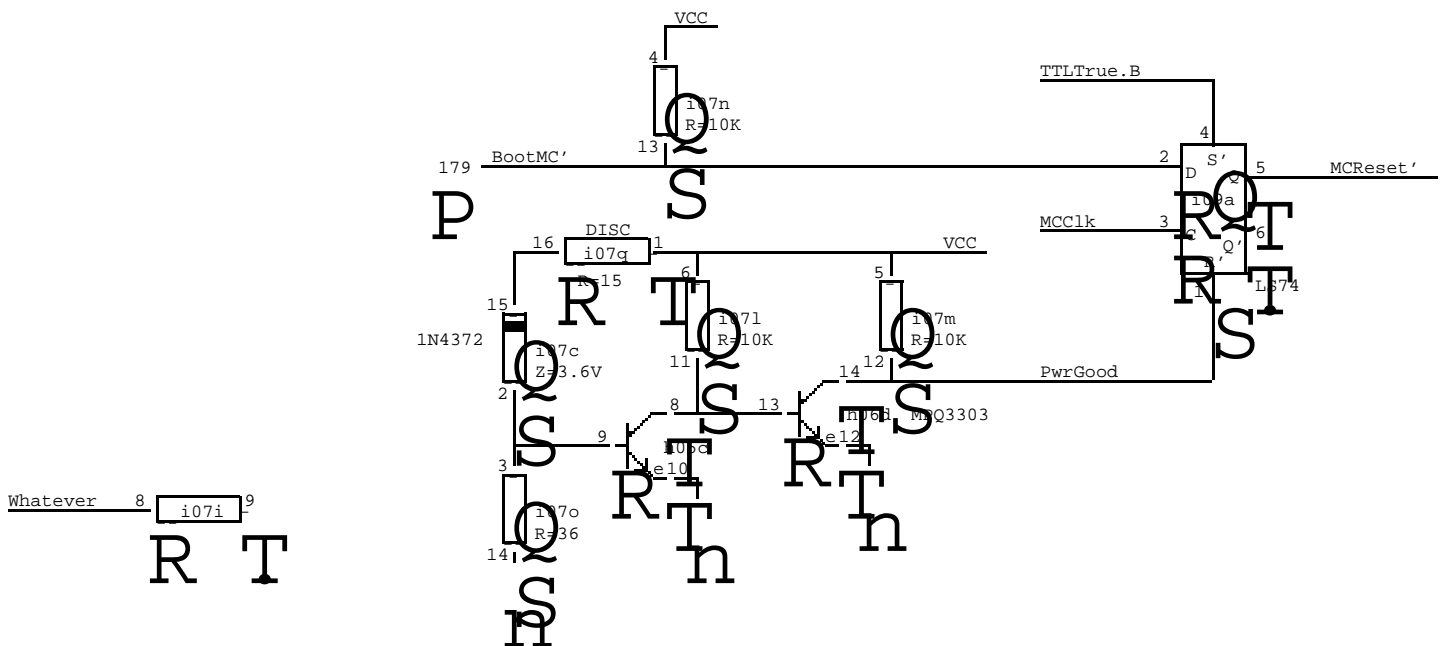
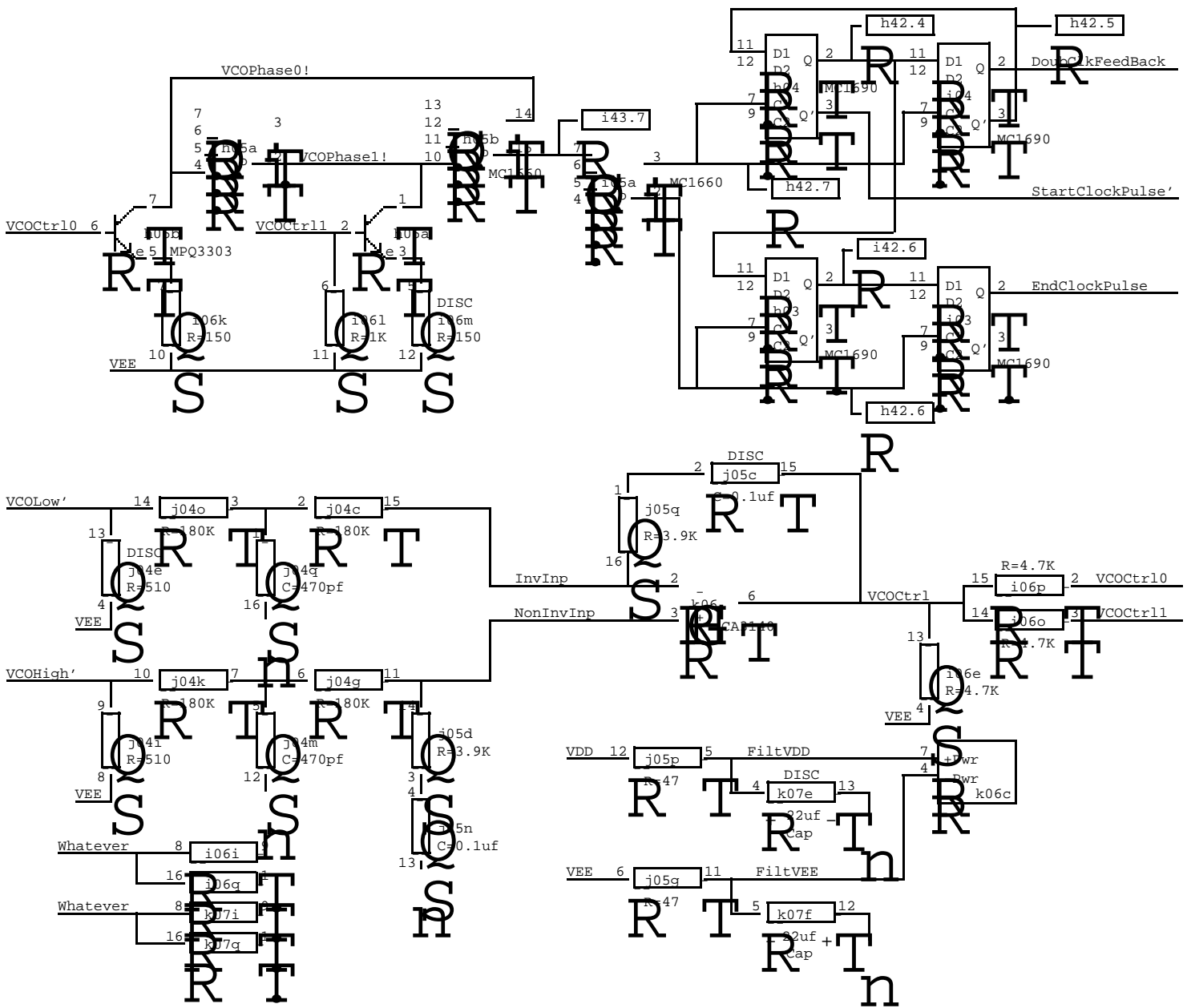




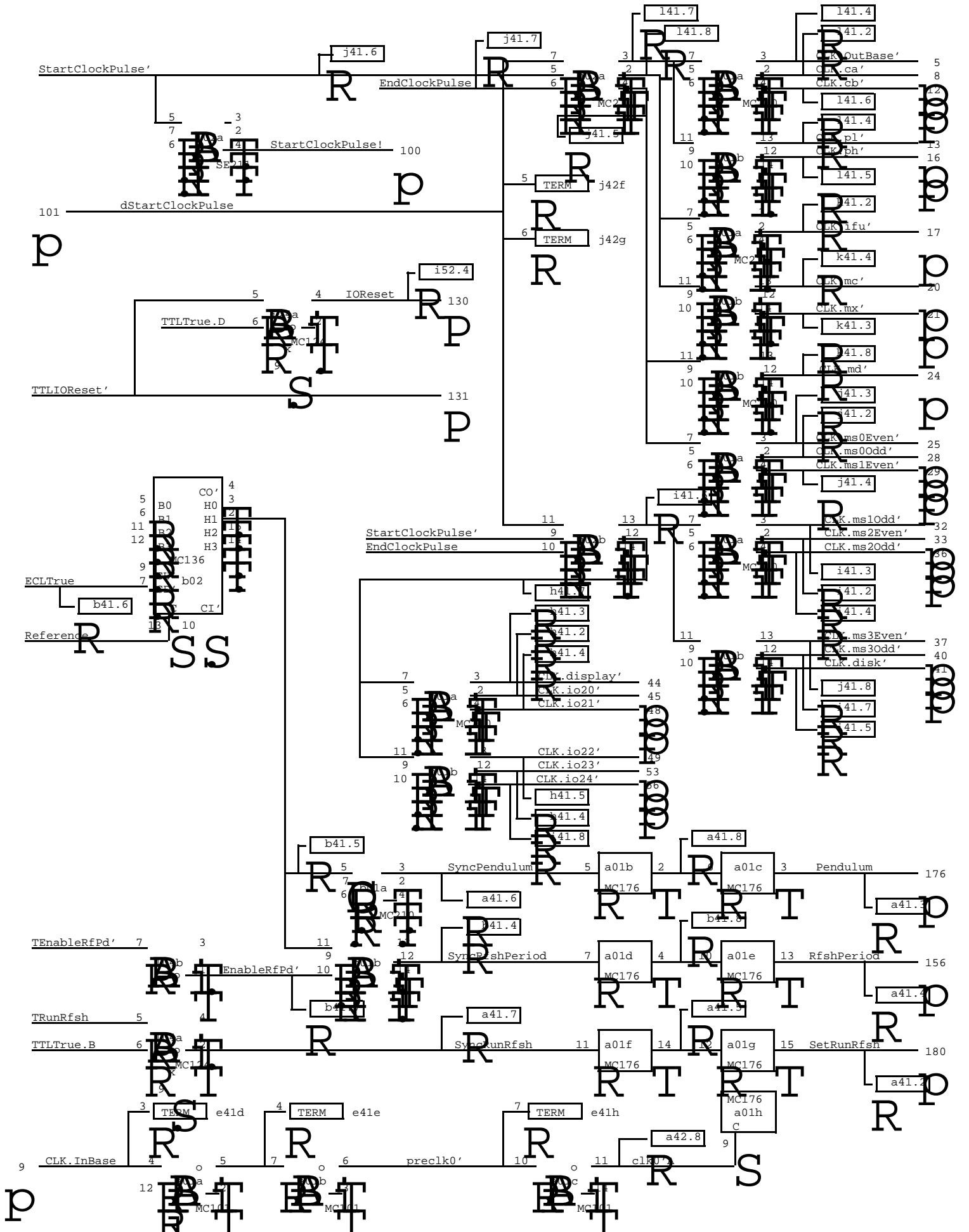




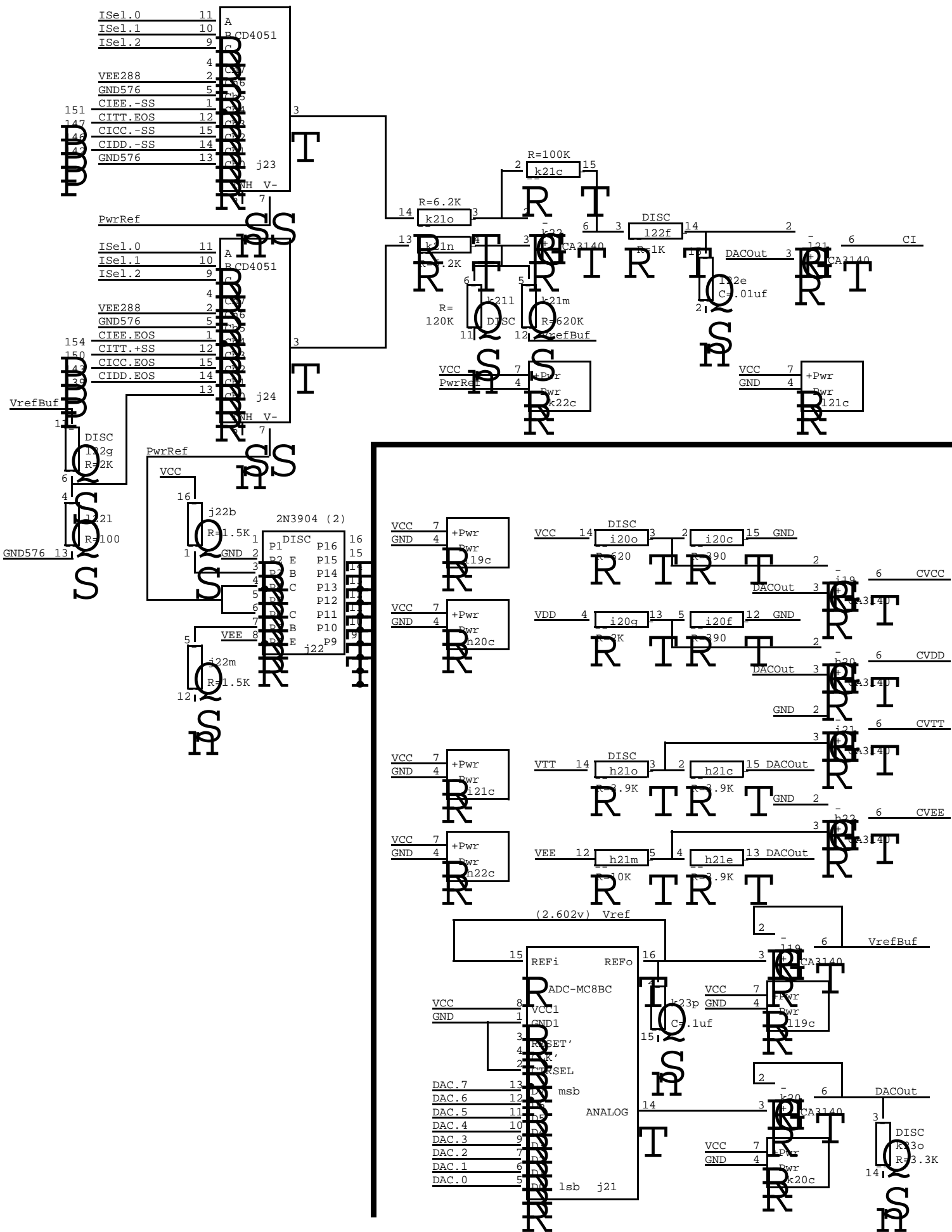


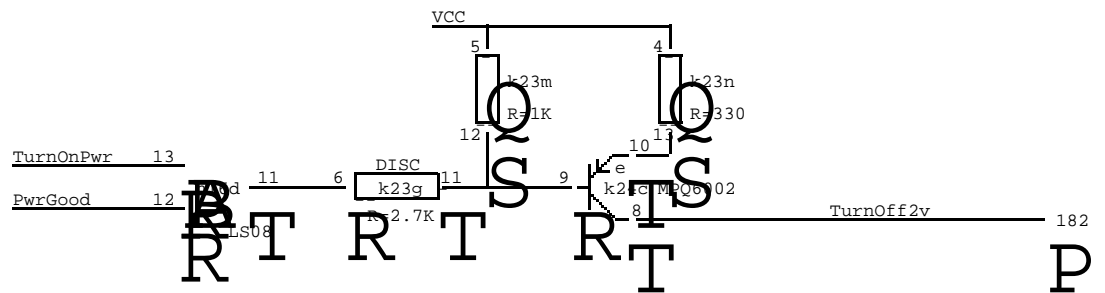
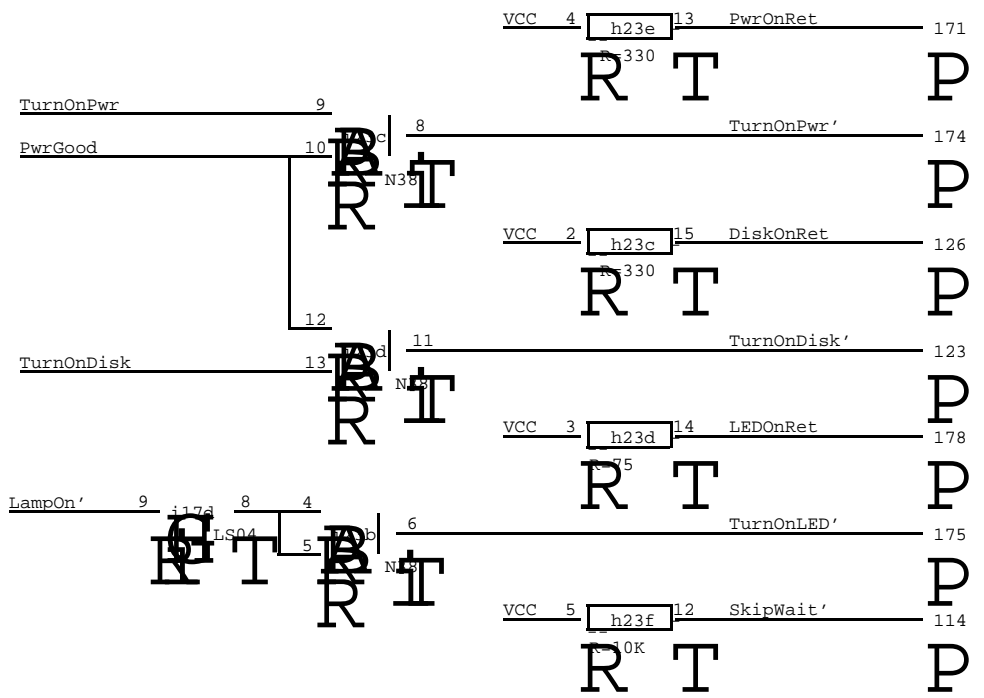
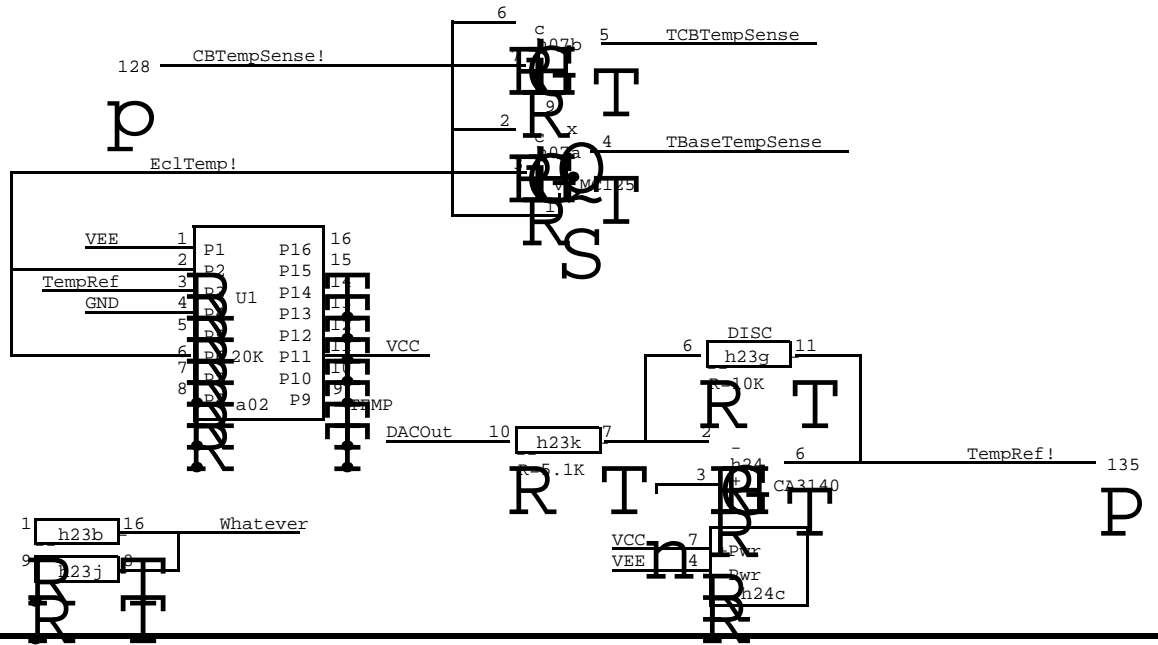


XEROX CSL	Project Dorado	Clock Generator Loop filter and VCO	File BasebdPc09.sil	Designer McCreight	Rev Be	Date 8/14/81	Page 09
--------------	-------------------	--	------------------------	-----------------------	-----------	-----------------	------------



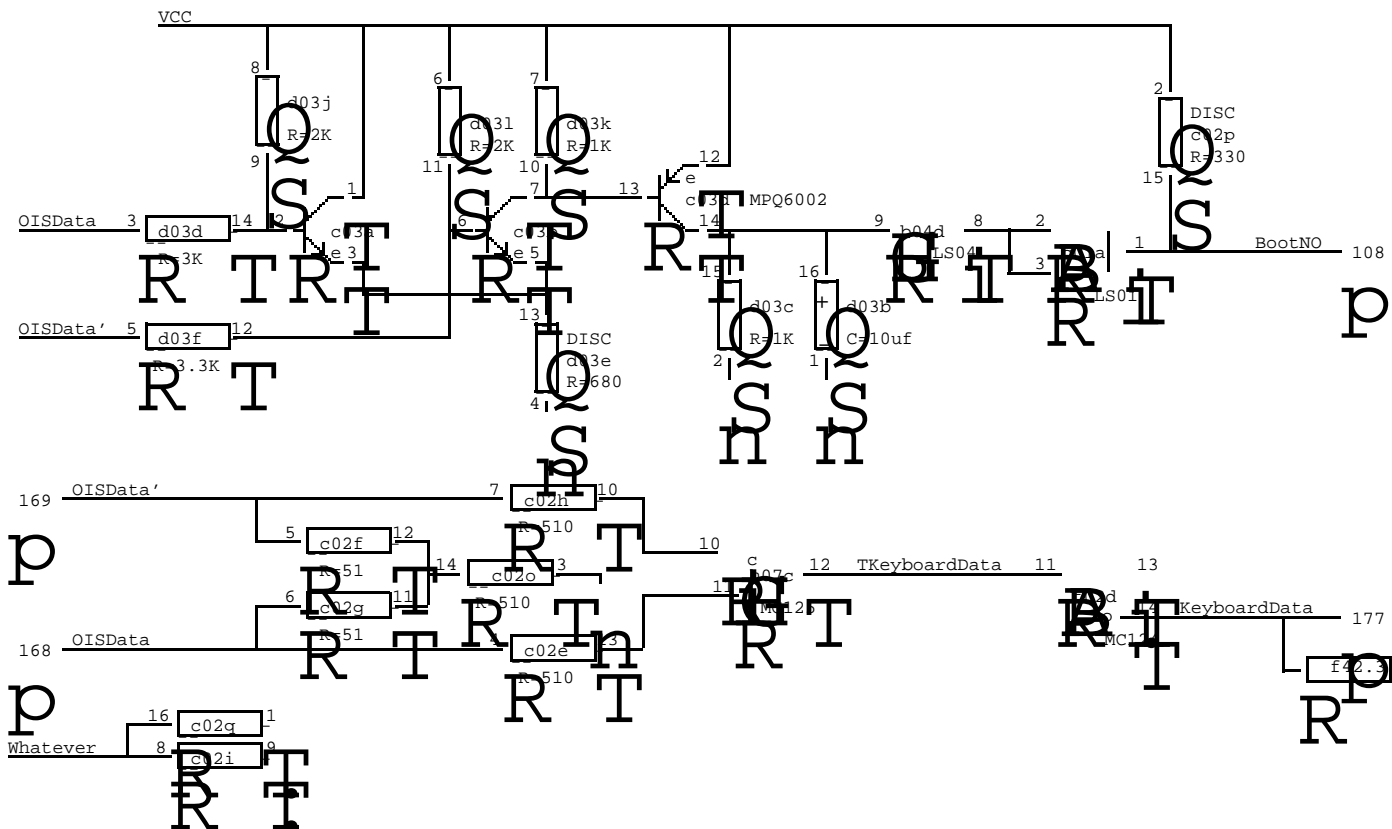
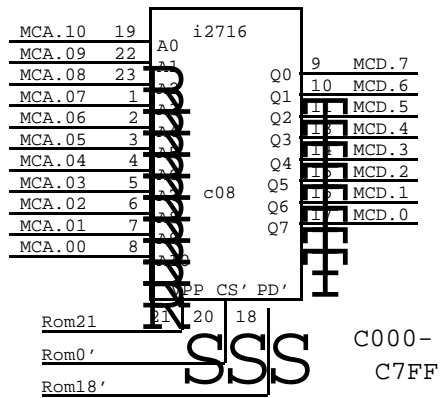
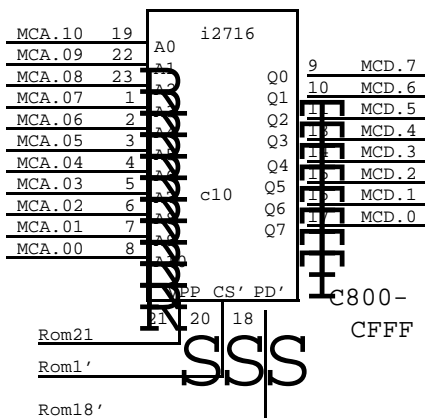
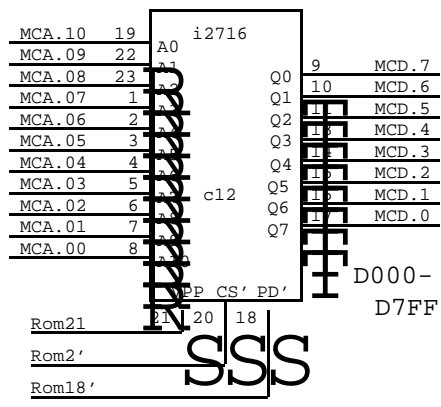
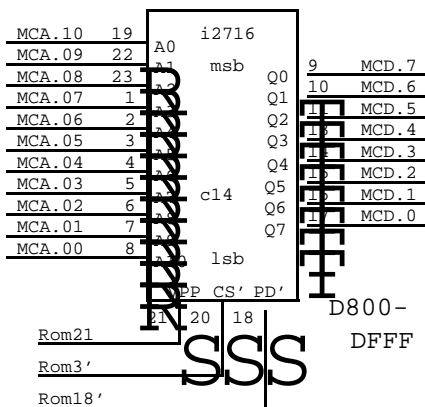
XEROX	Project	File	Designer	Rev	Date	Page
CSL	Dorado	BasebdPc10.sil	McCreight	Be	8/14/81	10





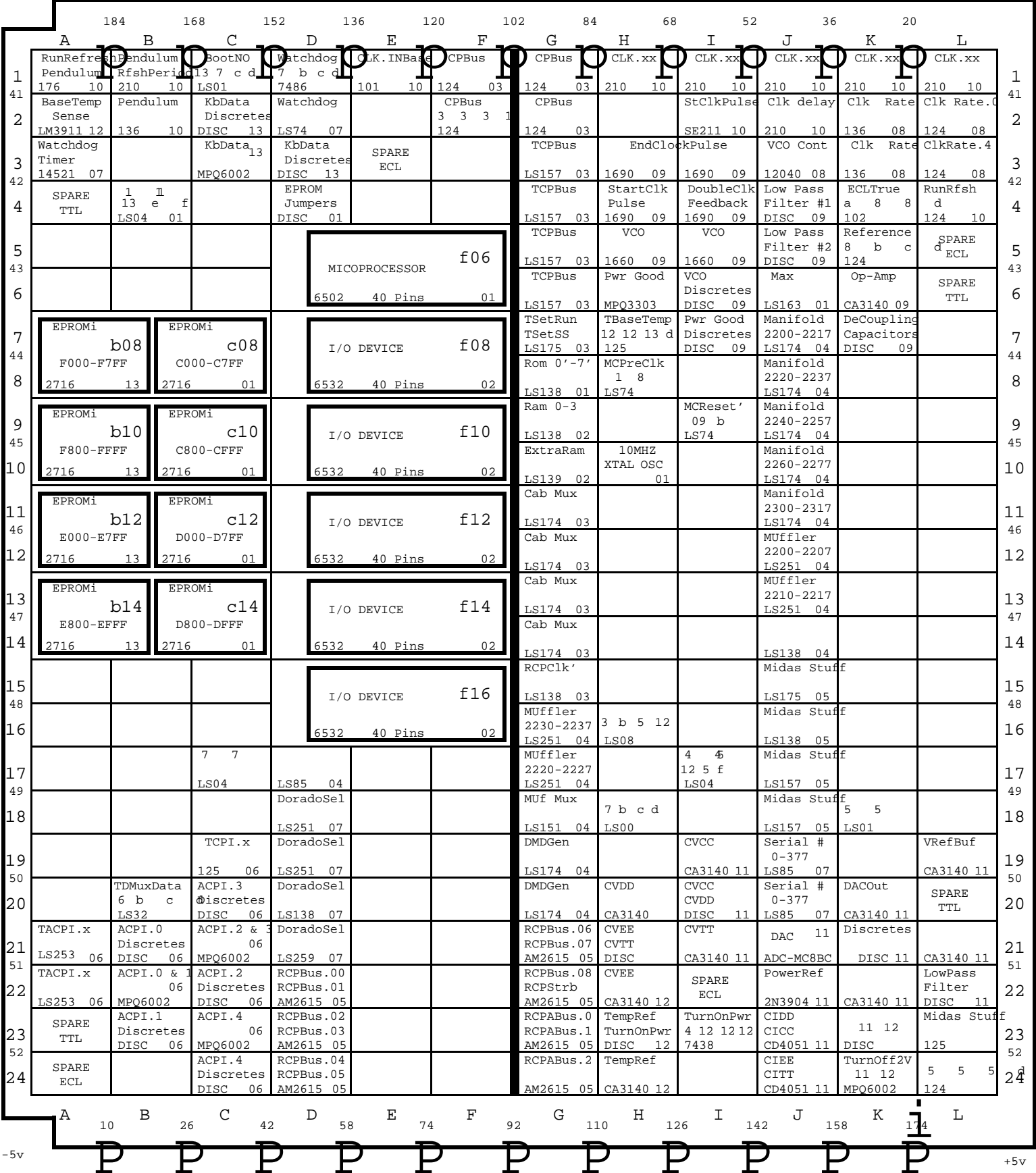
109 RcvData
 110 Collision
 111 XmtData'

Expansion EPROMS

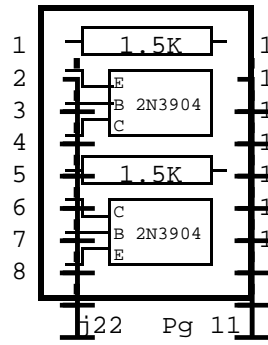
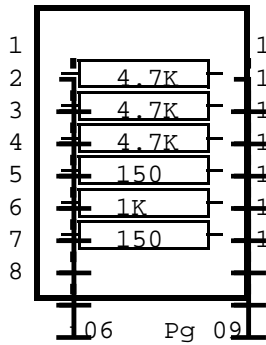
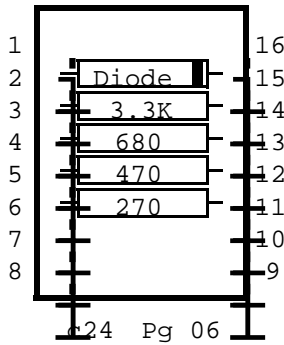
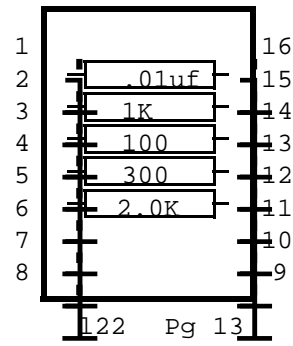
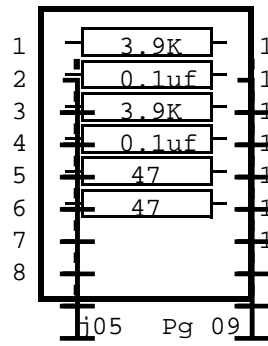
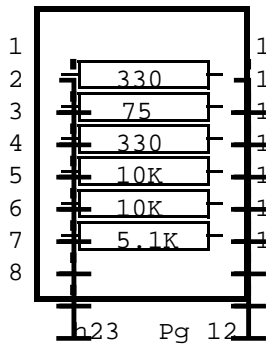
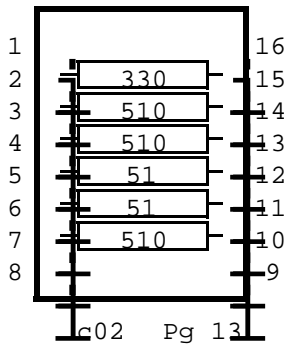
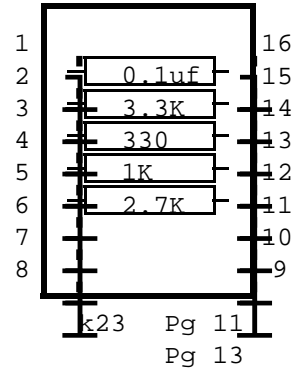
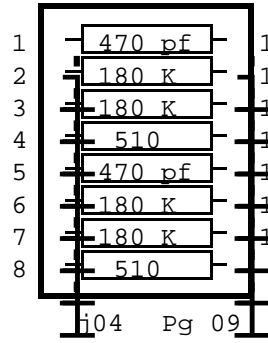
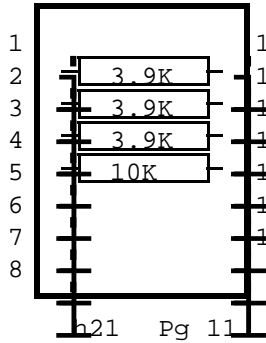
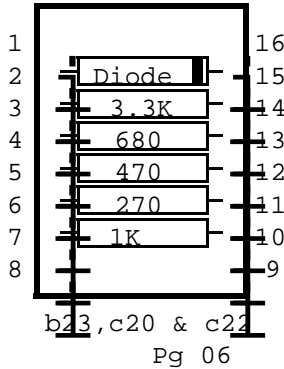
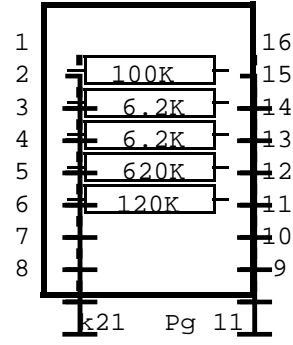
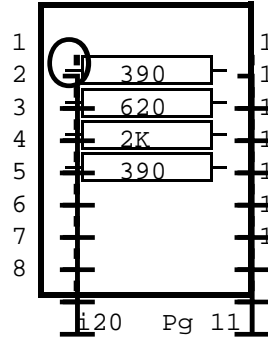
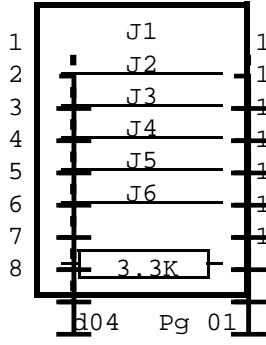
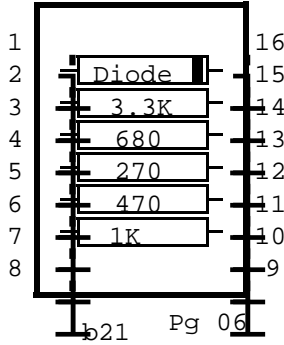
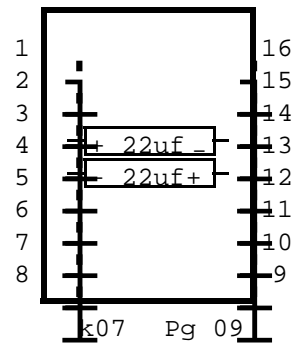
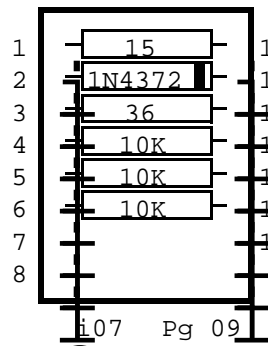
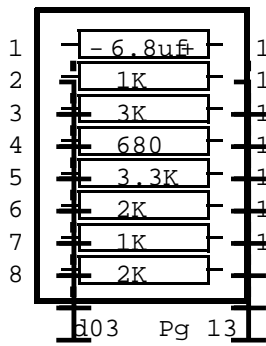
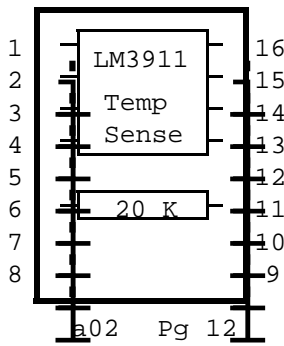


For c05

XEROX CSL	Project Dorado	Additional EPROMS & Dif Rec'er for 7 Wire In	File BasebdPc13.sil	Designer McCreight	Rev Be	Date 8/14/81	Page 13
--------------	-------------------	---	------------------------	-----------------------	-----------	-----------------	------------



XEROX CSL	Project Dorado	Reference Board Layout	File BasebdPc14.sil	Designer McCreight	Rev Be	Date 9/2/81	Page 14
--------------	-------------------	---------------------------	------------------------	-----------------------	-----------	----------------	------------



NOTES:

- 1) All diodes are HP 5082-2835 unless otherwise noted.
- 2) Location d49 is load with a modified 100ohm SIP (pins 2,4,5&7 are cut)