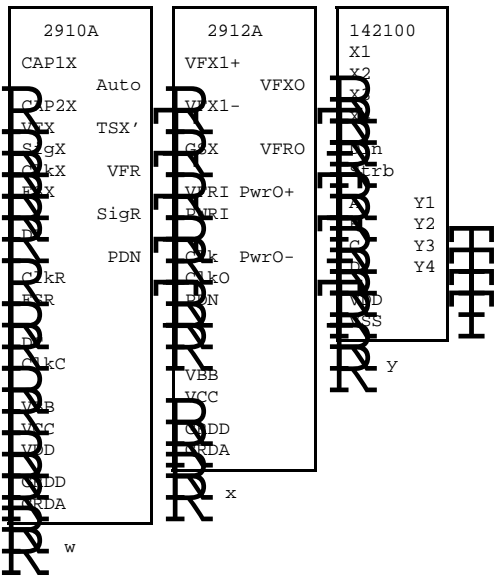


Filed on VOICElb9pictu
 (must be read in with



File: voice1b9pictures2.sil
(read in only with sil/i)