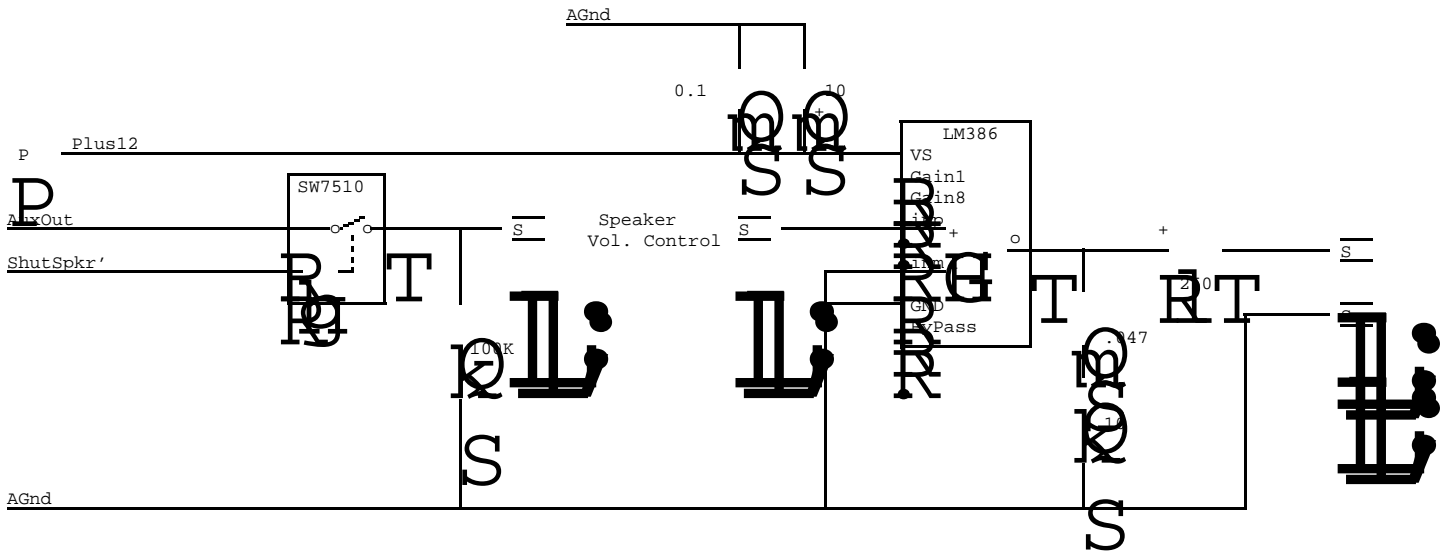
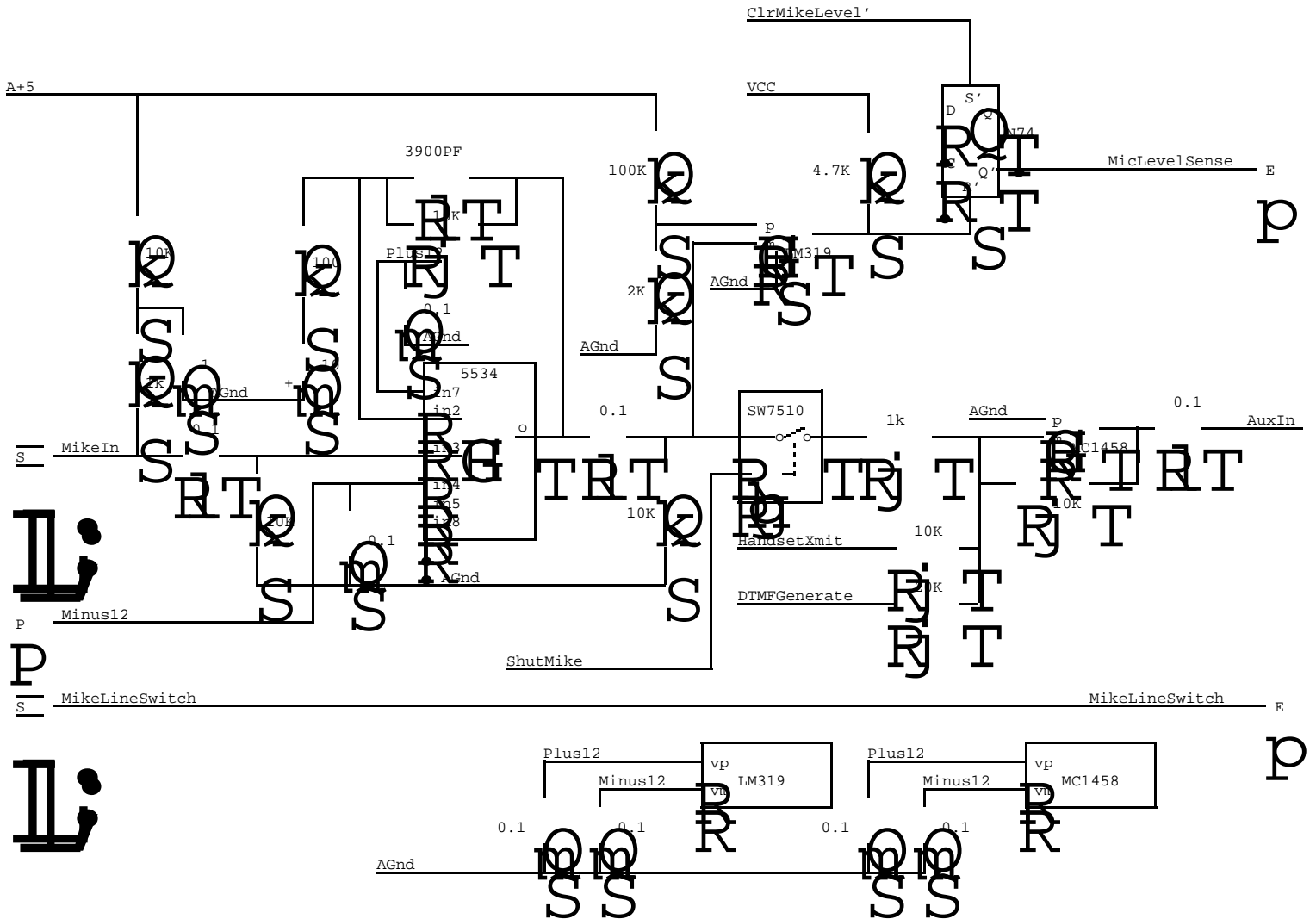


Pwr. Amp. for Spkr.

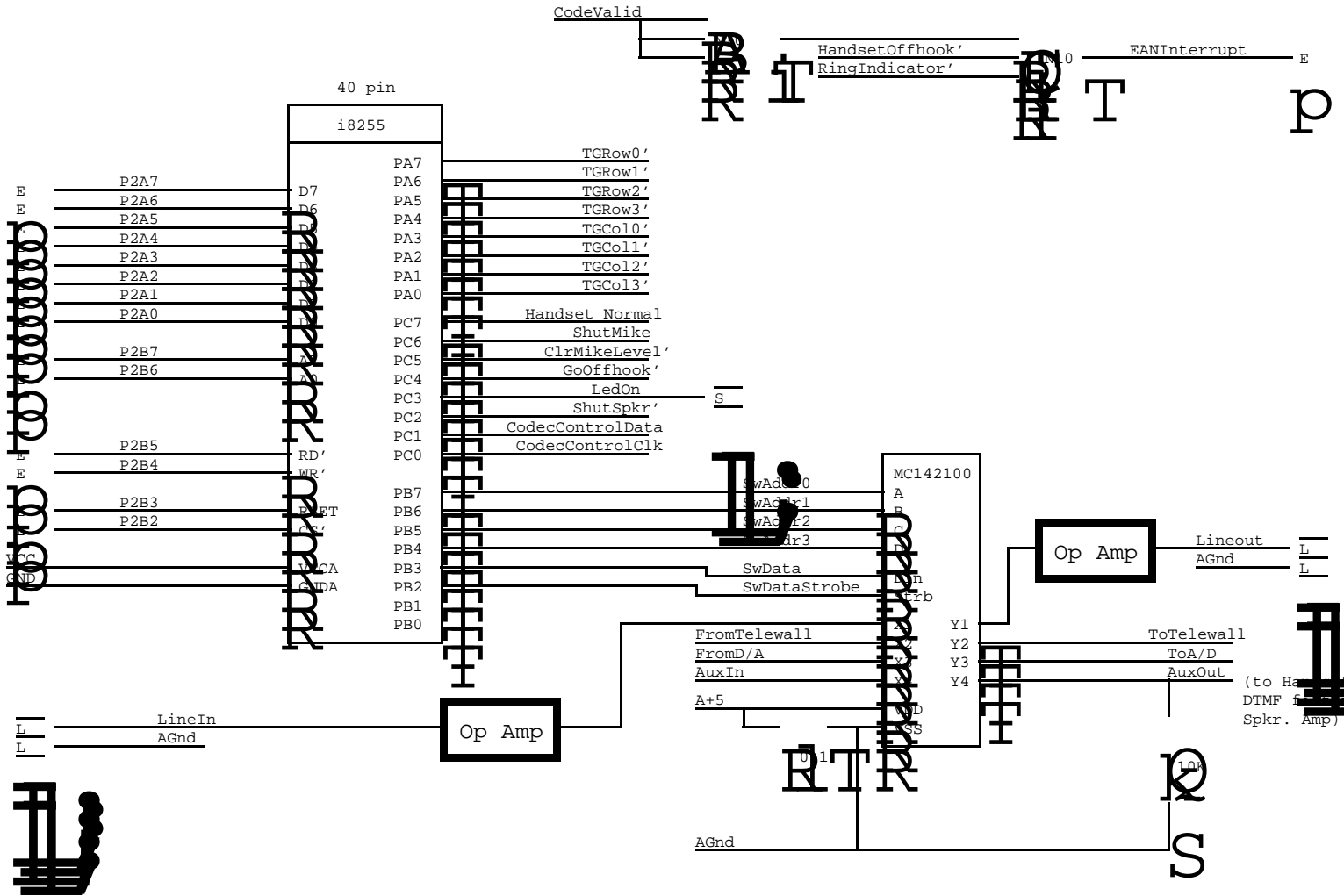


Mic Pre-Amp & Summing Amplifier

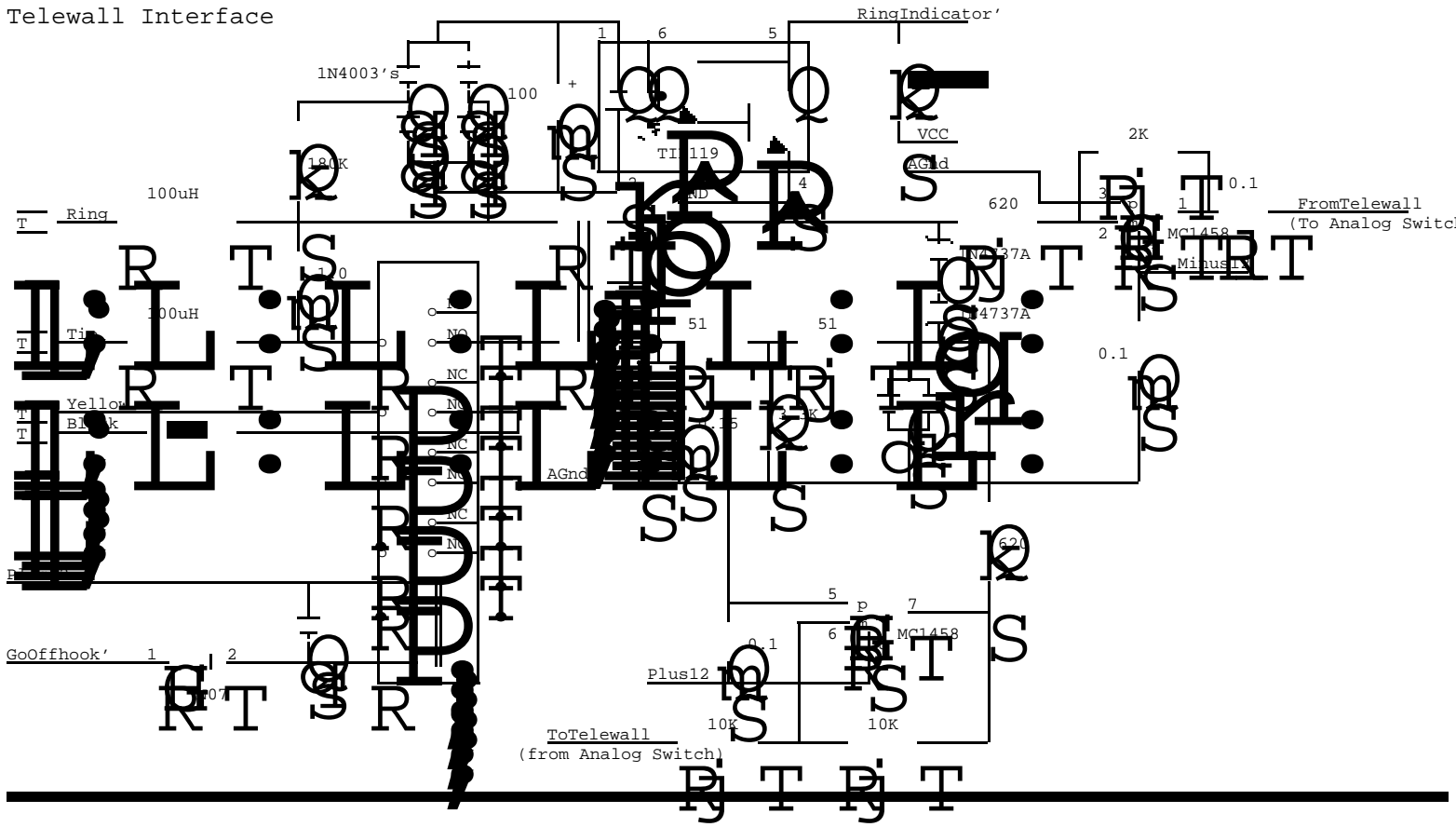


XEROX PARC	Project Voice	Drawing Power Amplifier and Mic Pre-Amp	File EAN01.sil	Designer S. Ornstein L. Stewart	Rev Aa	Date 4/13/82	Page 01
---------------	------------------	---	-------------------	---------------------------------------	-----------	-----------------	------------

Analog Switch and Digital Control

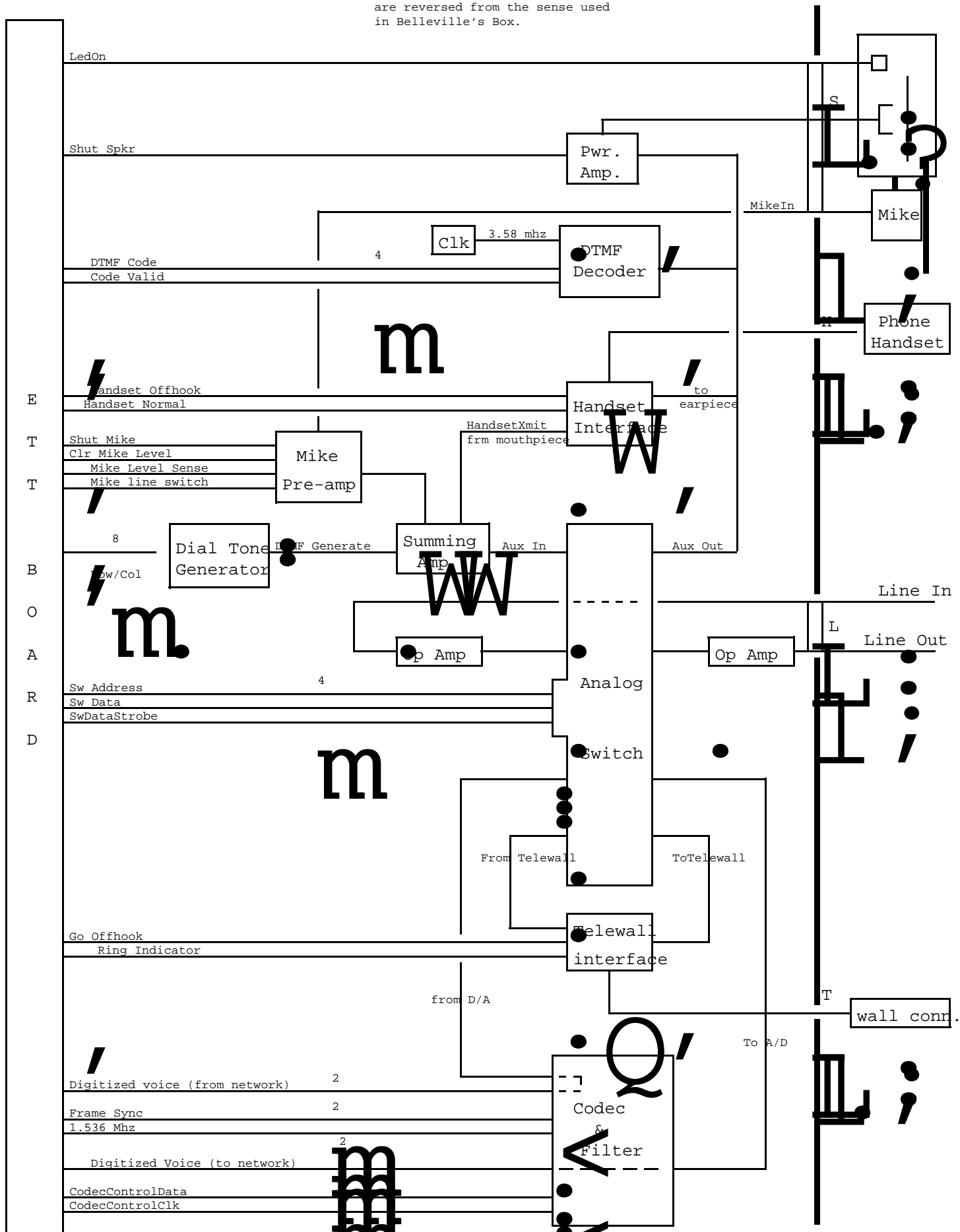


Telewall Interface



XEROX PARC	Project Voice	Drawing Telewall Interface	File EAN04.sil	Designer S. Ornstein L. Stewart	Rev Aa	Date 5/27/82	Page 04
---------------	------------------	-------------------------------	-------------------	---------------------------------------	-----------	-----------------	------------

NOTE: The terms "In" and "Out" are reversed from the sense used in Belleville's Box.



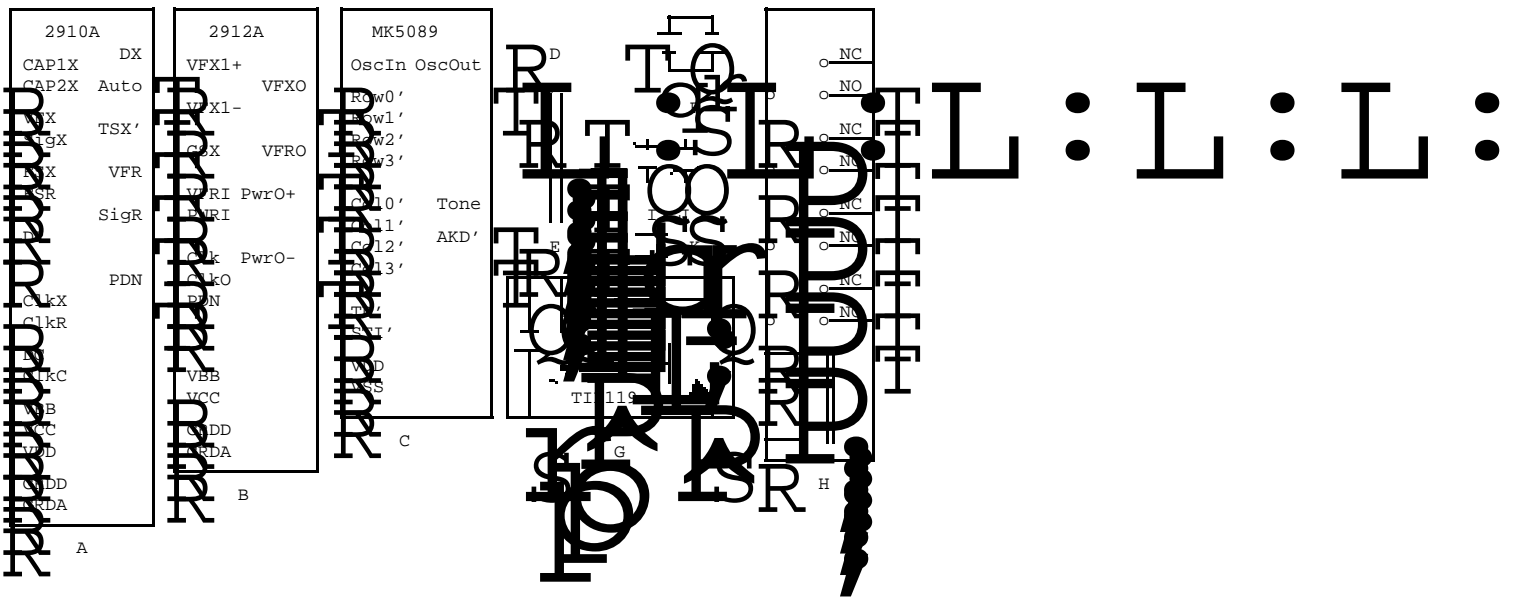
FONT 8

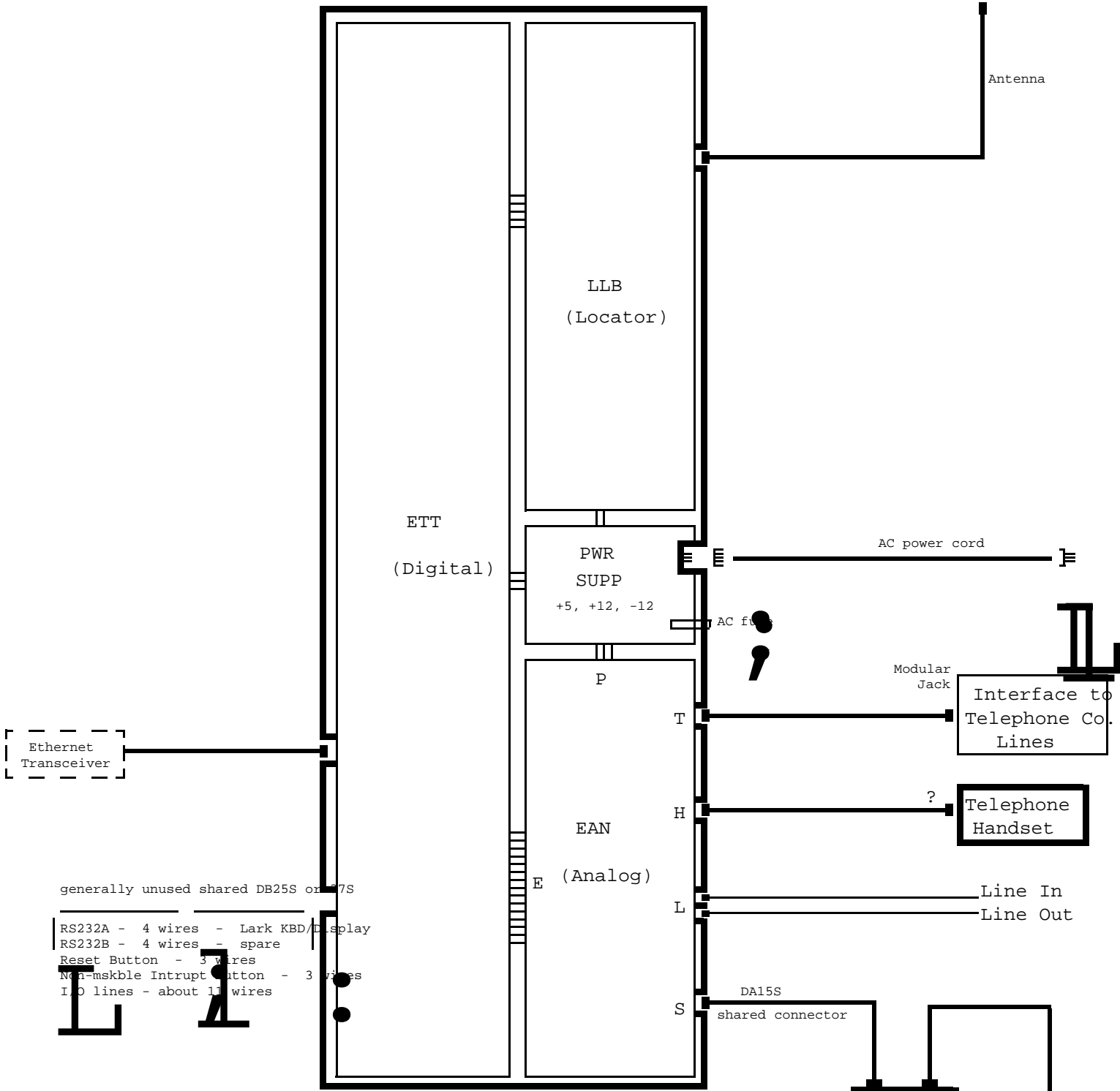
A 2910A Codec
 B 2912A PCM Filter
 C MK5089 Tone dialer (DTMF)
 D inductor (horizontal)
 E Transformer (w. center-tap)
 F varistor
 G TIL119 (opto-isolator)
 H 4PDT relay
 I zener (up)
 J zener (down)
 K —



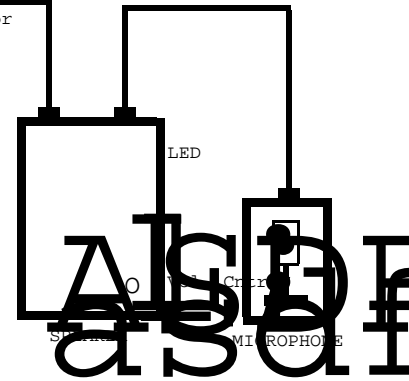
FONT 9

A 8088
 B DMA
 C Clock
 D Pri Int
 E SLC
 F Xceivr
 G USART
 H NOT IN DICT
 I 26LS31
 J Ser Contrlr.
 K 2Kx8 RAM H6116P
 L Timer
 M DES M = Multiplexed
 N Latch, non inverting
 O Inverting Xcvr
 P Latch, inverting
 Q LS240
 R Direct control
 S LS244, LS241 (low enable)
 T PIO
 U Timer
 V 26LS31 26LS32
 W 26LS32
 X (ENC)
 Y LS241, high enable
 Z 2964B
 a i2764
 b 64 k ram
 c delay line
 d 8203
 e bypass capacitor
 f horizontal resistor
 g vertical resistor
 h horizontal capacitor
 i vertical capacitor
 j down diode
 k up diode
 l left diode
 m right diode
 n SW7510
 o LM386 (see pg.10-55 of McCreight's
 National Linear Book)
 p 5534 ????? - needs pin names
 q LM319
 r MC1458
 s LM319/MC1458 enable
 t MC142100
 u MT8865 DTMF filter
 v MT8860 DTMF Detector



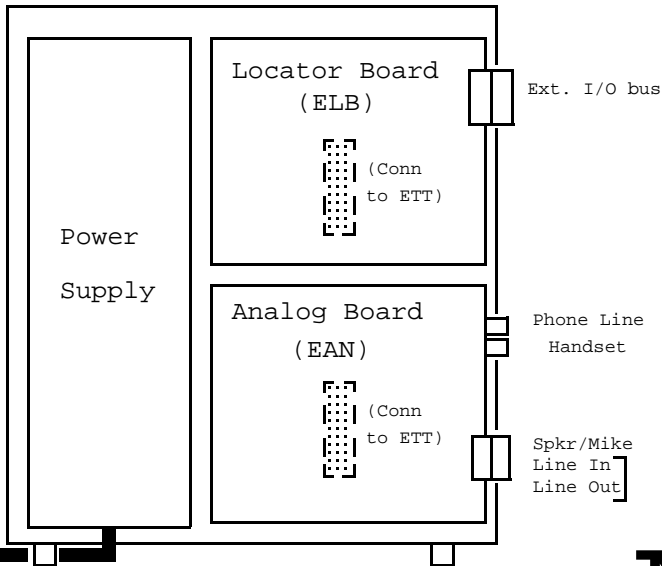
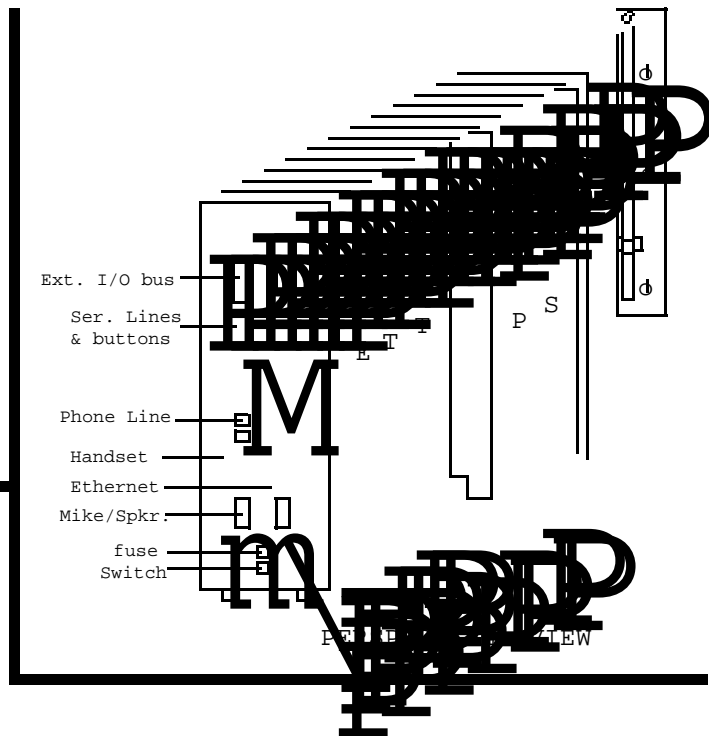
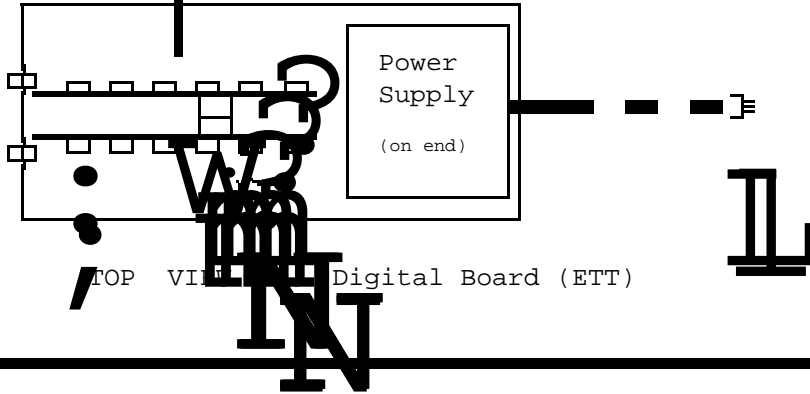


ETHERPHONE



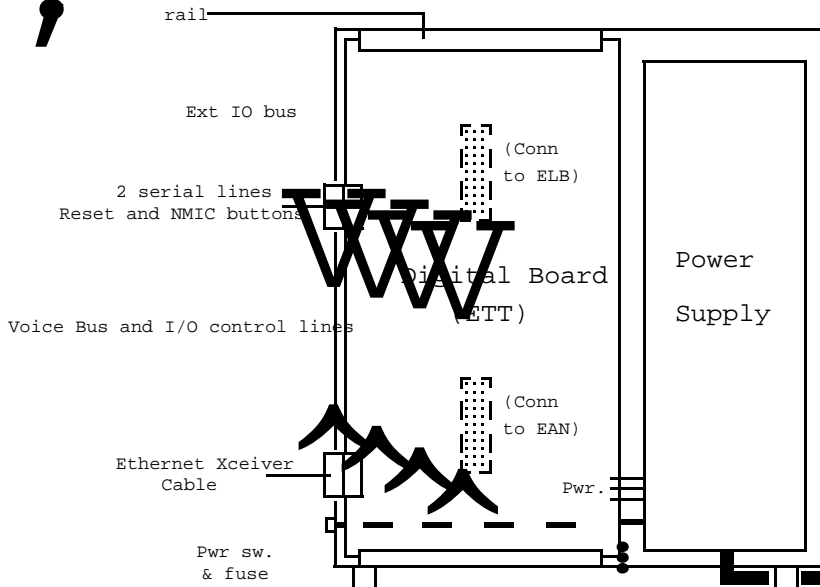
Analog and Locator Boards

Inter-board connections (direct mother/daughter)



SIDE VIEW
(Analog and Locator Board Side)

2 paralleled Line In and
2 paralleled line out jacks
mounted on speaker



SIDE VIEW
(ETT Board side)

Notes:

- ETT board rides in rails on frame
- EAN and ELB boards mount as daughters onto ETT Motheboard
- Entire Etherphone box can either sit on feet on horizontal surface or be hung on a swinging wall-mount (as shown in Perspective view).

THIS IS EAN1b8.sil

Q
R
S
F

THIS IS EAN1b9.sil