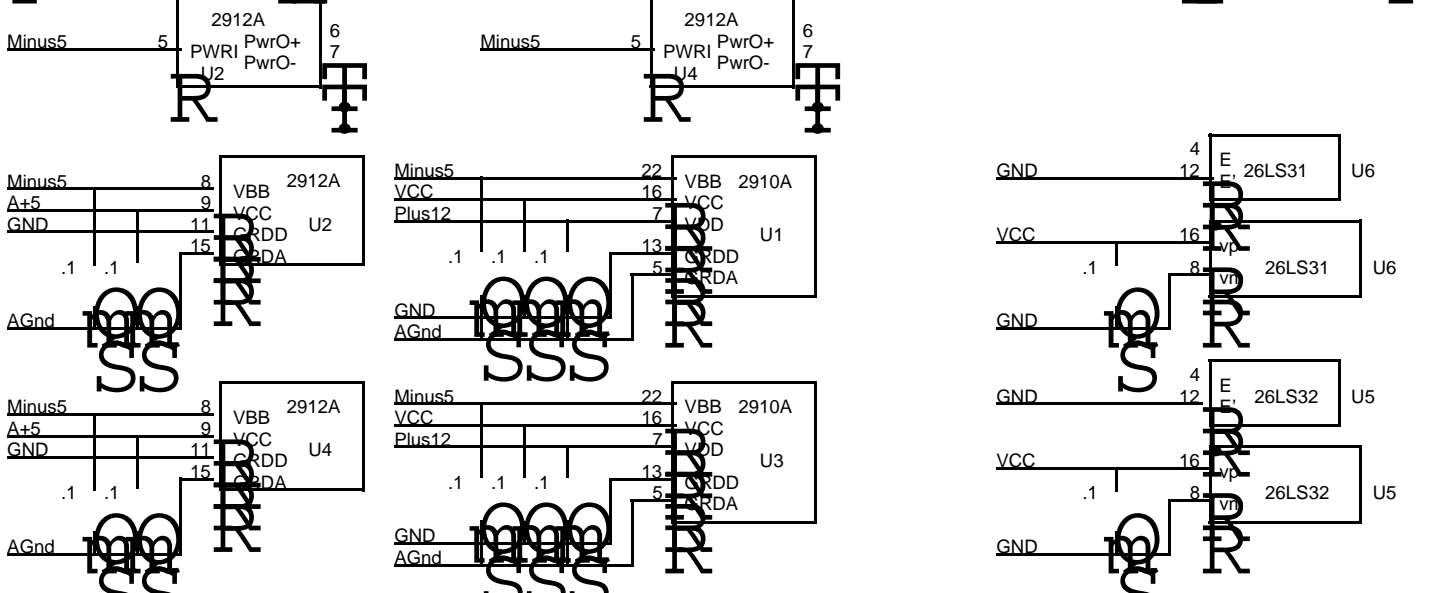
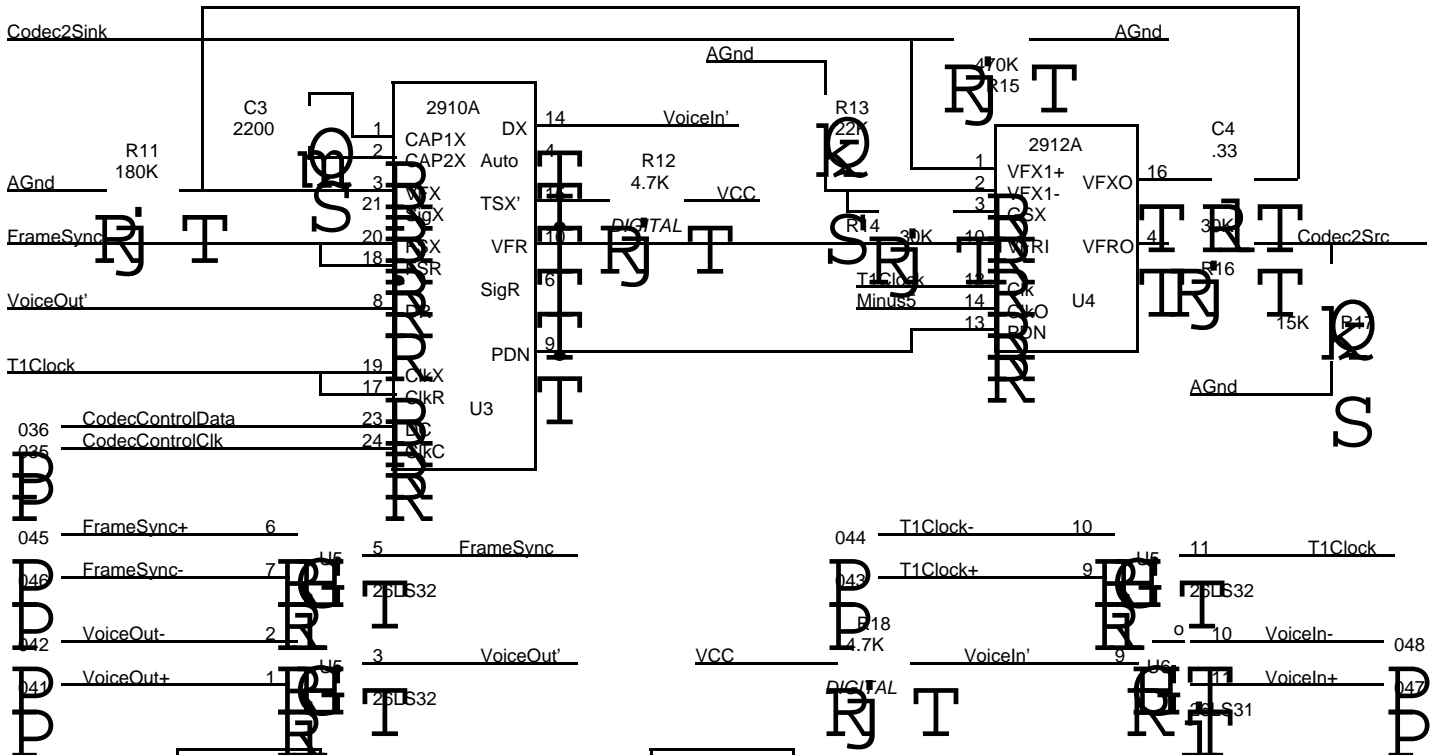
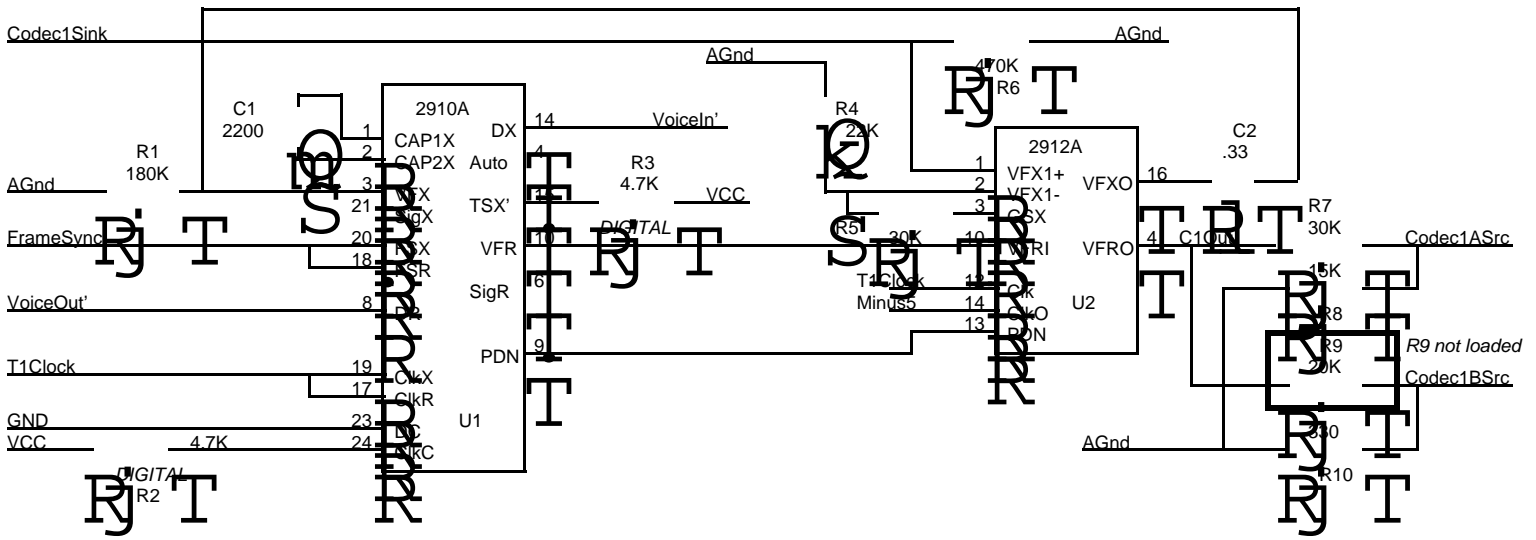
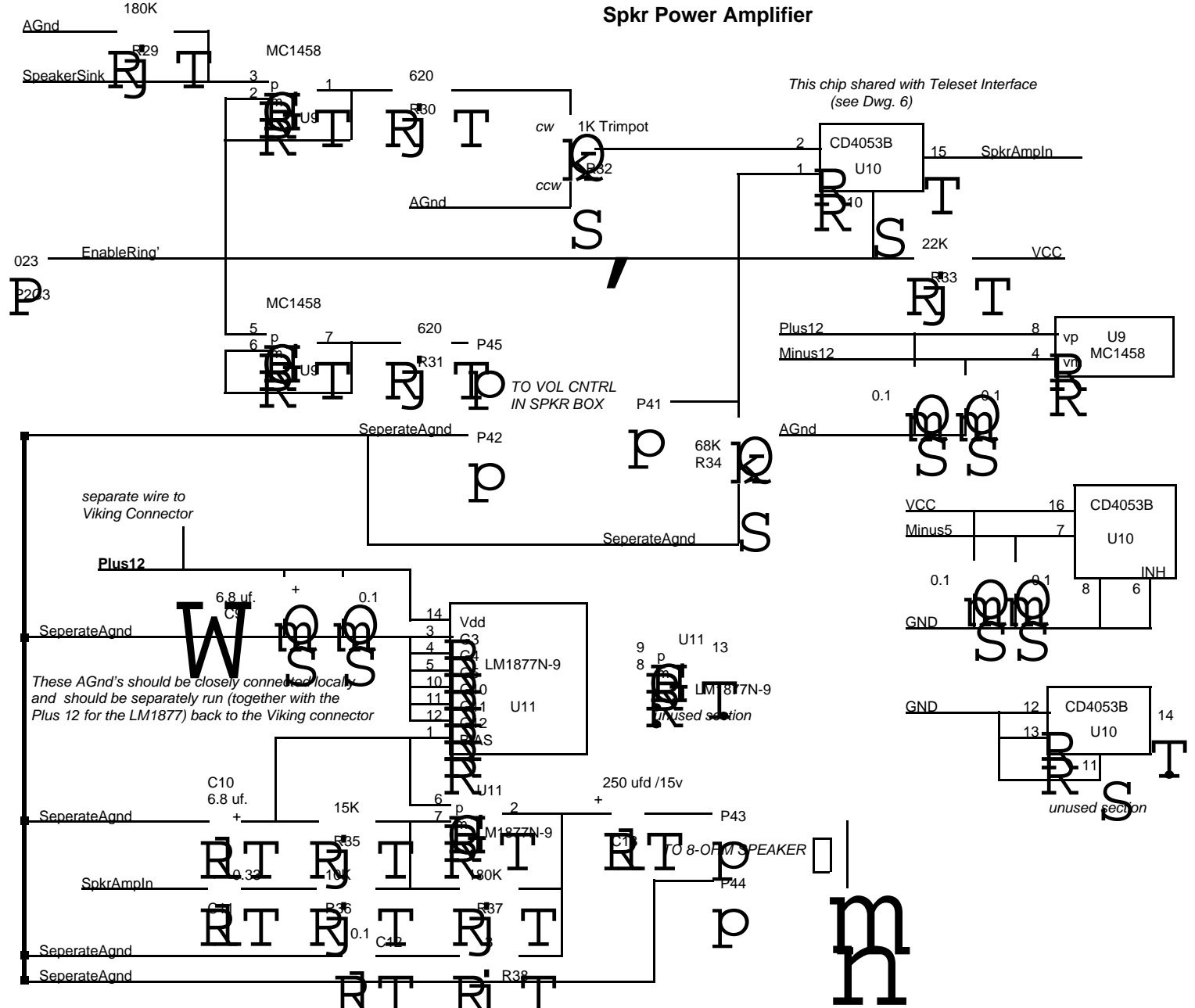
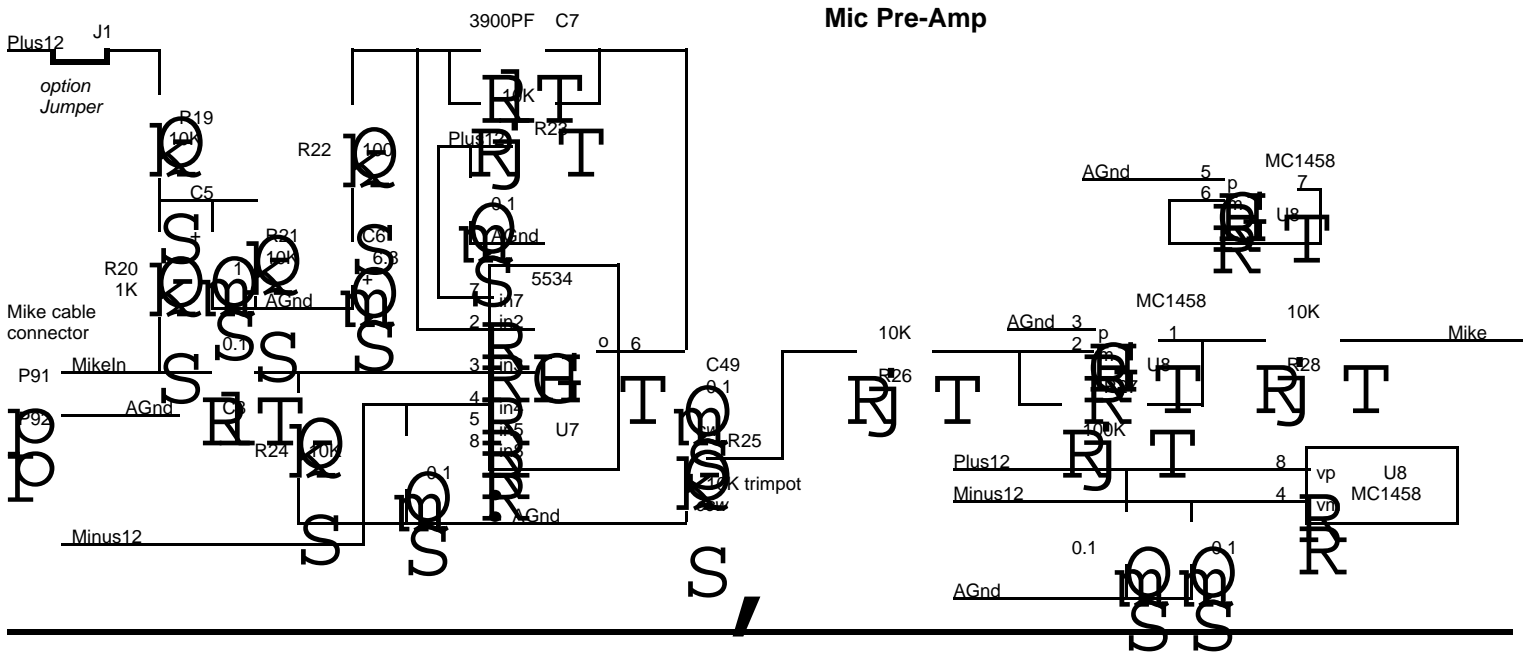


L A R K ANALOG BOARD

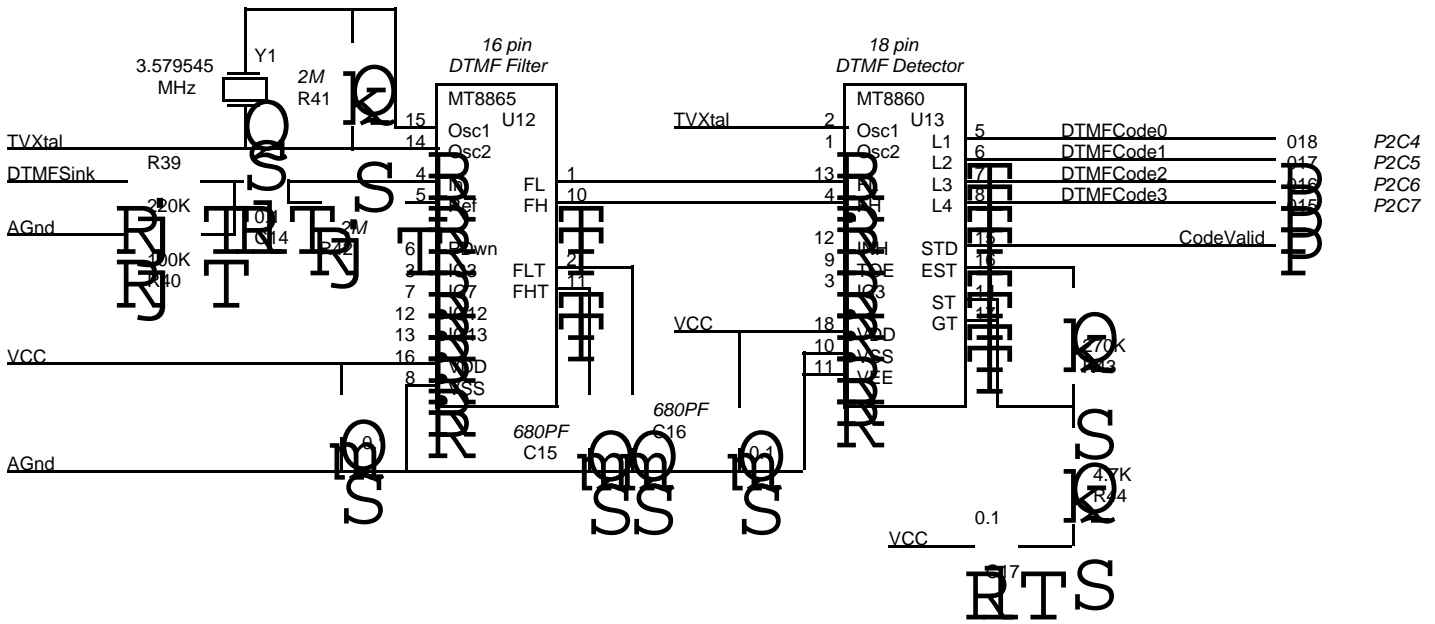
Table of contents

<u>TITLE</u>	<u>Page</u>
Codecs _____	01
Pwr. Amp. and Mike Pre-Amp. _____	02
DTMF and Line In/Out _____	03
Analog Switch _____	04
Telewall Interface _____	05
Teleset Interface _____	06
Digital Logic and -5 volt Supply _____	07
Analog/Digital Connections _____	08
Lark - ETT Analog Cable _____	09

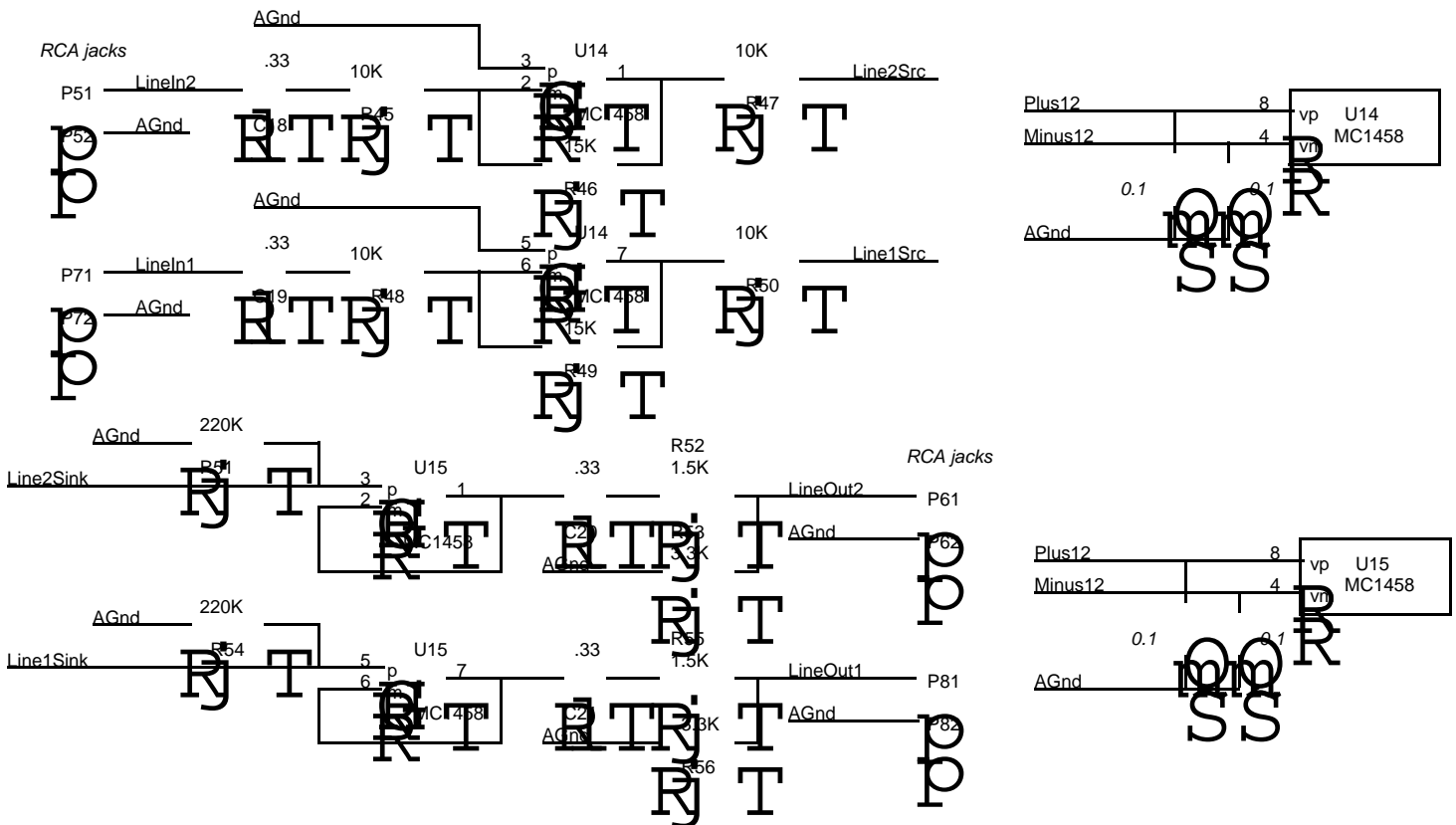


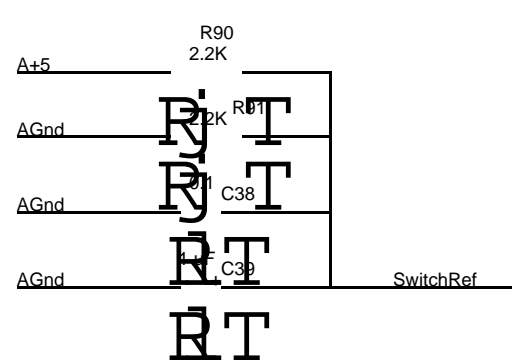
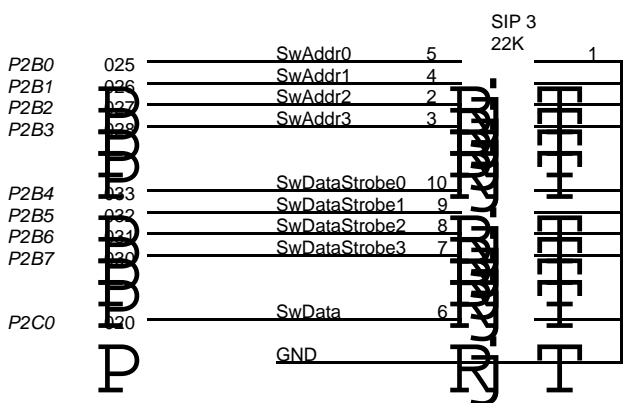
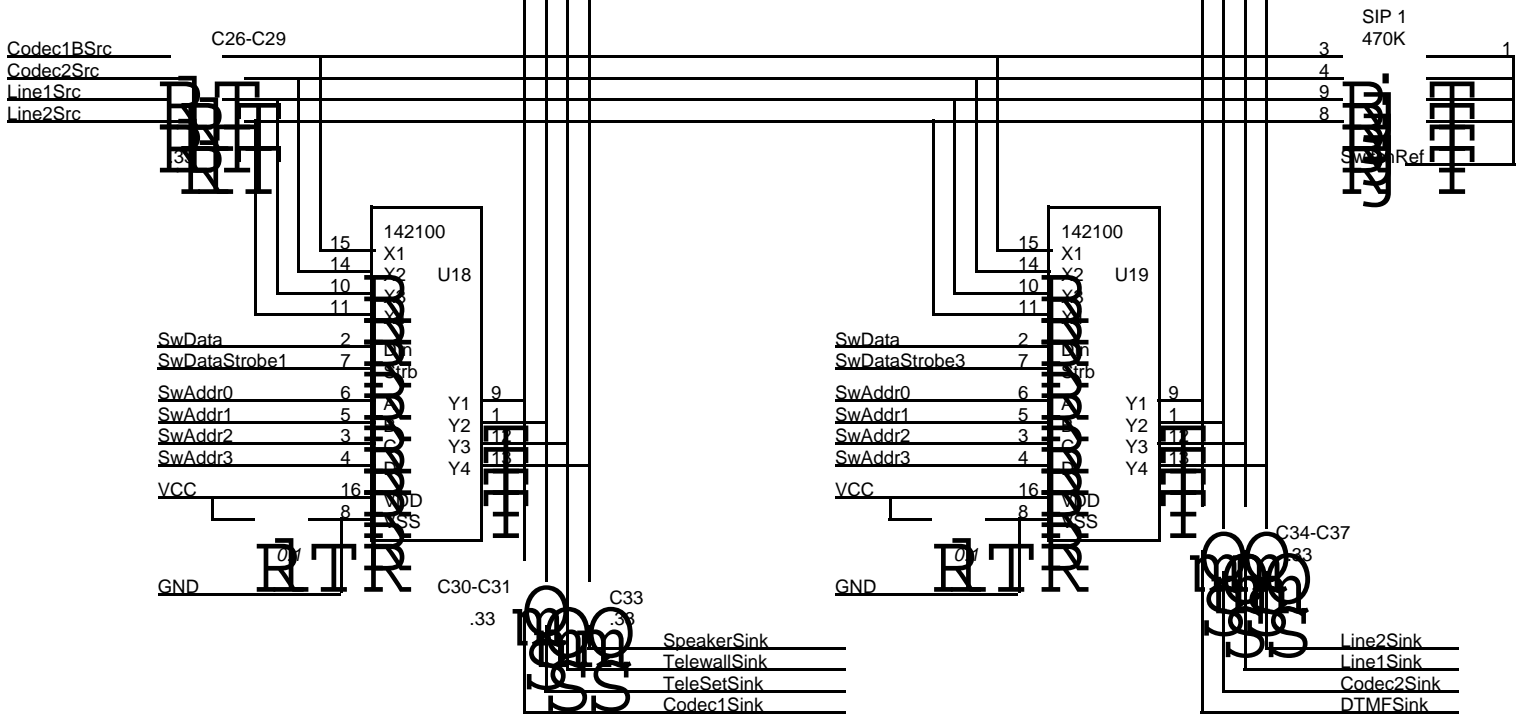
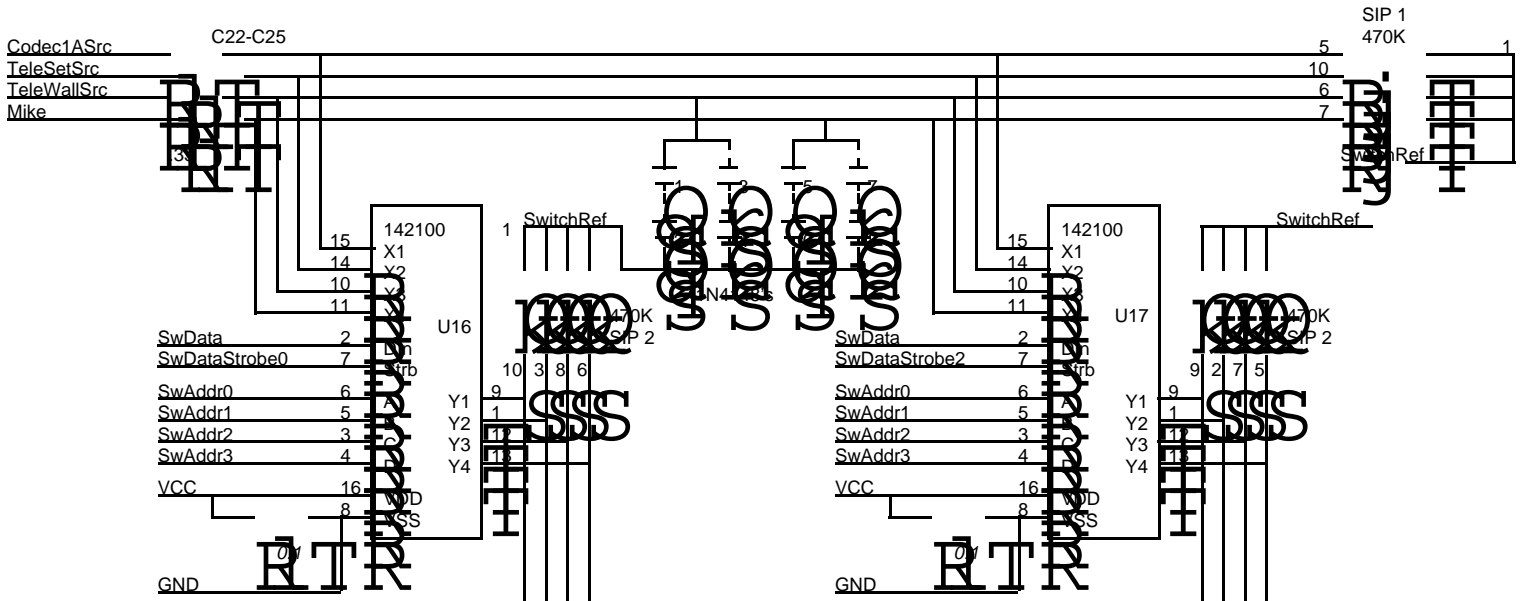


DTMF Detector/Filter

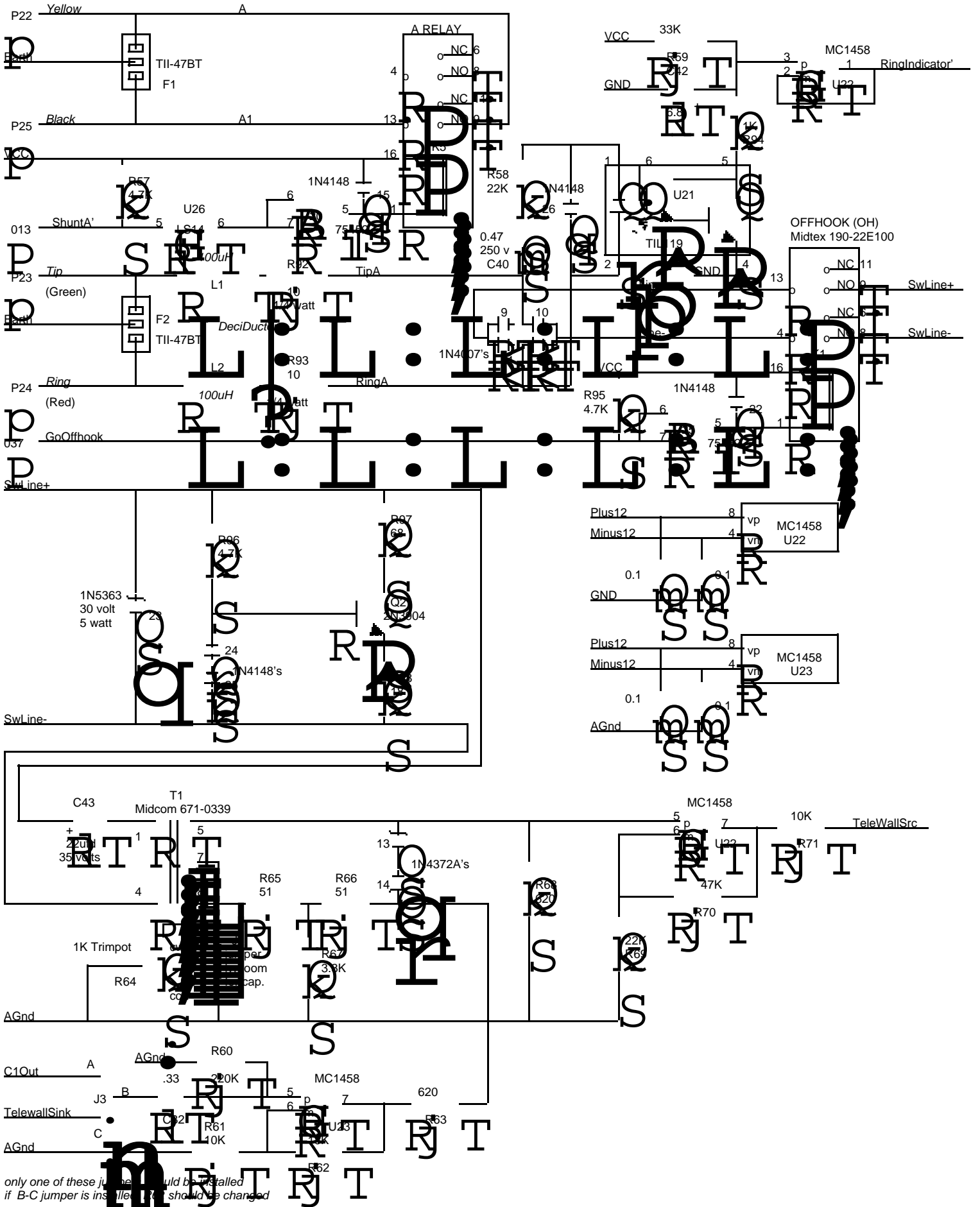


Line In/Line Out

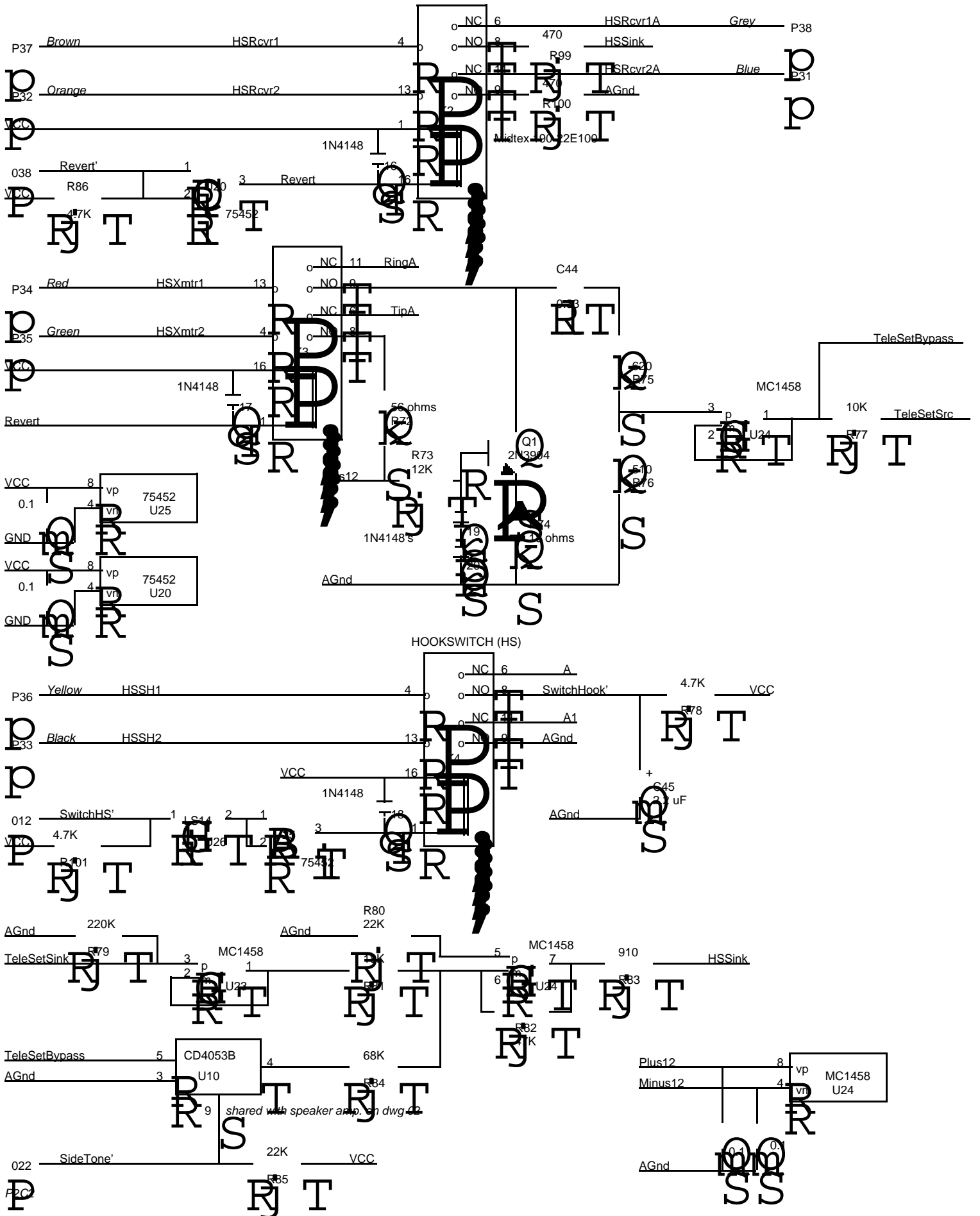


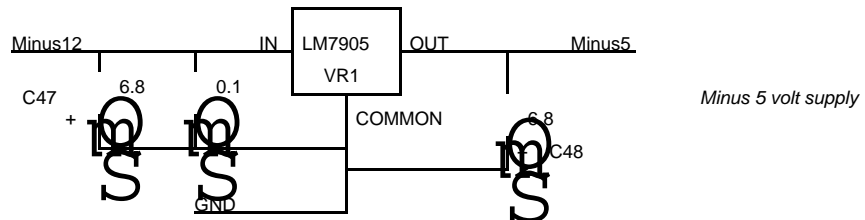
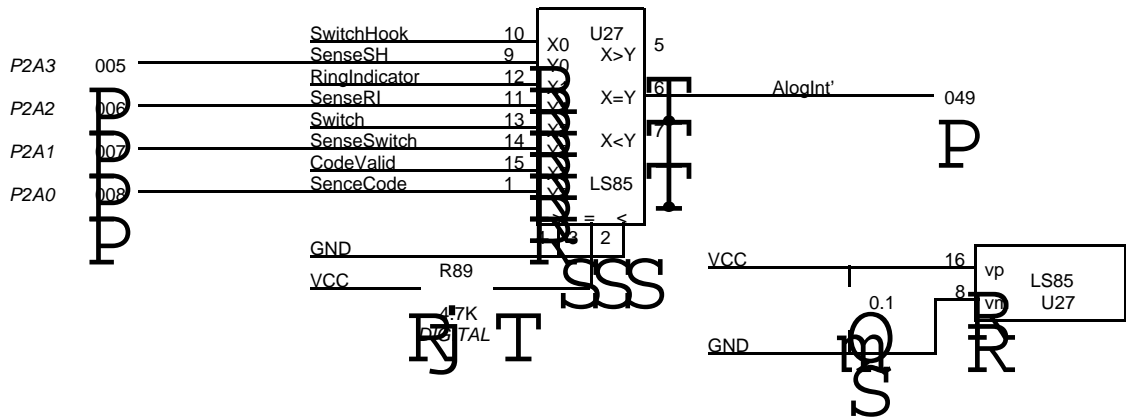
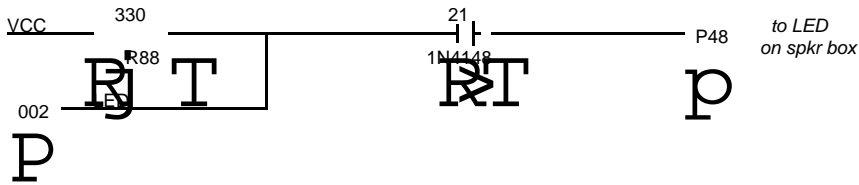
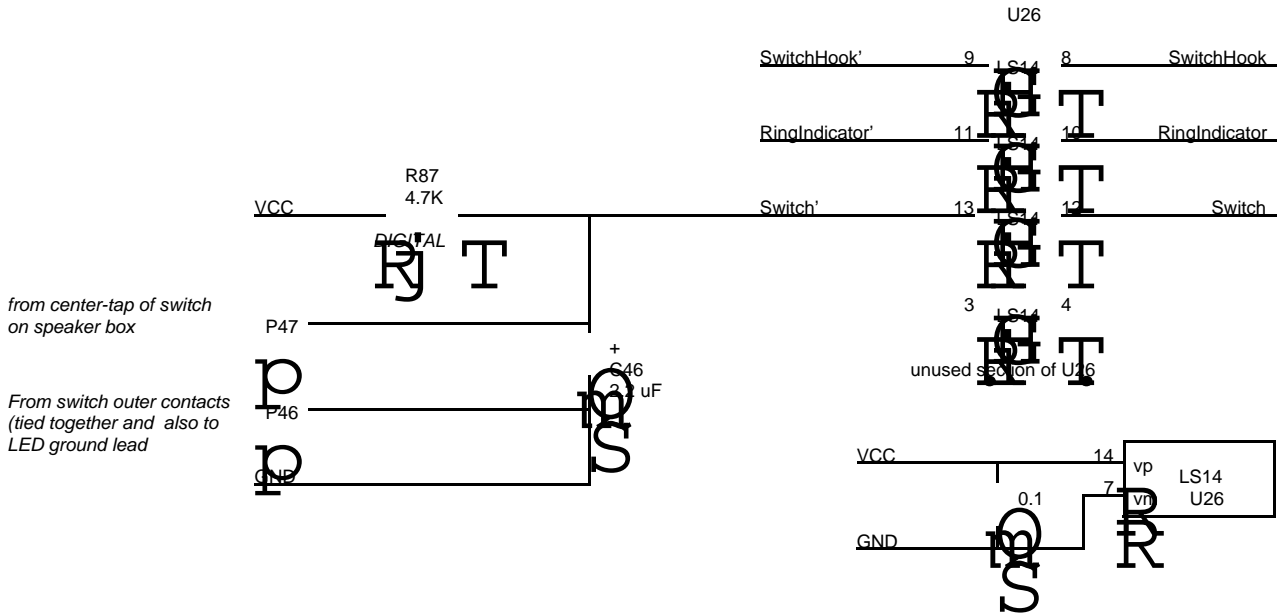


Pointed connections are for cable to TeleWall
 Pins 1 and 6 (of 6-pin modular connector) are not used



Pointed connections are for cable to Teleset





Function on Digital Board
ETT

Function on Analog Board
EAP

C50
6.8

Pin # on Viking
Inter-board Connector P3



Pin # on Multibus ETT board	wire color of cable from Multibus board to prototype analog board	Function on Digital (ETT) board	Function on Analog (EAP) board	Pin # on Viking Inter-board connector P3
401	Black	GND	GND	34
402	White	P2A7	Revert'	38
403	Slate	P2A6	GoOffHook	37
404	Violet	P2A5	CodecControlData	36
405	Blue	P2A4	CodecControlClock	35
406	Green	GND	GND	33
407	Yellow	P2A3	SenseSH	32
408	Orange	P2A2	SenseRI	31
409	Red	P2A1	SenseSwitch	30
410	Brown	P2A0	SenseCode	29
411	Black	GND	GND	14
412	White	P2C7	DTMFCode3	15
413	Slate	P2C6	DTMFCode2	16
414	Violet	P2C5	DTMFCode1	17
415	Blue	P2C4	DTMFCode0	18
416	Green	GND	GND	13
417	Yellow	P2C3	EnableRing'	22
418	Orange	P2C2	SideTone'	21
419	Red	P2C1	SPARE	20
420	Brown	P2C0	SwData	19
421	Black	GND	GND	29
422	White	P2B7	SwDataStrobe3	20
423	Slate	P2B6	SwDataStrobe2	19
424	Violet	P2B5	SwDataStrobe1	18
425	Blue	P2B4	SwDataStrobe0	17
426	Green	GND	GND	16
427	Yellow	P2B3	SwAddr3	15
428	Orange	P2B2	SwAddr2	14
429	Red	P2B1	SwAddr1	13
430	Brown	P2B0	SwAddr0	12
431	Black	GND	GND	9
432	White	P1C7	SPARE	6
433	Slate	P1C6	SPARE	5
434	Violet	P1C5	SwitchHS'	4
435	Blue	P1C4	ShuntA'	3
436	Green	GND	GND	2
437	Yellow	SetAlogIntA'	SPARE	1
438	Orange	SetAlogIntB'	SPARE	1
439	Red	SetAlogIntC'	SPARE	1
440	Brown	SetAlogIntD'	AlogInt'	1
441	Black	GND	GND	3
442	White	LED	LED	3
443	Slate	FrameSync-	FrameSync-	3
444	Violet	FrameSync+	FrameSync+	3
445	Blue	VoiceIn-	VoiceIn-	3
446	Green	VoiceIn+	VoiceIn+	3
447	Yellow	VoiceOut-	VoiceOut-	3
448	Orange	VoiceOut+	VoiceOut+	3
449	Red	T1Clock-	T1Clock-	3
450	Brown	T1Clock+	T1Clock+	3
MULTIBUS BOARD ONLY		+12 volts	+12 volts	3
		-12 volts	-12 volts	3
		+5 volts	+5 volts	3
		GND	GND	3
		SPARE	SPARE	3
		SPARE	SPARE	3