

D I C E N T R A S C H E M A T I C S

M a i n t e n a n c e P a n e l

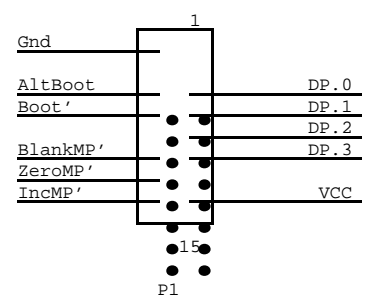
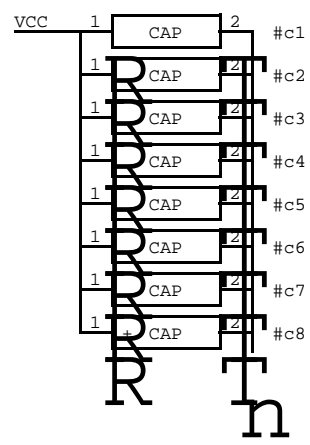
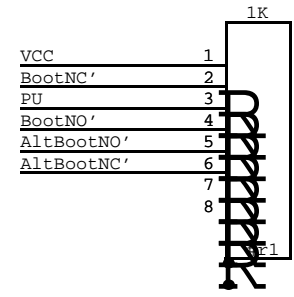
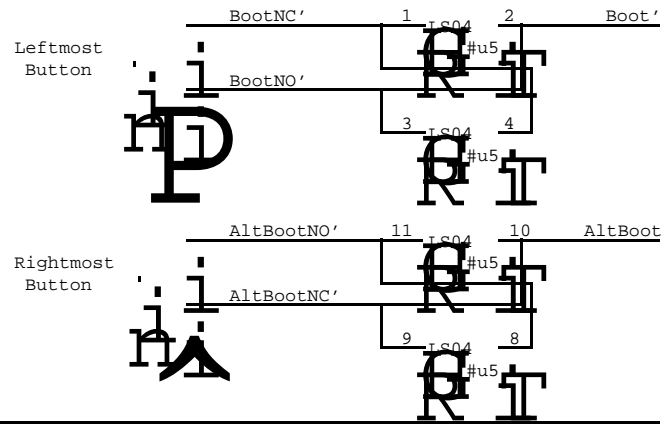
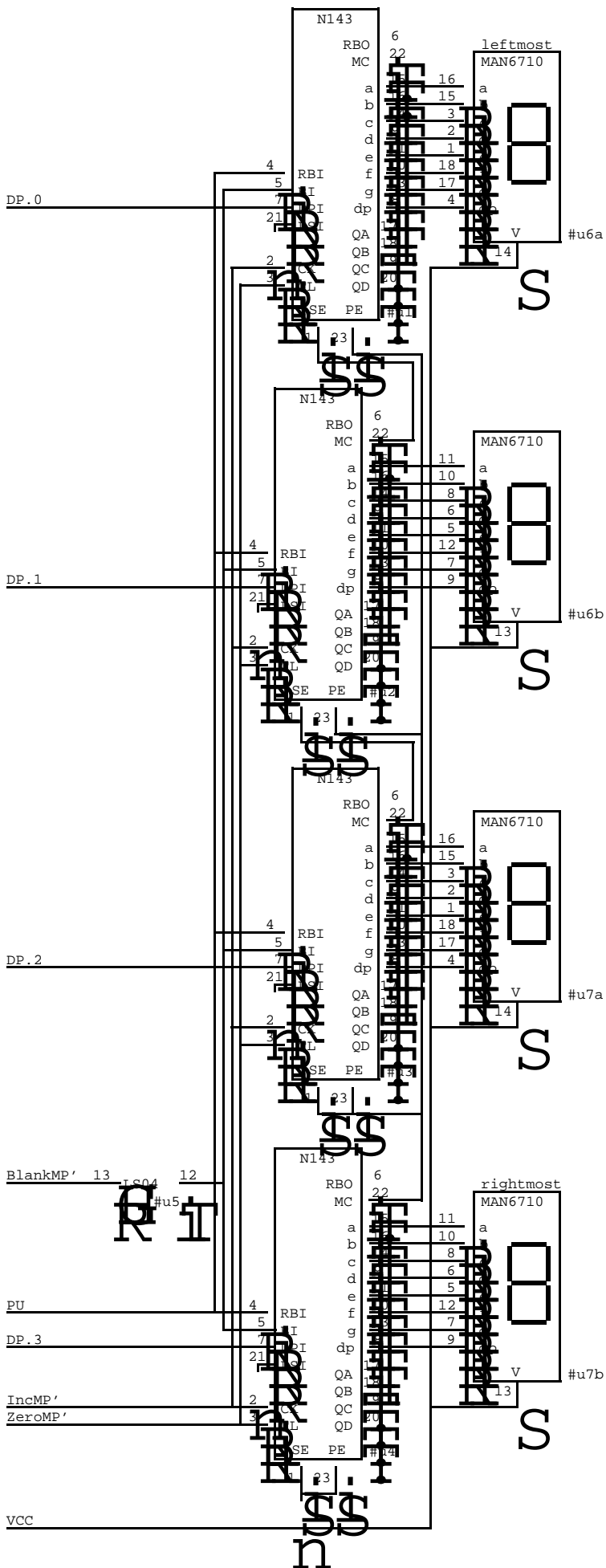
Table of contents

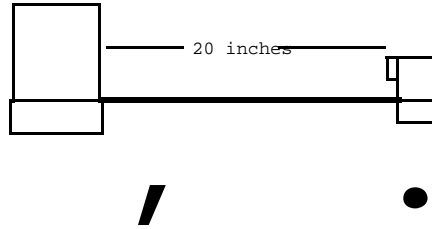
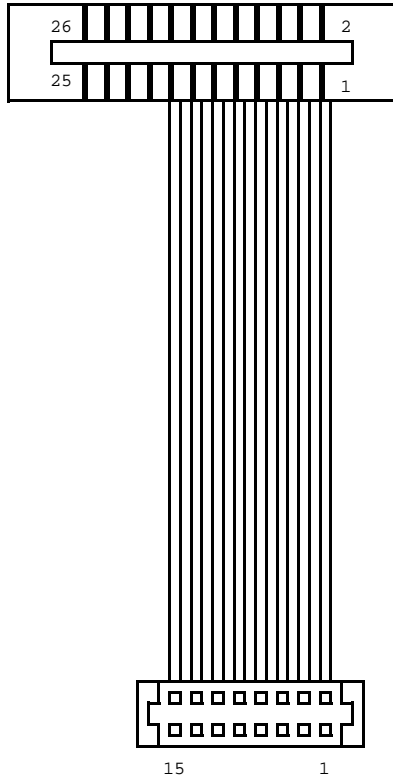
<u>TITLE</u>	<u>PAGE</u>
Maintenance Panel _____	1
MP-CP Cable _____	2
Parts List _____	3
Fabrication Drawing _____	4
Assembly Drawing _____	5

These drawings use the following [SIL] User.cm parameters:

- 0: Helvetica10
- 1: Helvetica7
- 2: Template64
- 3: Gates32
- 5: Dicentra.lb5
- 6: Dicentra.lb6
- 7: Dicentra.lb7
- 8: Dicentra.lb8
- A: Dicentra.Analyze
- Y: 712

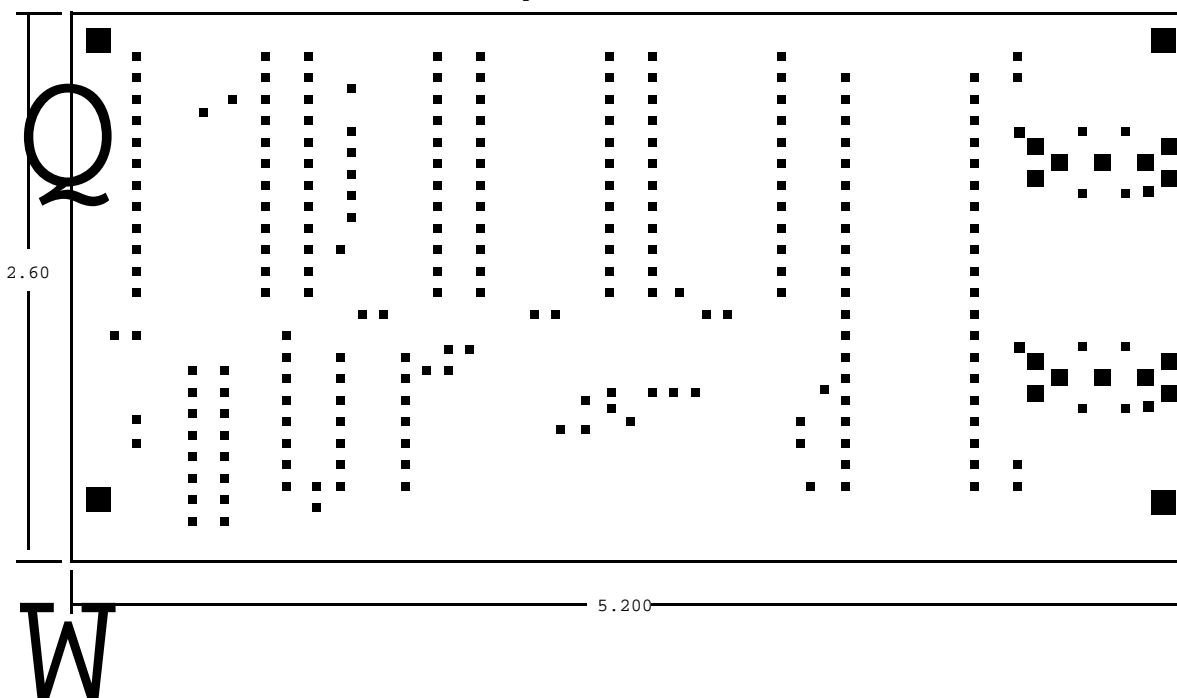
All files are kept on [Indigo]<Dicentra>





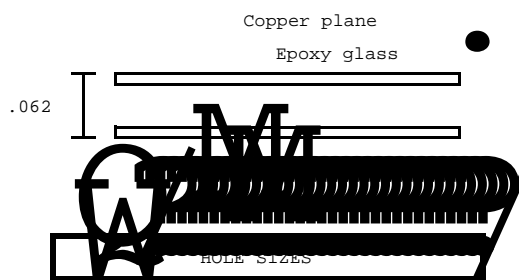
Signal Name	Edge Connector	Flex-con Connector
IncMP'	15	15
ZeroMP'	13	13
BlankMP'	11	11
Boot'	7	7
AltBoot	5	5
DP.3	12	12
DP.2	10	10
DP.1	8	8
DP.0	6	6
VCC	1	1
GND	16	16

Component side



NOTE

All dimensions are in inches; drawing is not to scale.
 X.XXX is +/- .005; X.XX is +/- .010.
 Except as noted, this printed board shall be made
 in accordance with IPC-D-320.
 Acceptability of the finished board will be judged
 in accordance with IPC-A-600.
 Base Laminate: 1 oz Cu on FR4
 in accordance with IPC-L-130.
 Solder mask: green epoxy
 in accordance with IPC-SM-840.
 Silk screen: white epoxy.



HOLE SIZES			
Symbol	Number	Size	Plated
■	4	.125	No
■	14	.075	Yes
■	4	.050	Yes
■	225	.031	Yes

Component side

