

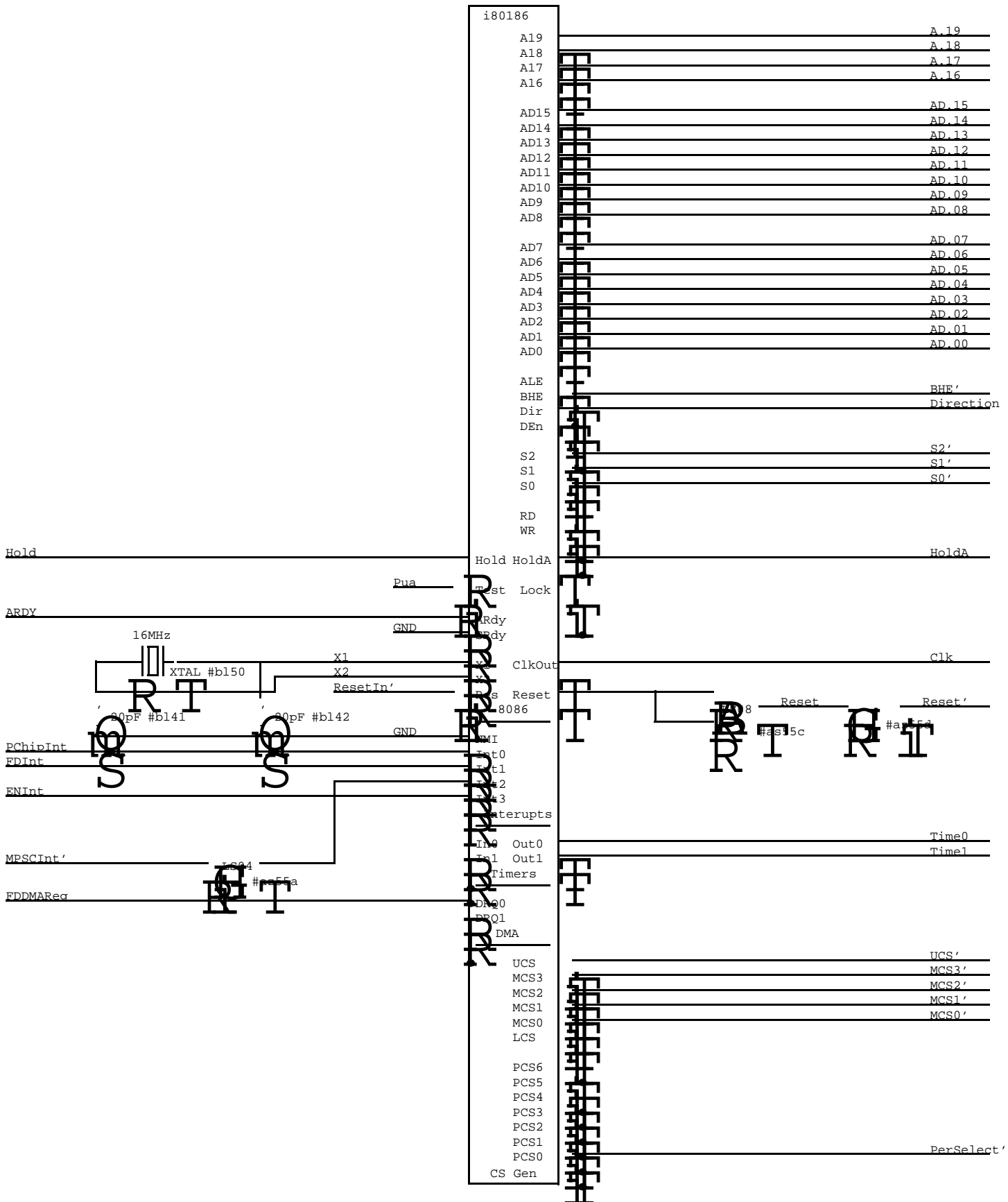


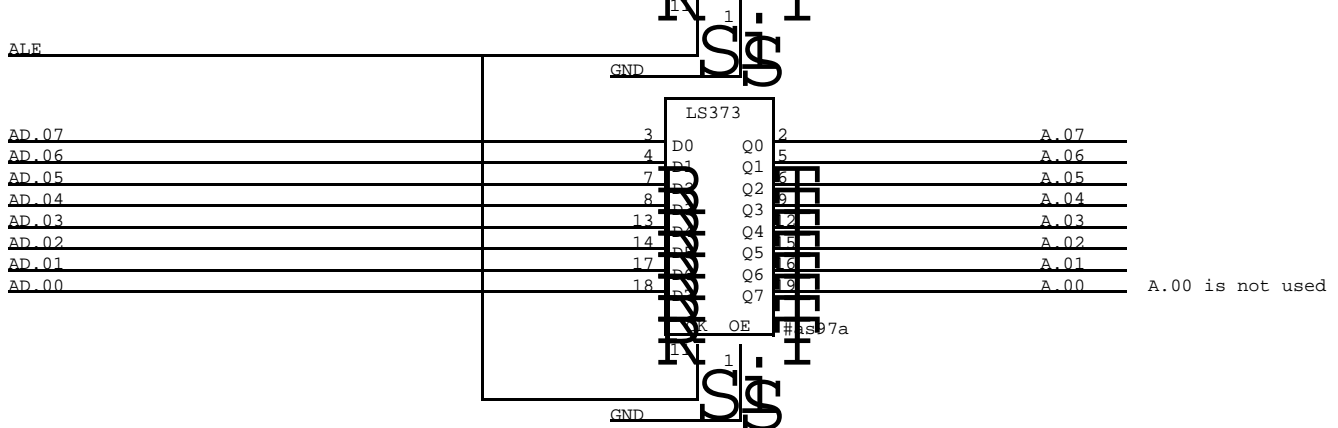
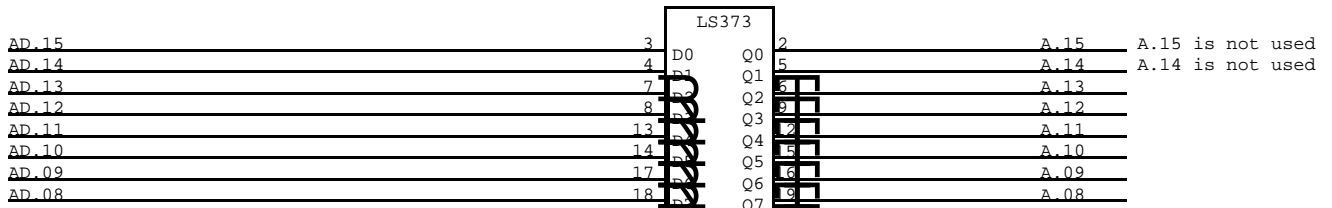
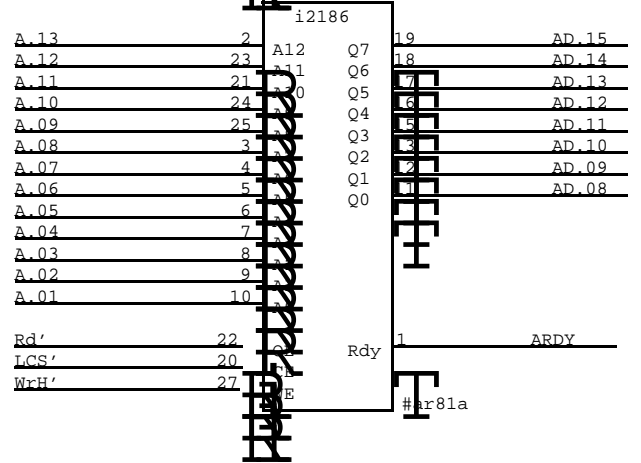
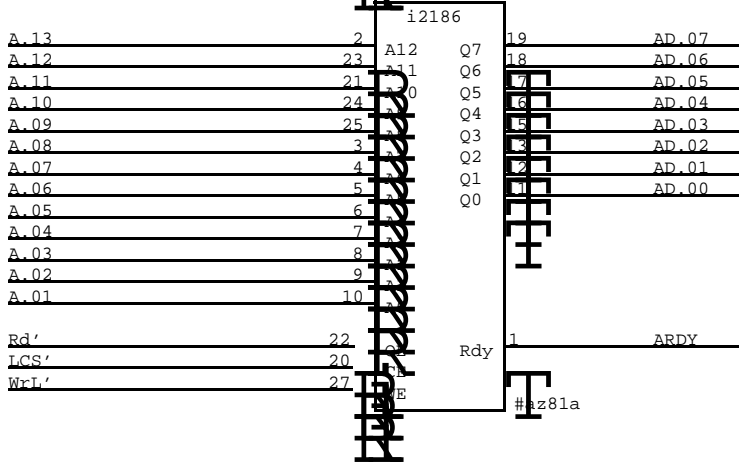
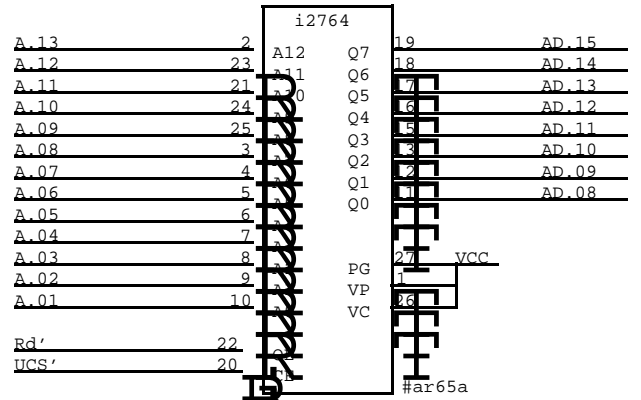
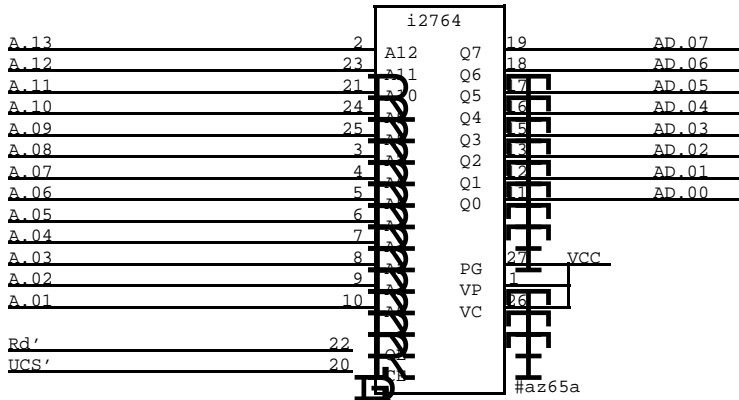
D a f f o d i l   S c h e m a t i c s

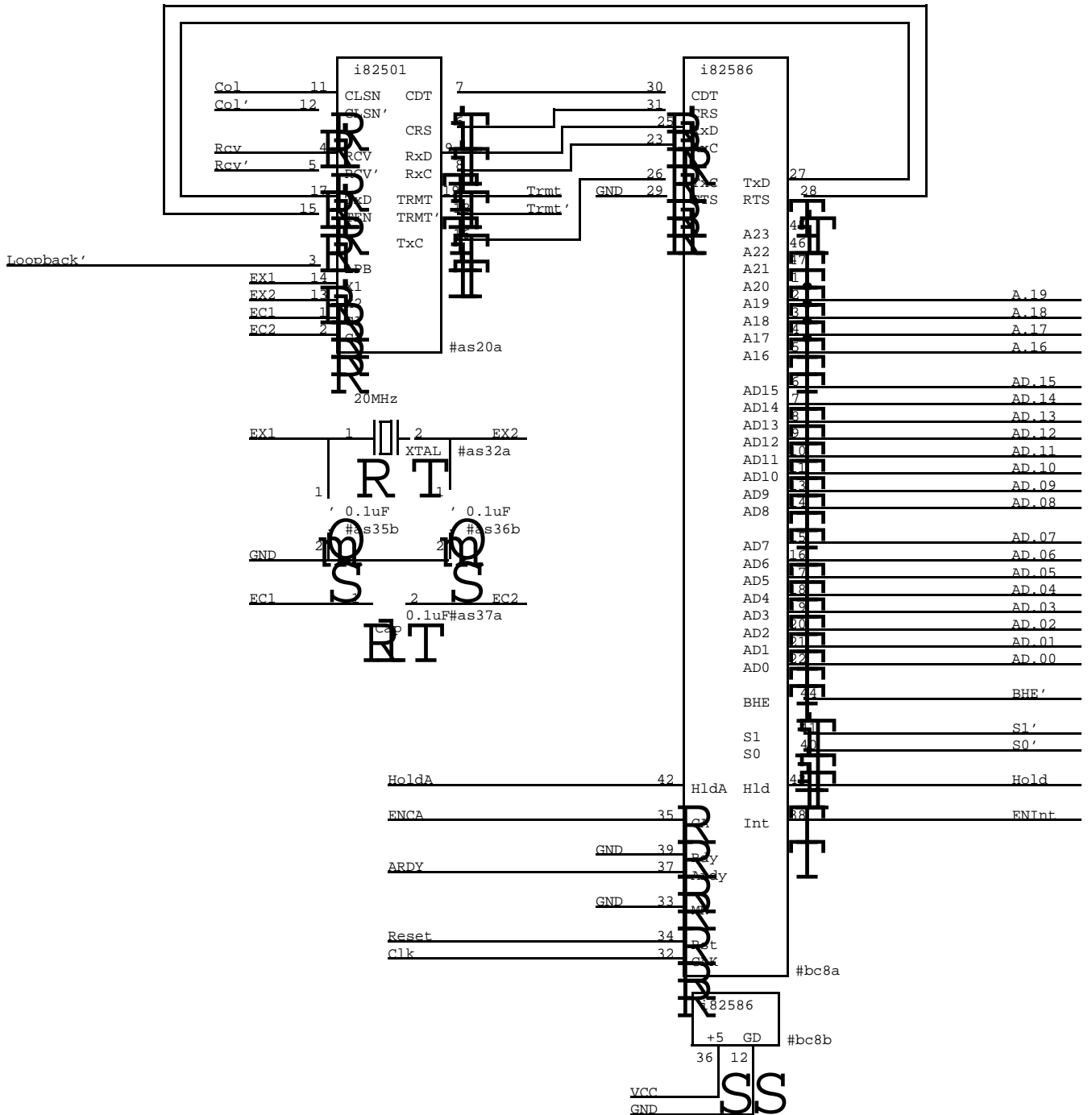
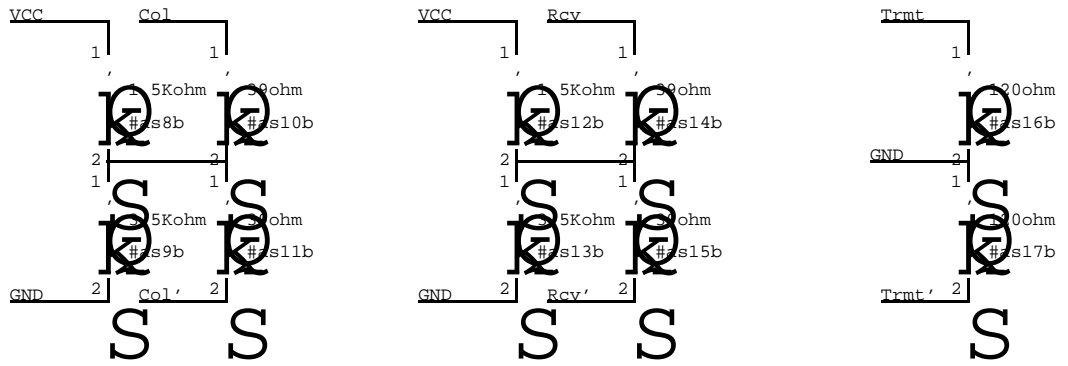
Table of contents

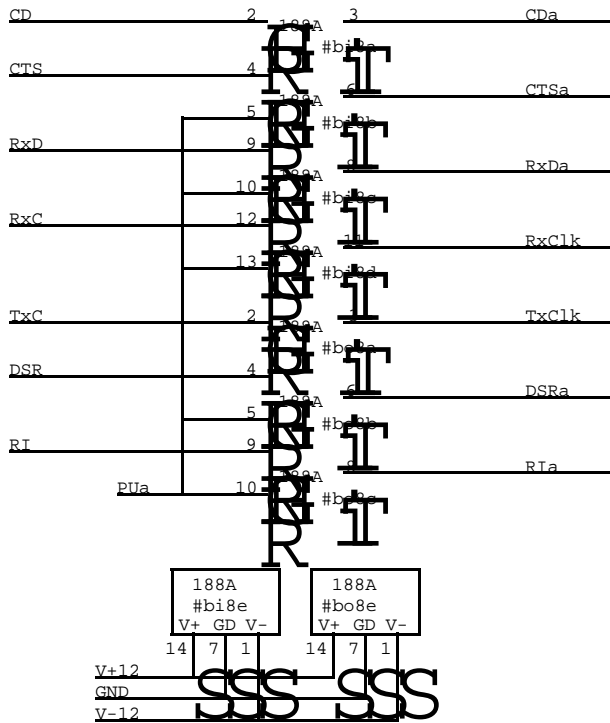
<u>TITLE</u>	<u>PAGE</u>
"A" Chip interface _____	1
80186 (logical) _____	2
Local Memory _____	3
Ethernet Controller _____	4
Keyboard/Mouse & RS232 _____	5
Floppy Disk Interface _____	6
80186 (real) _____	7
Power On Reset _____	8
Connectors & Route Stuff _____	9
Debug Ram _____	10
Timing _____	11
PLAT Layout _____	12



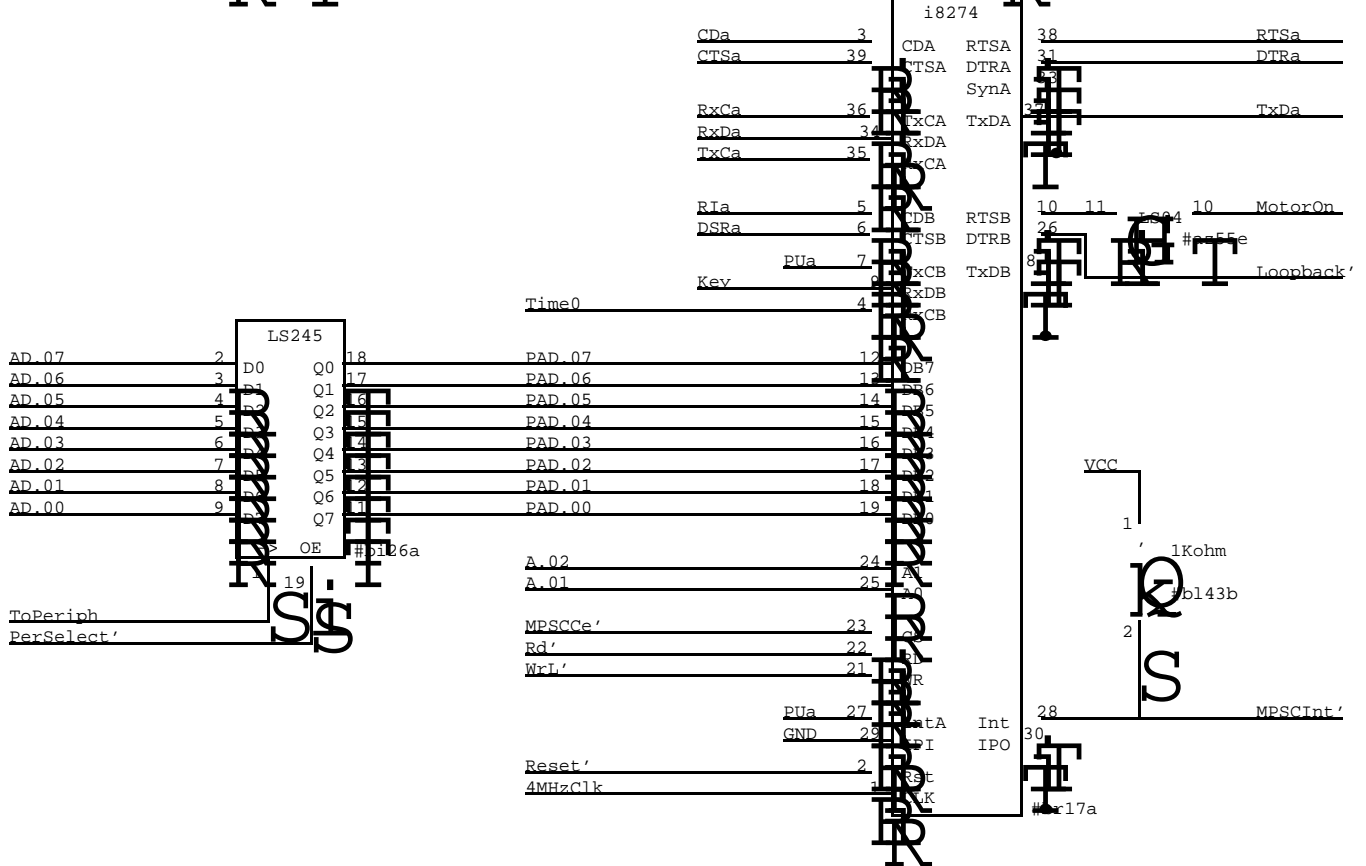
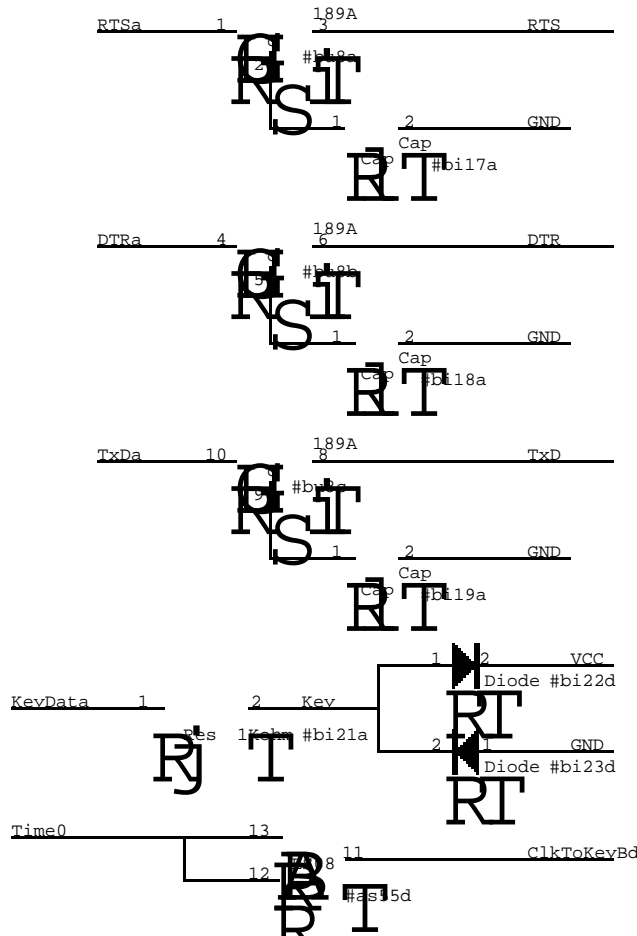
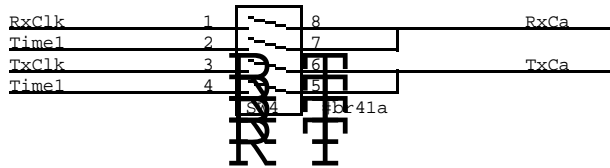


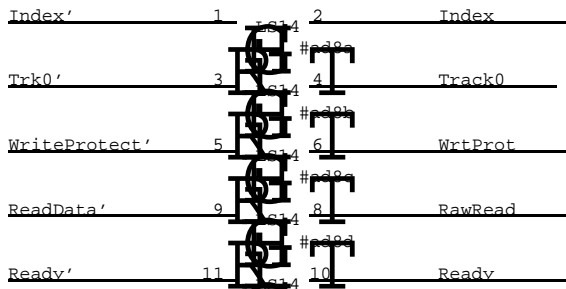




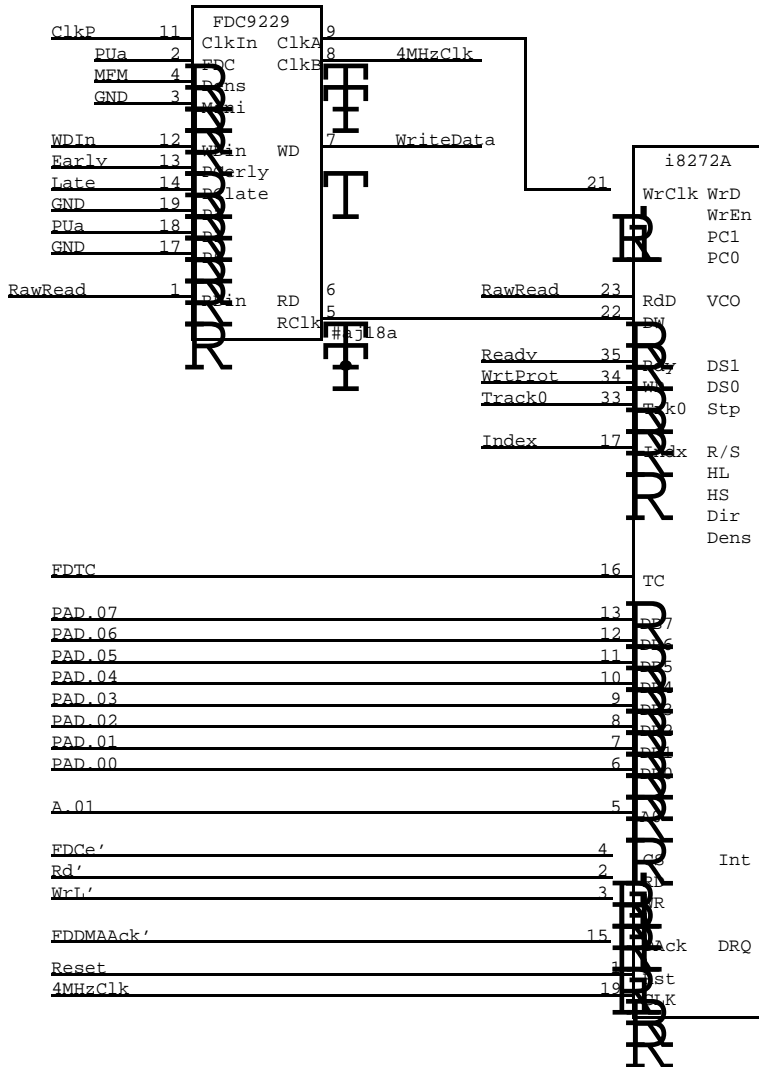
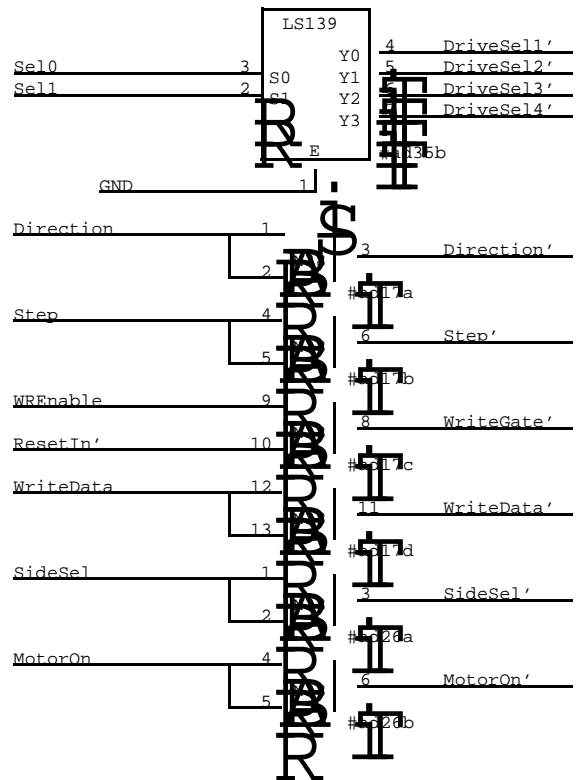
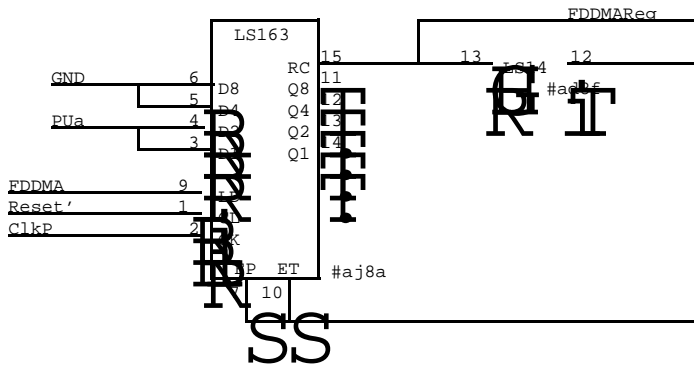


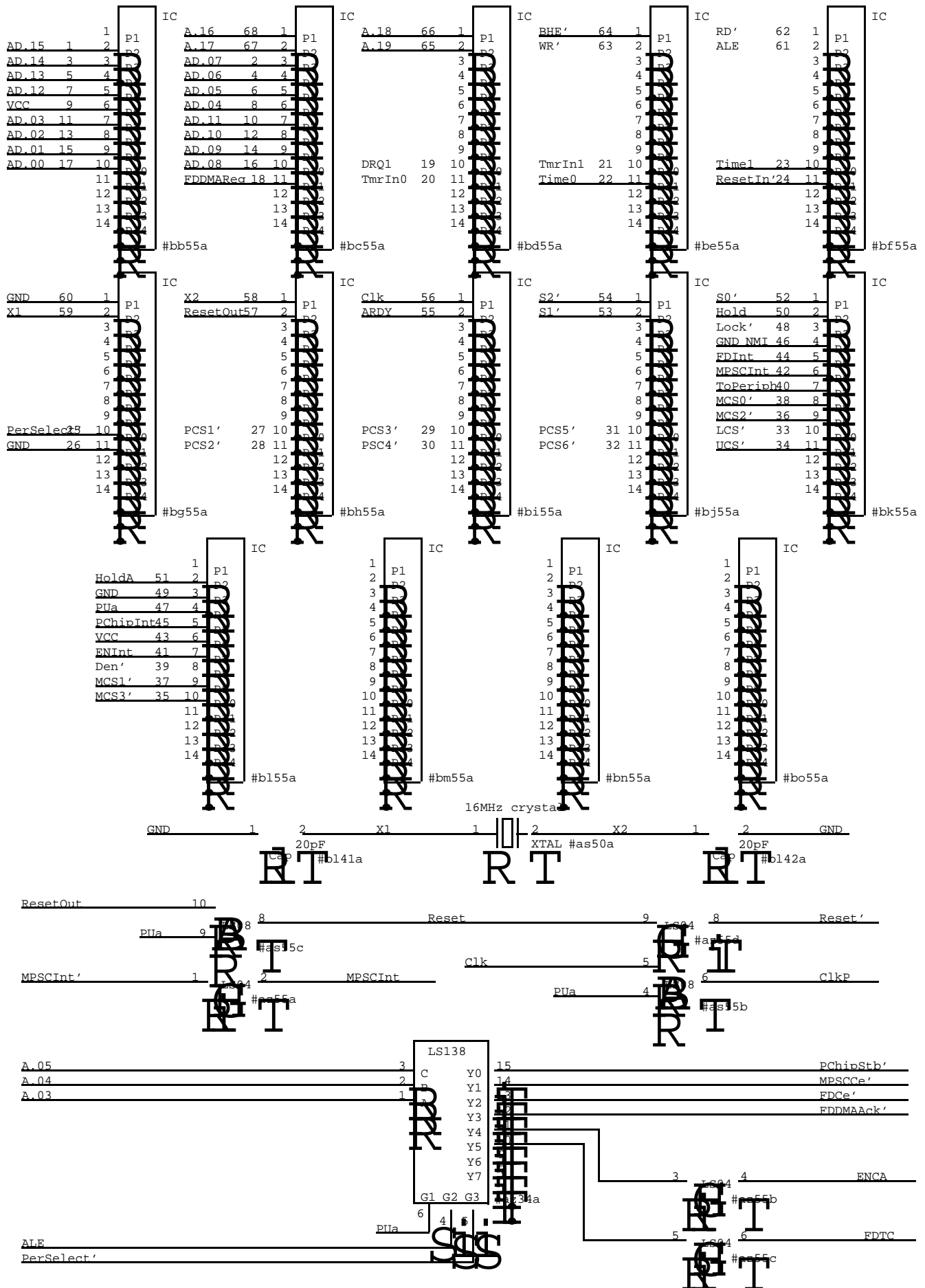
These are really jumpers shown as a switch





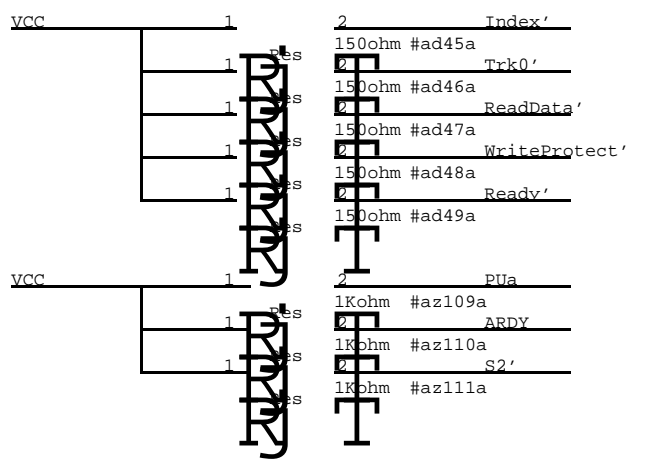
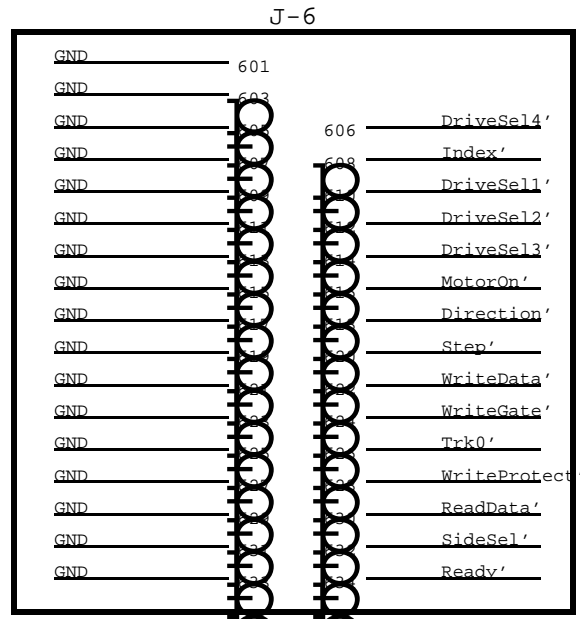
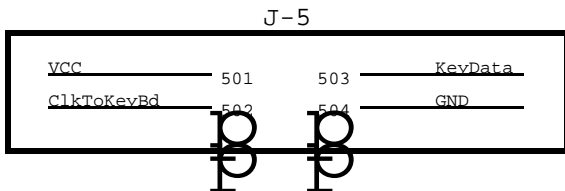
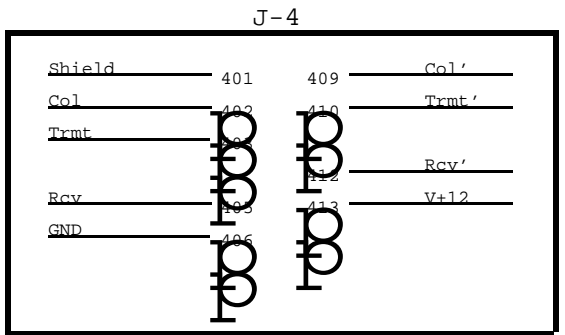
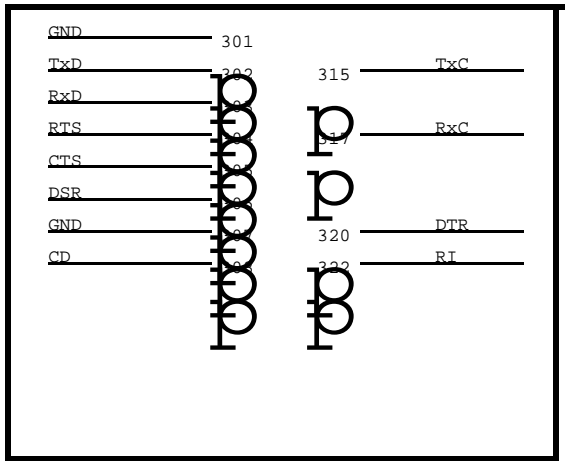
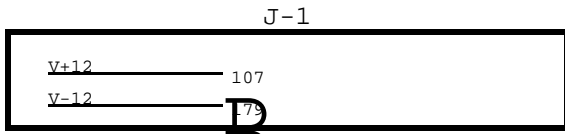
Terminators are on page 9

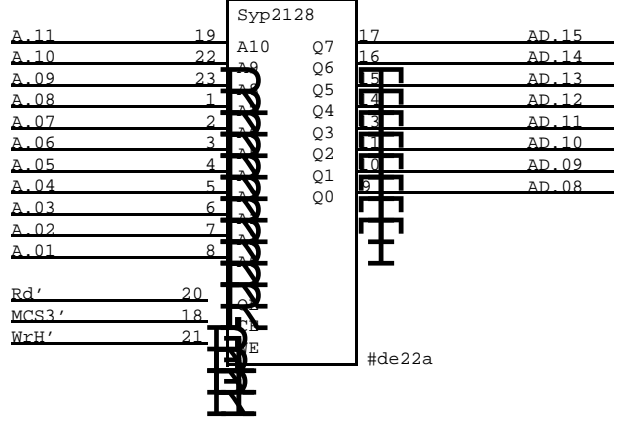
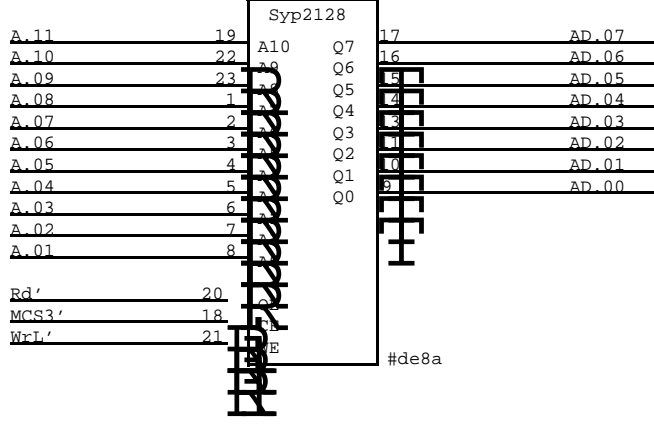
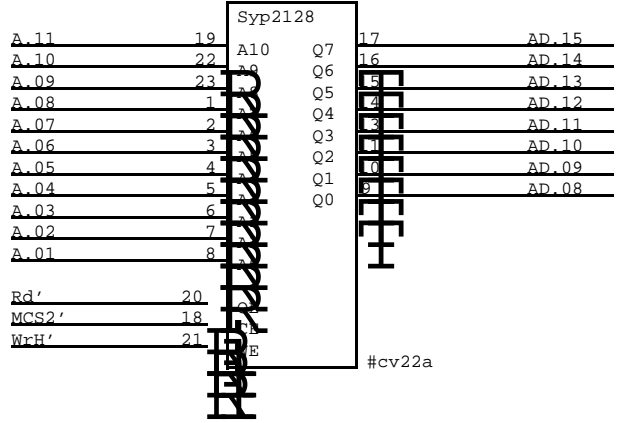
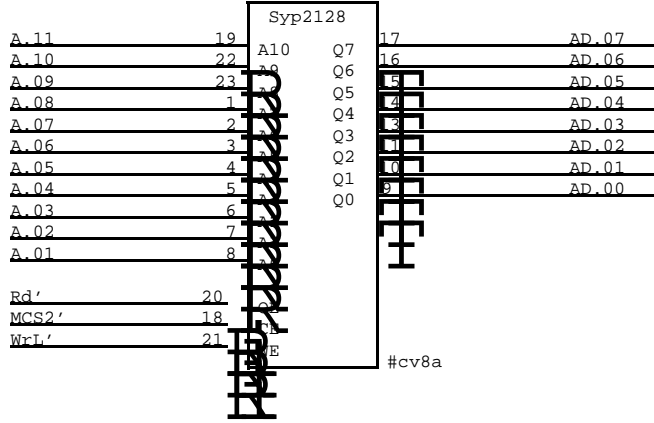
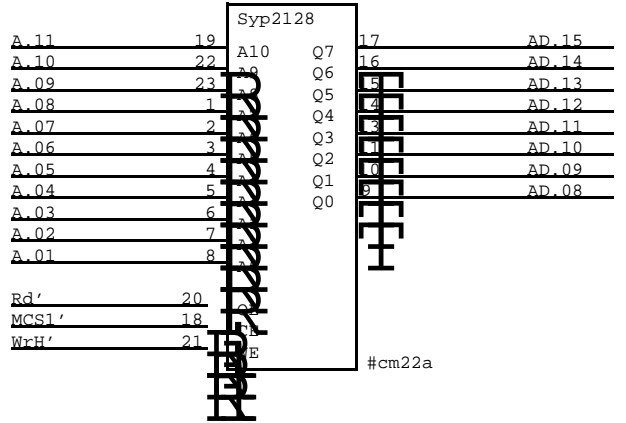
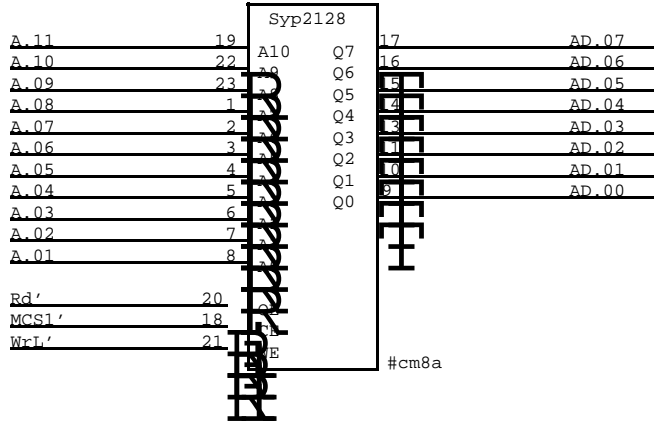
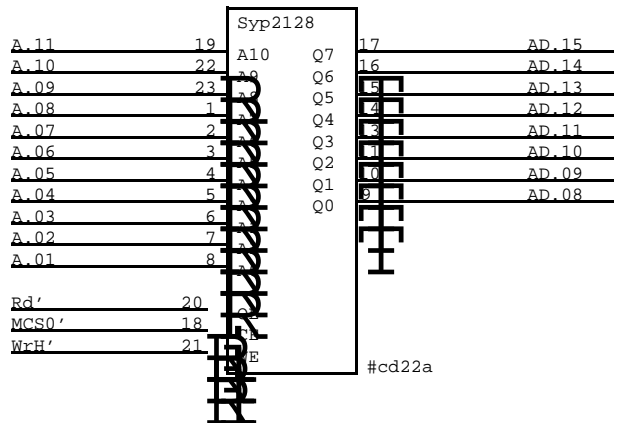
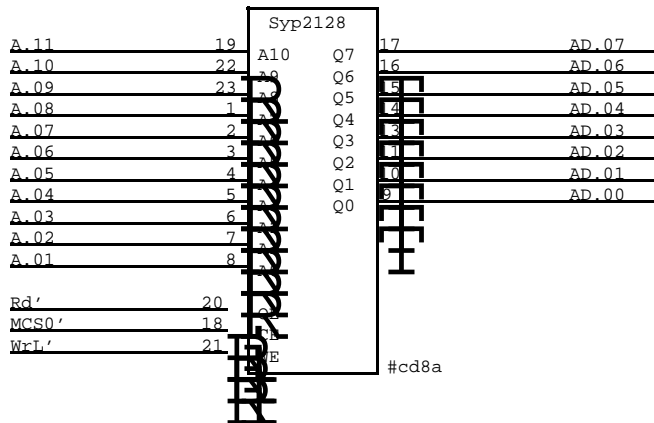


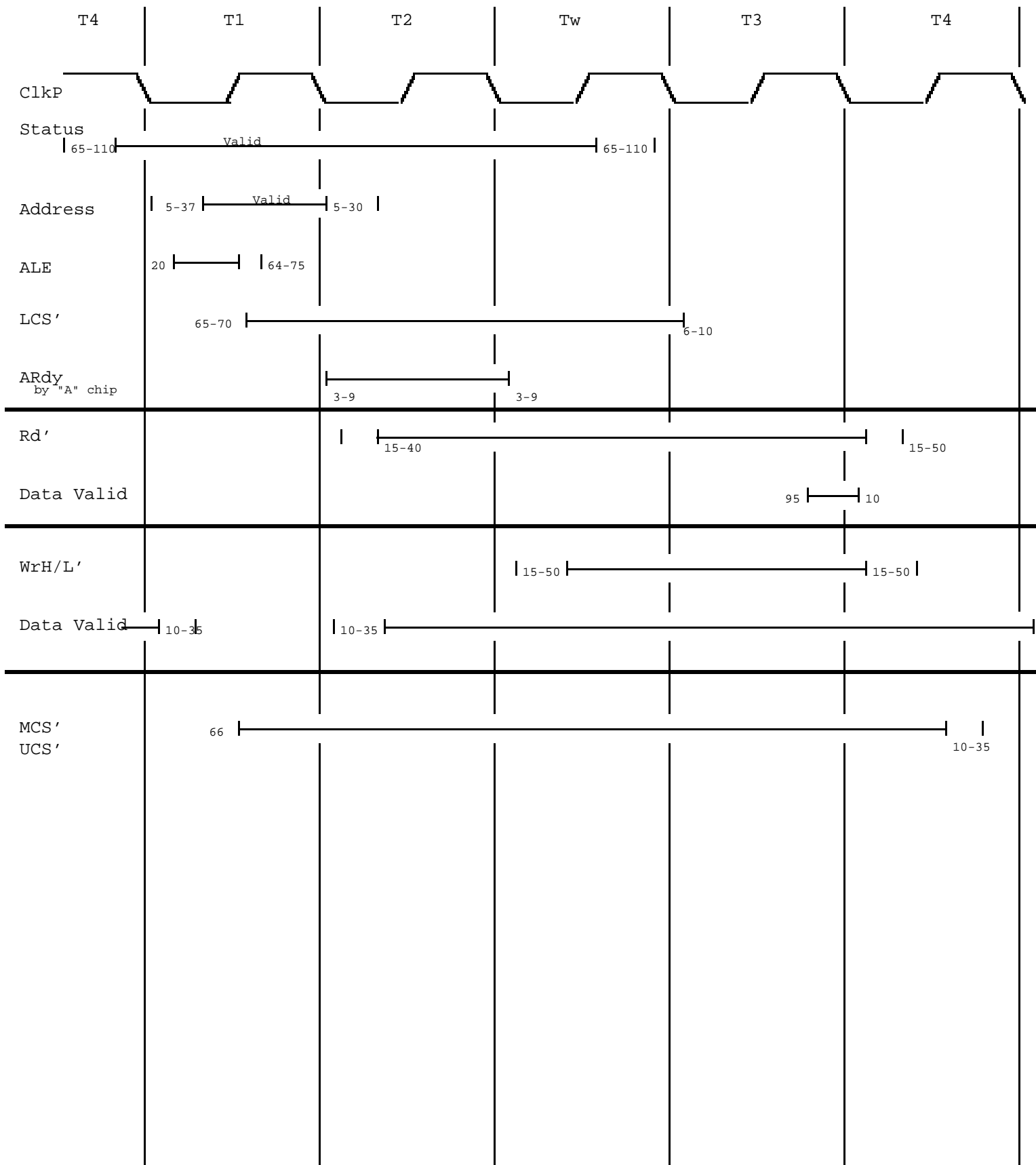










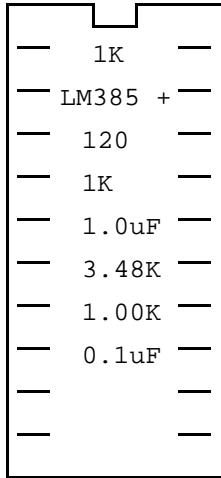


Clk is assumed to be 120ns

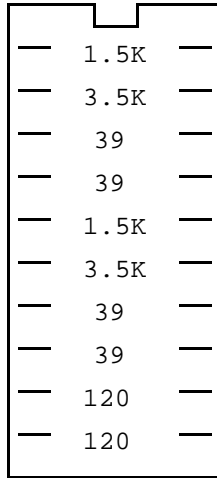
All timing is from falling edge of clk

XEROX PARC	Project Daffodil	Reference Timing	File Daff11.sil	Designer Tim Diebert	Rev B	Date 6/02/83	Page 11
---------------	---------------------	---------------------	--------------------	-------------------------	----------	-----------------	------------

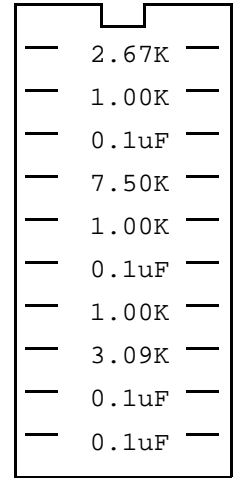
#as41



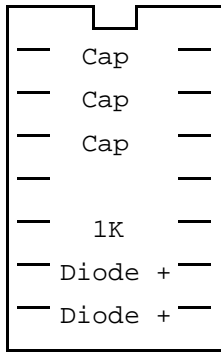
#as8



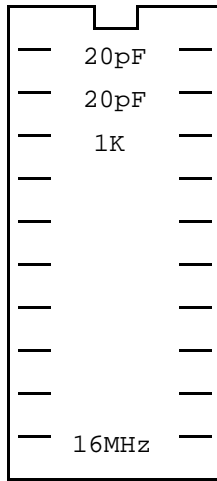
#bf41



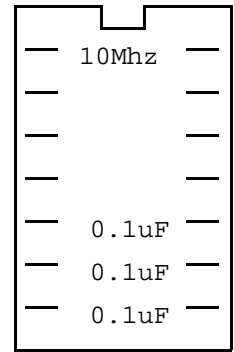
#bi17



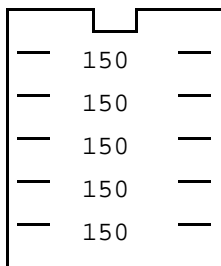
#bl41



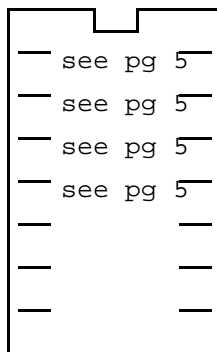
#as31



#ad45



#br41



#az109

