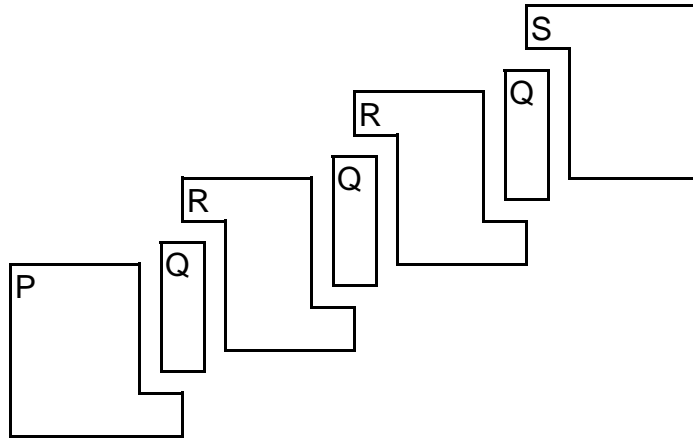


a. Before Partitioning



b. After Partitioning

**Fig. 2.** Four Instances of A