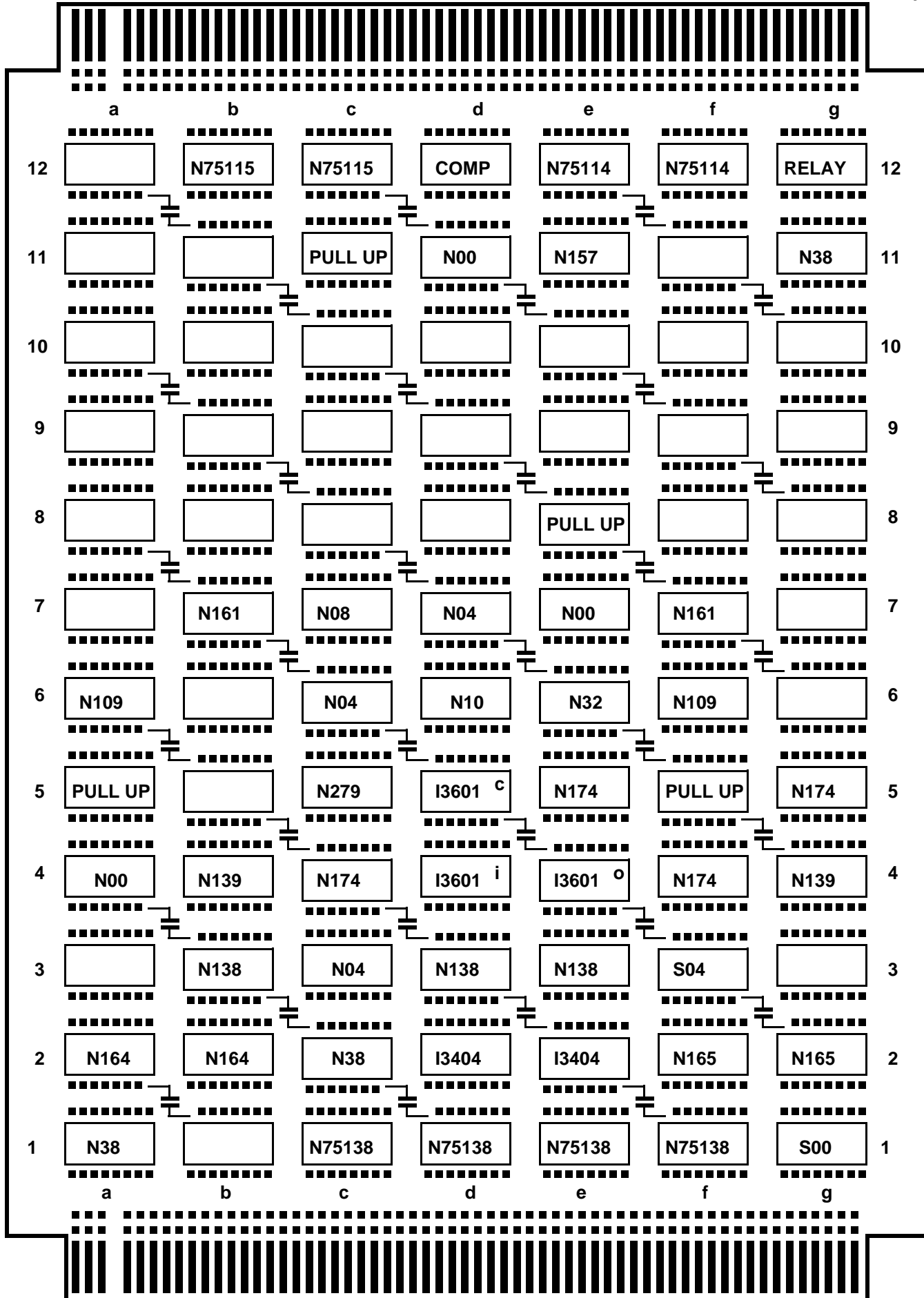


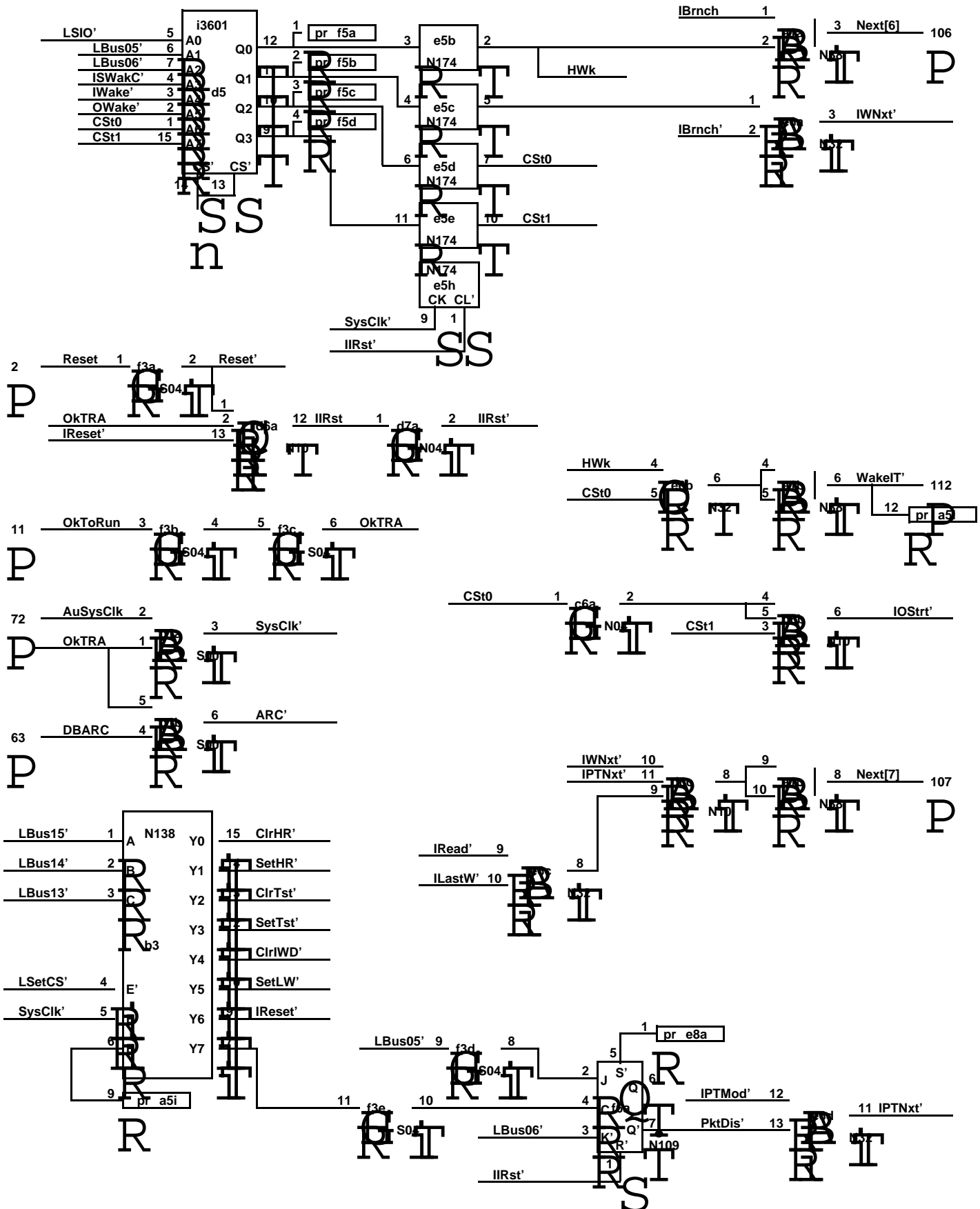
61  
122

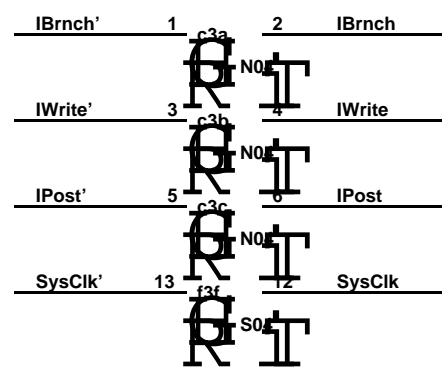
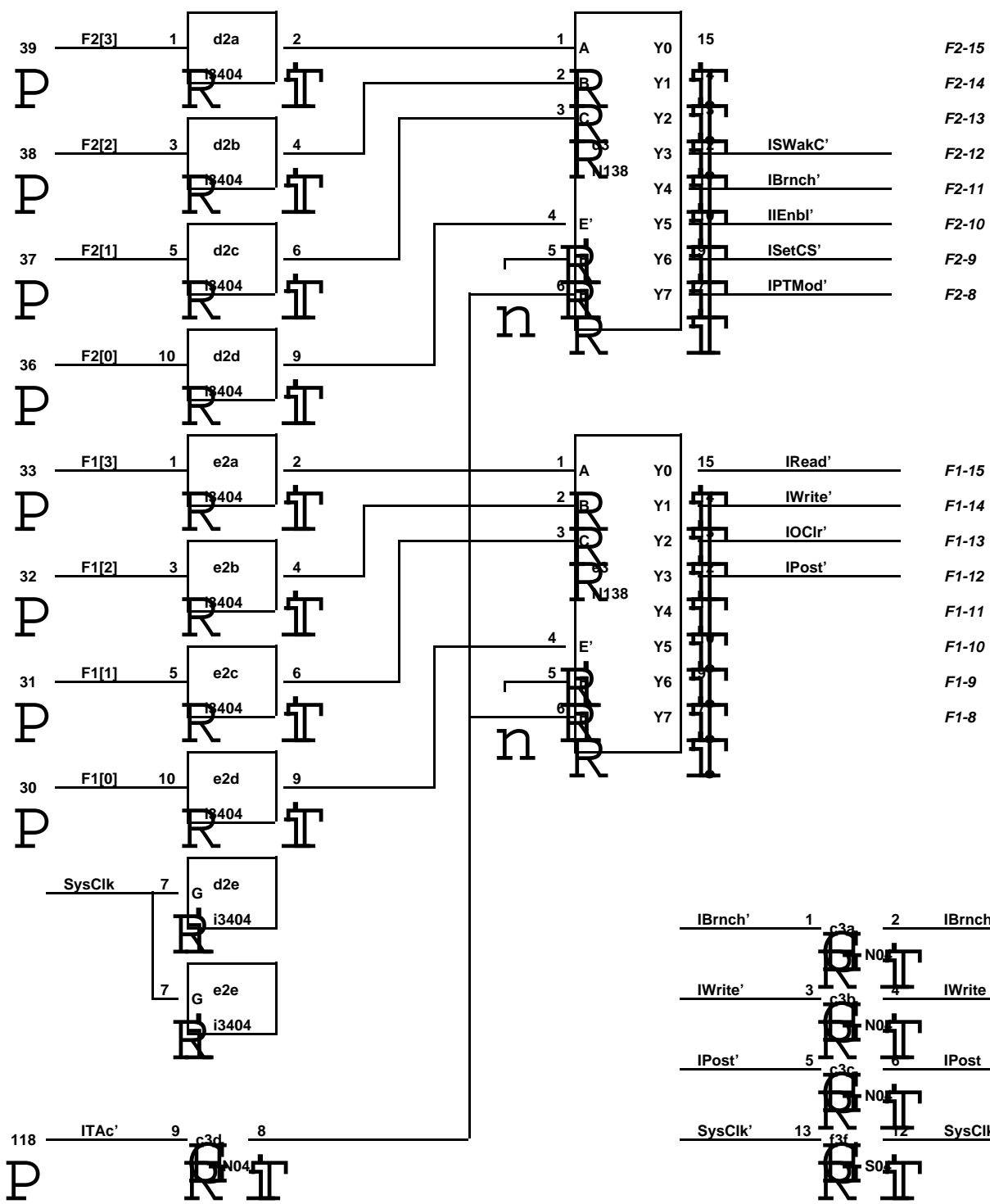
1  
62 bottom  
top

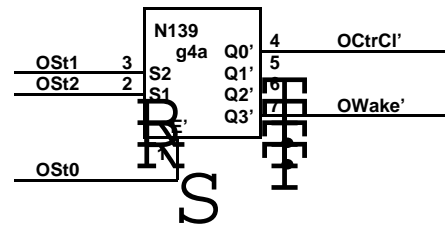
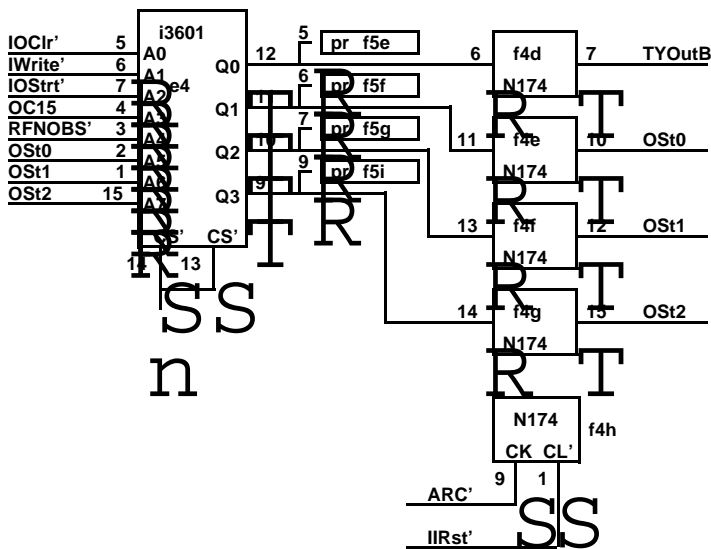
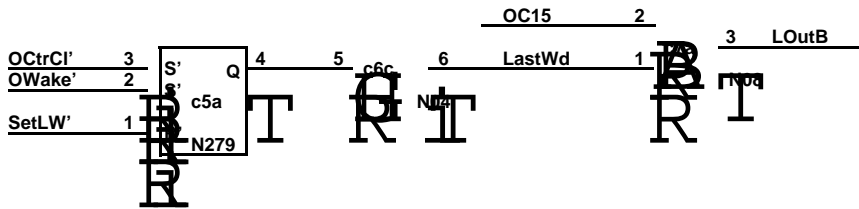
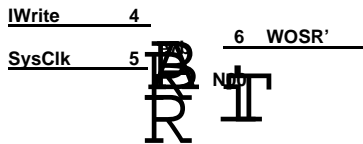
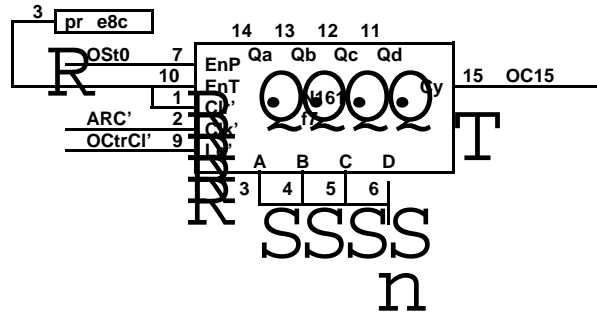
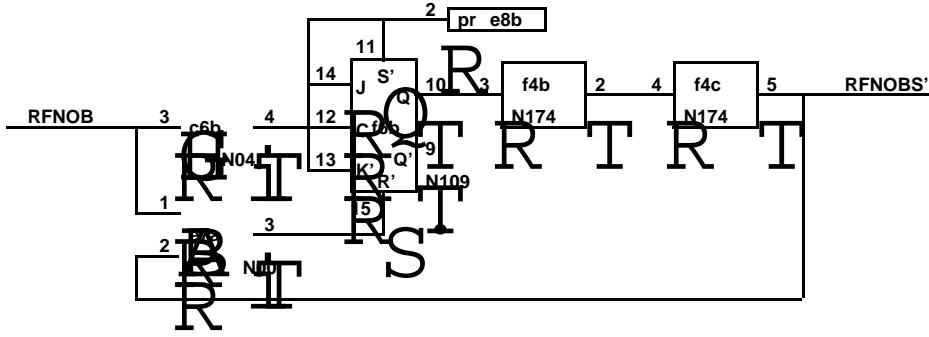


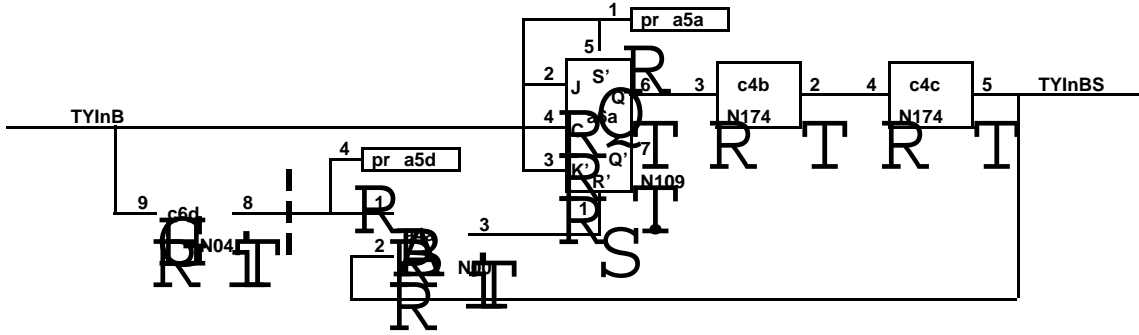
61  
122

1  
62 top  
bottom

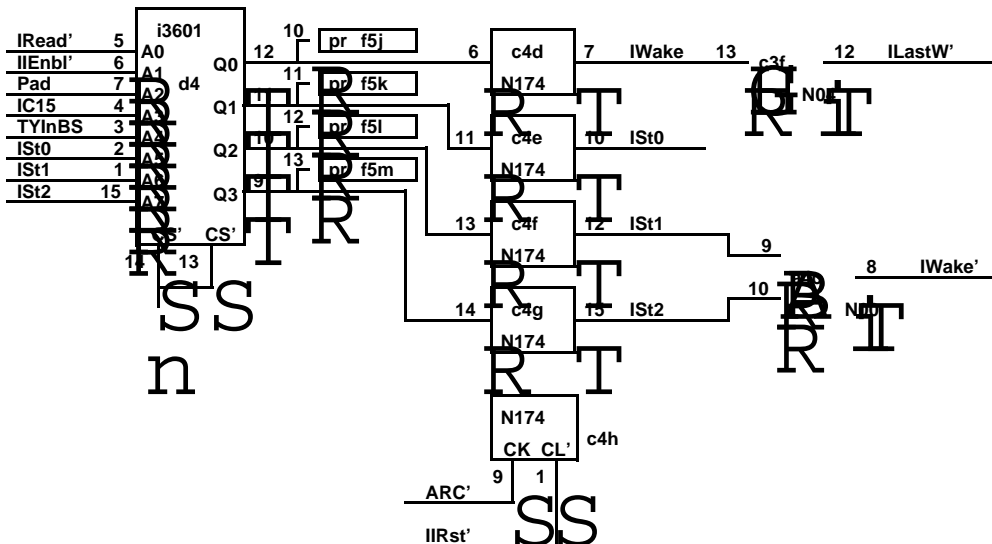
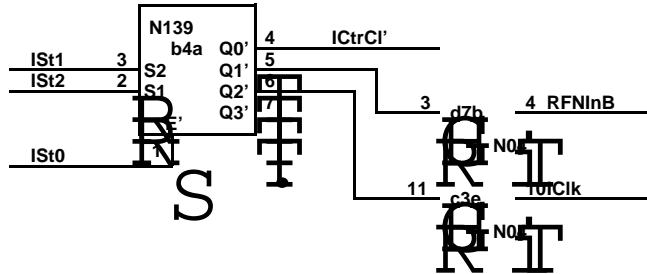
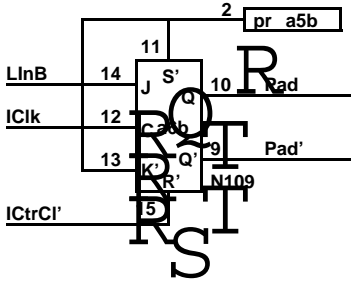
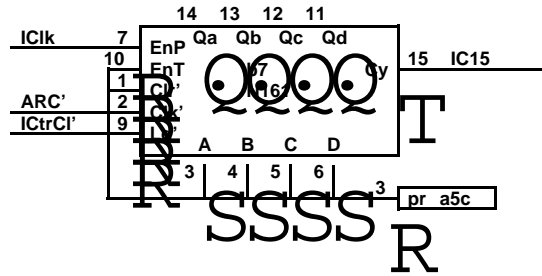


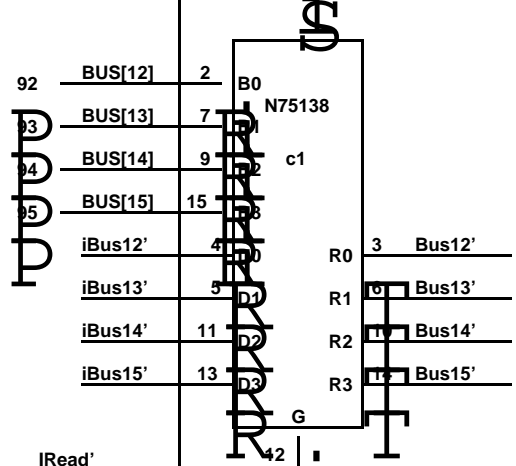
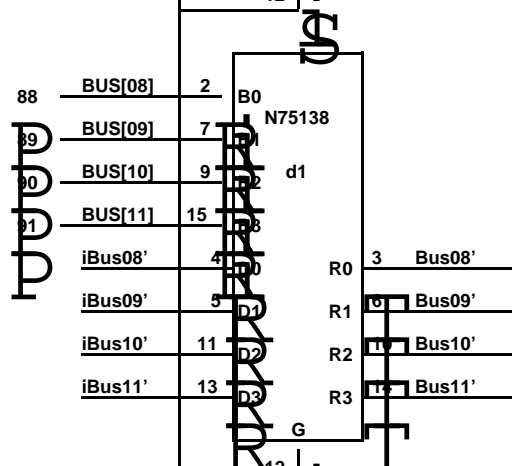
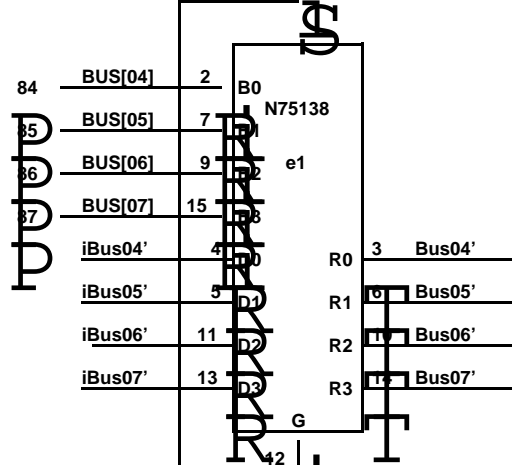
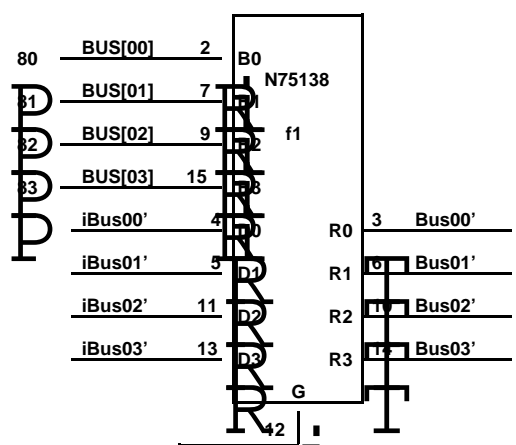
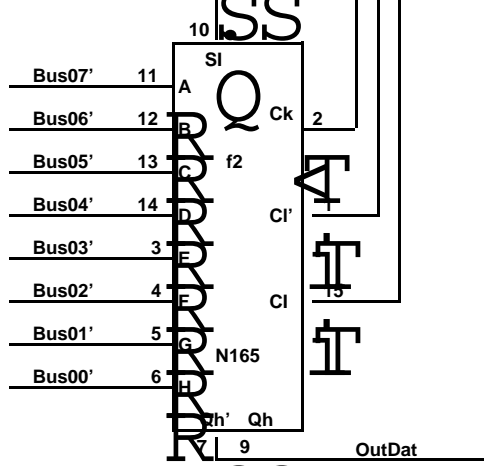
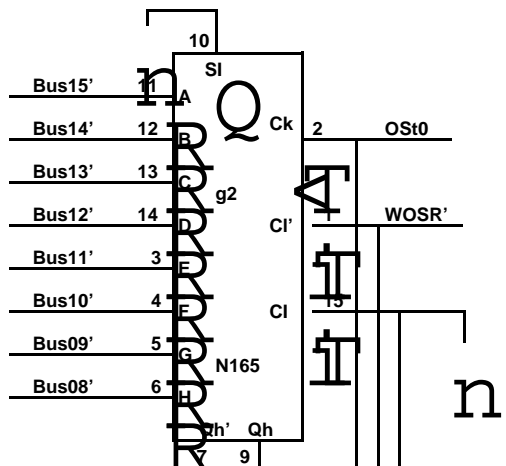
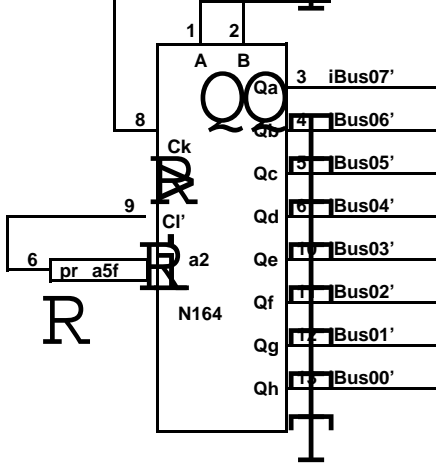
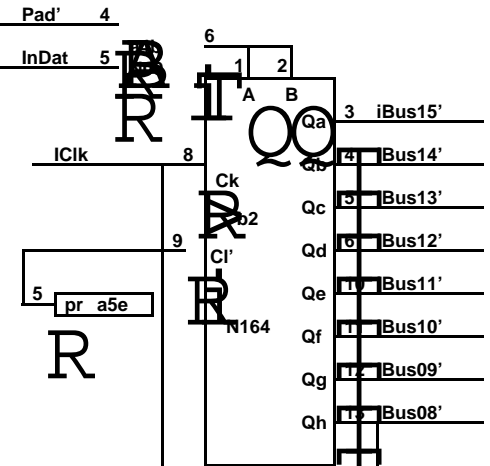


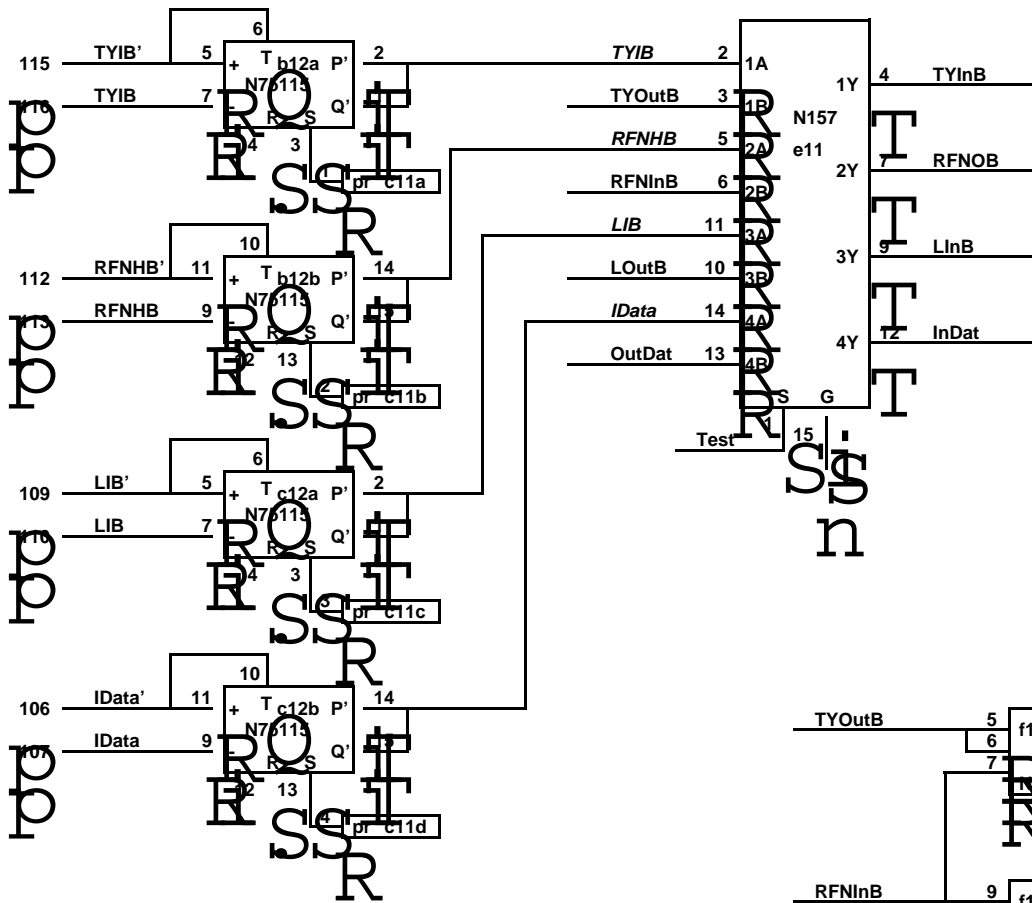




Note: Set up for 4-way handshaking.  
 For 2-way handshaking, tie top input of N00 high.

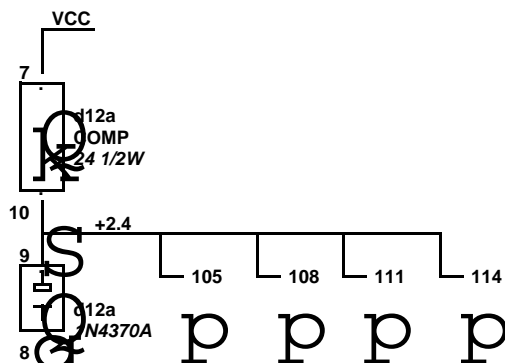






**Note:**

For use with Local Host style interface, use only high sides of input and output drivers. Let the low side of the output drivers float and tie the low side of the receivers to about 2 volts.



Note: Pin 8 is ground on the PC board.

