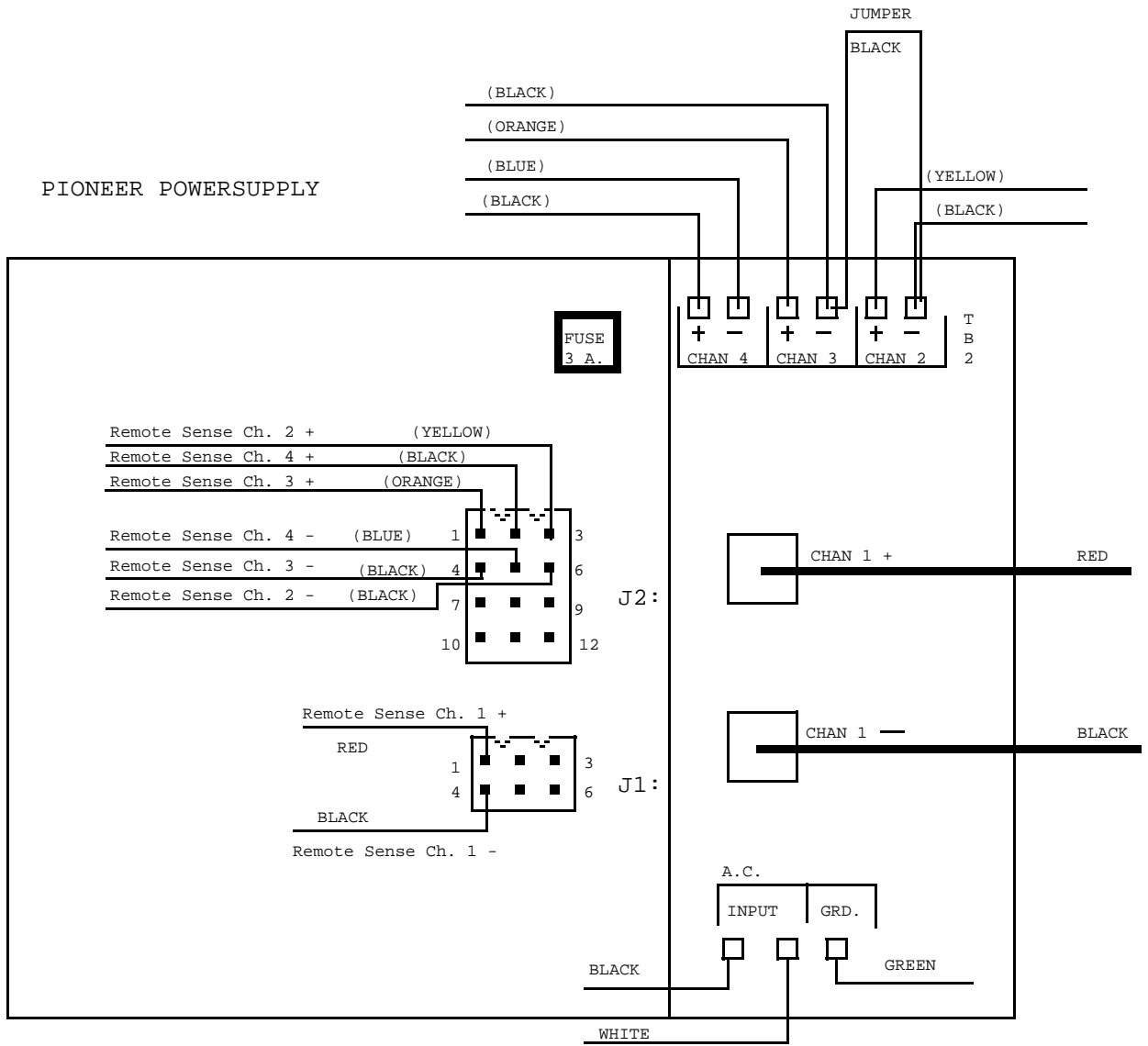
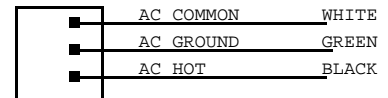


J-17  
D0 BACKPANEL



SHUGART DISK



Output:

- Channel 1: 5VDC, 90A  RED
- Channel 2: 24VDC, 6A  (YELLOW)
- Channel 3: 12VDC, 7A  (ORANGE)
- Channel 4: 5VDC, 5A  (BLUE)

