

D I C E N T R A   S C H E M A T I C S

M a i n t e n a n c e   P a n e l

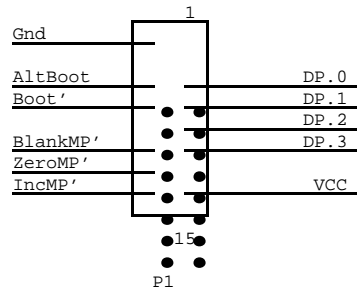
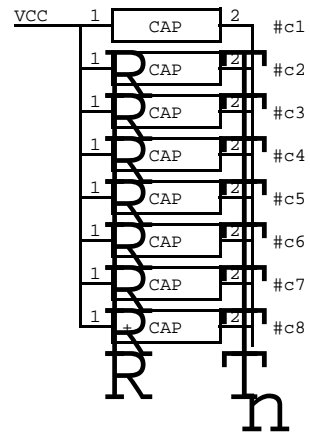
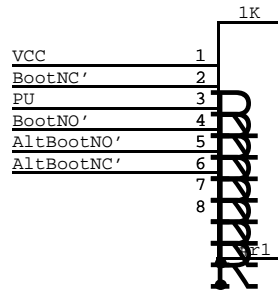
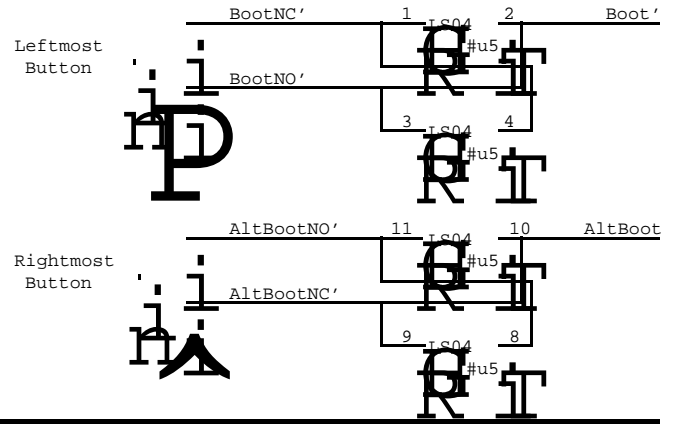
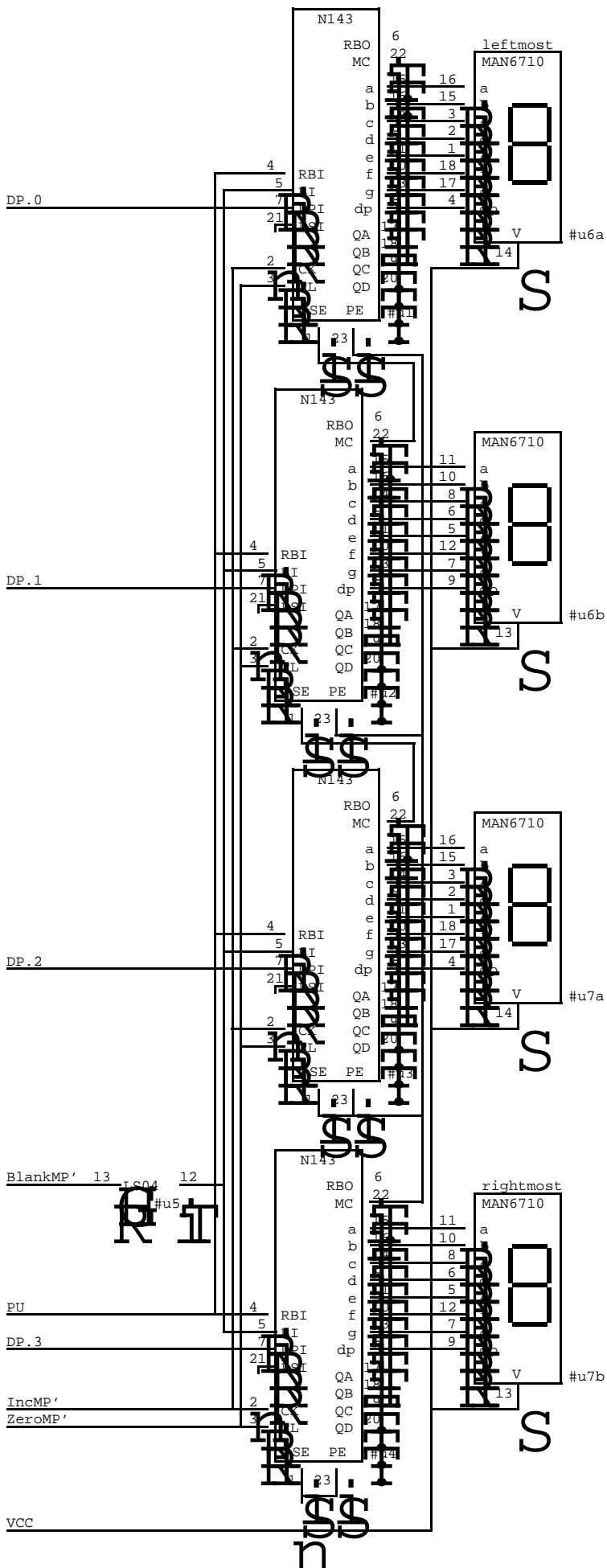
Table of contents

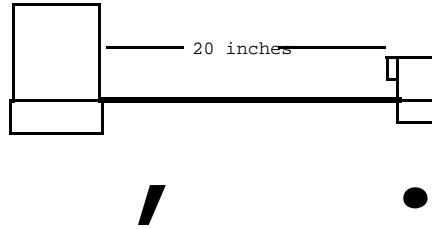
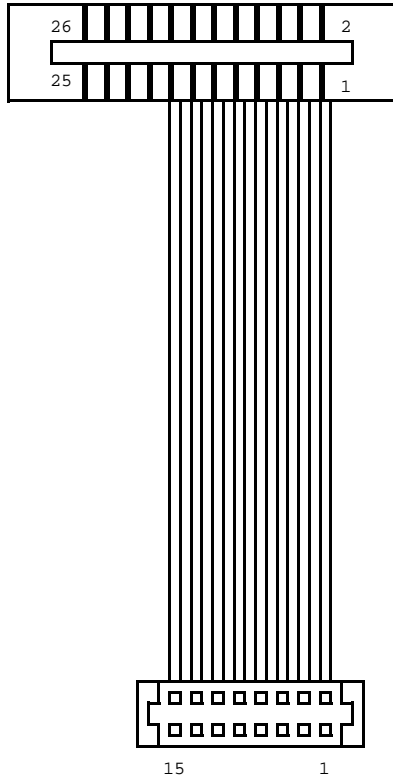
<u>TITLE</u>	<u>PAGE</u>
Maintenance Panel _____	1
MP-CP Cable _____	2
Parts List _____	3
Fabrication Drawing _____	4
Assembly Drawing _____	5

These drawings use the following [SIL] User.cm parameters:

- 0: Helvetica10
- 1: Helvetica7
- 2: Template64
- 3: Gates32
- 5: Dicentra.lb5
- 6: Dicentra.lb6
- 7: Dicentra.lb7
- 8: Dicentra.lb8
- A: Dicentra.Analyze
- Y: 712

All files are kept on [Indigo]<Dicentra>

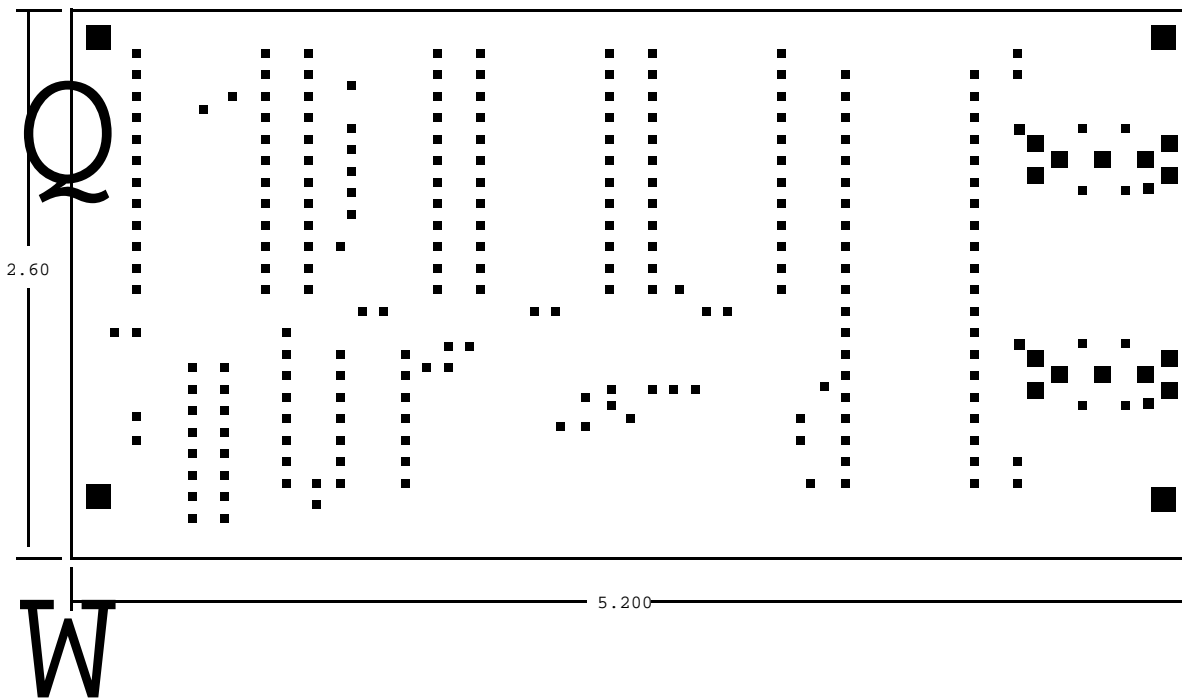




Signal Name	Edge Connector	Flex-con Connector
IncMP'	15	15
ZeroMP'	13	13
BlankMP'	11	11
Boot'	7	7
AltBoot	5	5
DP.3	12	12
DP.2	10	10
DP.1	8	8
DP.0	6	6
VCC	1	1
GND	16	16

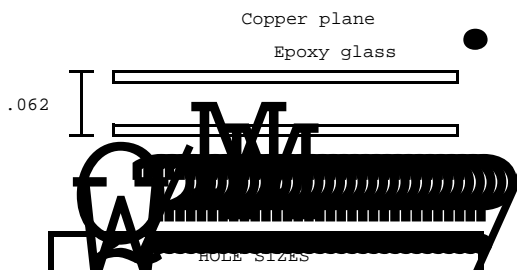
Qty	Manufacturer	Part Number	Description	Location			
4	TI	74143	IC	U1-U4			
1	TI	74LS04	IC	U5			
2	Monsanto	MAN6710	2x7-Segment LEDs	U6, U7			
1	Beckman	764-1-R1K	7x1K SIP resistor	R1			
7			.1 uf 50 V cap	C1-C7			
1			1 uf 15 V cap	C6			
3	EMC	10640-01-445	40-pin DIP socket	U6, U7			
1	EMC	10316-01-445	16-pin DIP socket	P1			
2	C&K	8121	SPDT PB switch	S1, S2			
1	C&K	7982-1	Switch top - red	S1			
1	C&K	7982-3	Switch top - white	S2			
1	Xerox	DMP-Rev-0	PC Board				
1	Winchester	70-16-03	16-pin Socket	P1			
1	Winchester	81-16-112	16-pin Connector	P1			
1	3M	3462-0001	26-pin edge conn	DCP J3			
20 "	3M	3365	Ribbon cable				
XEROX PARC	Project Dicentra	Reference Parts List	File DMP03.sil	Designer Mike Overton	Rev B	Date 5/31/84	Page 3

Component side



**NOTE**

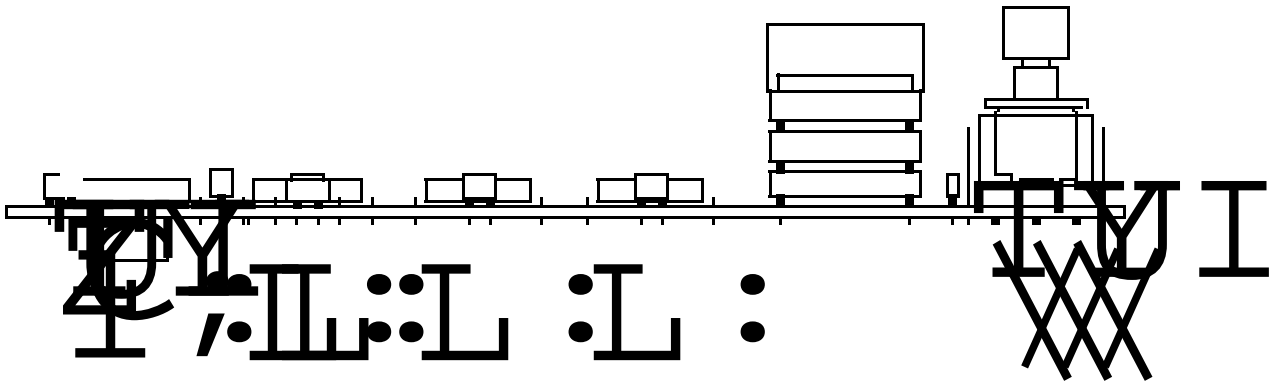
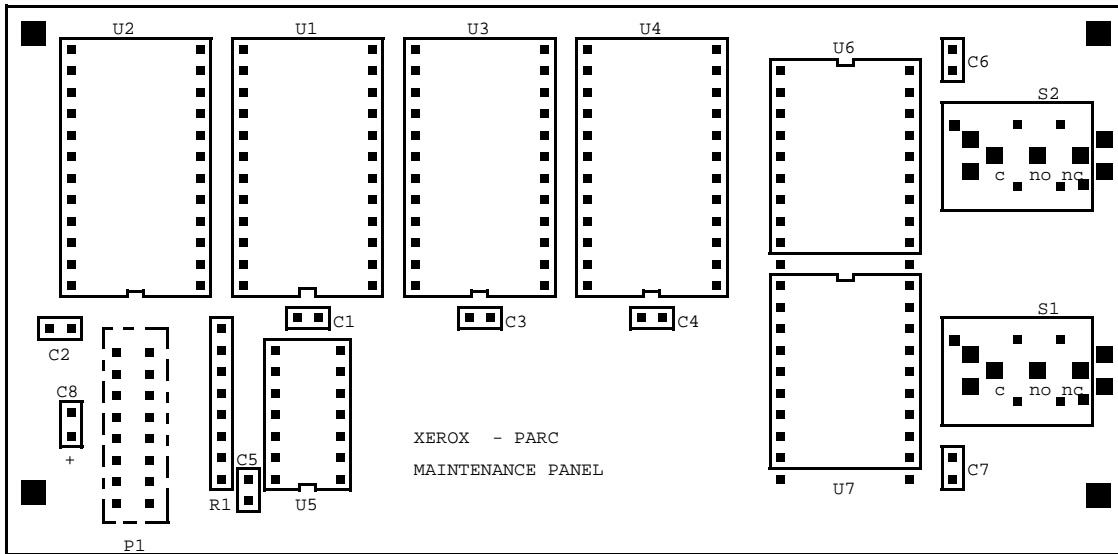
All dimensions are in inches; drawing is not to scale.  
 X.XXX is +/- .005; X.XX is +/- .010.  
 Except as noted, this printed board shall be made  
 in accordance with IPC-D-320.  
 Acceptability of the finished board will be judged  
 in accordance with IPC-A-600.  
 Base Laminate: 1 oz Cu on FR4  
 in accordance with IPC-L-130.  
 Solder mask: green epoxy  
 in accordance with IPC-SM-840.  
 Silk screen: white epoxy.



HOLE SIZES

Symbol	Number	Size	Plated
■	4	.125	No
■	14	.075	Yes
■	4	.050	Yes
■	225	.031	Yes

Component side



<p>XEROX PARC</p>	<p>Project Dicentra</p>	<p>Reference Assembly Drawing</p>	<p>File DMP05.sil</p>	<p>Designer Mike Overton</p>	<p>Rev B</p>	<p>Date 5/31/84</p>	<p>Page 5</p>
-----------------------	-----------------------------	---------------------------------------	---------------------------	----------------------------------	------------------	-------------------------	-------------------