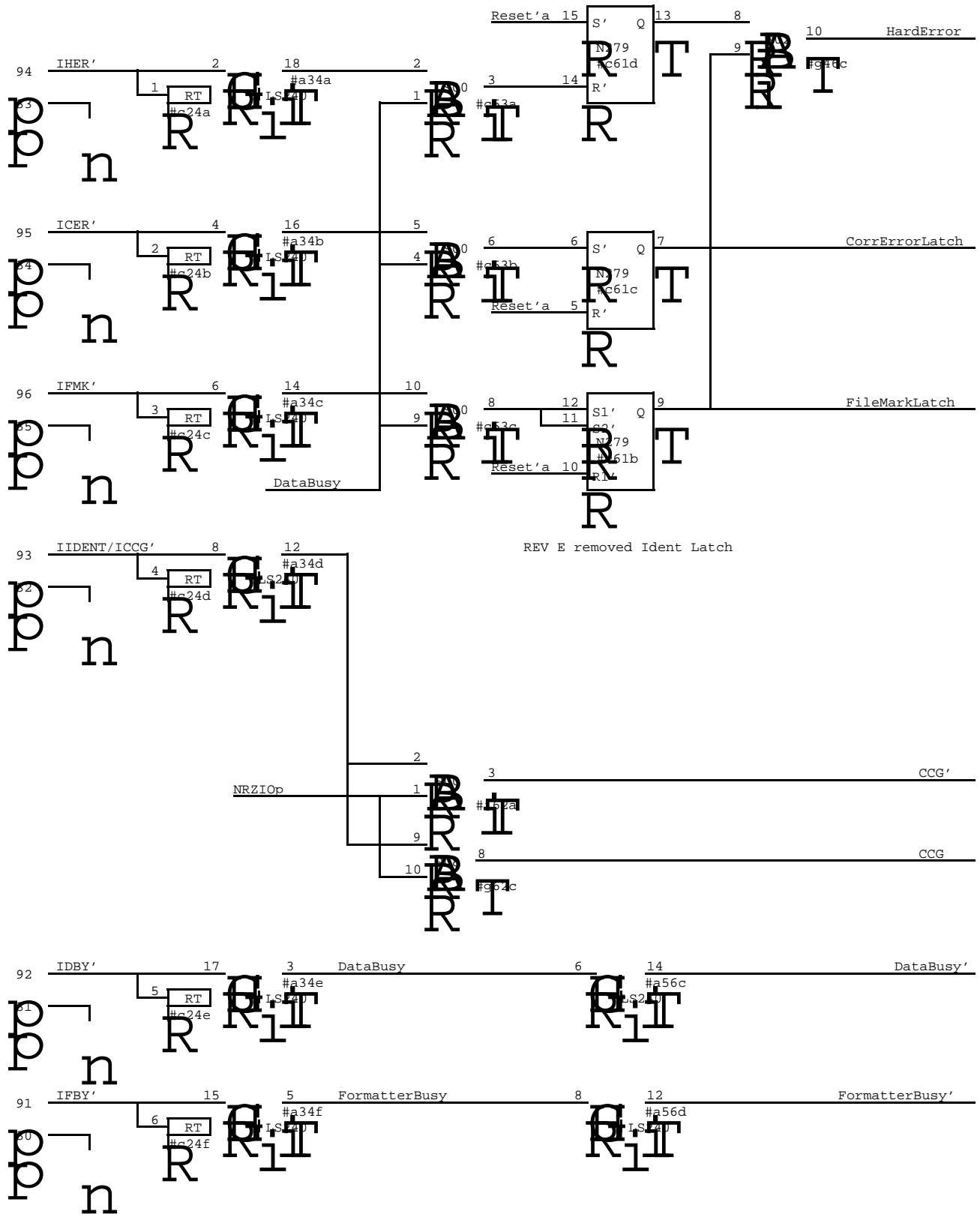
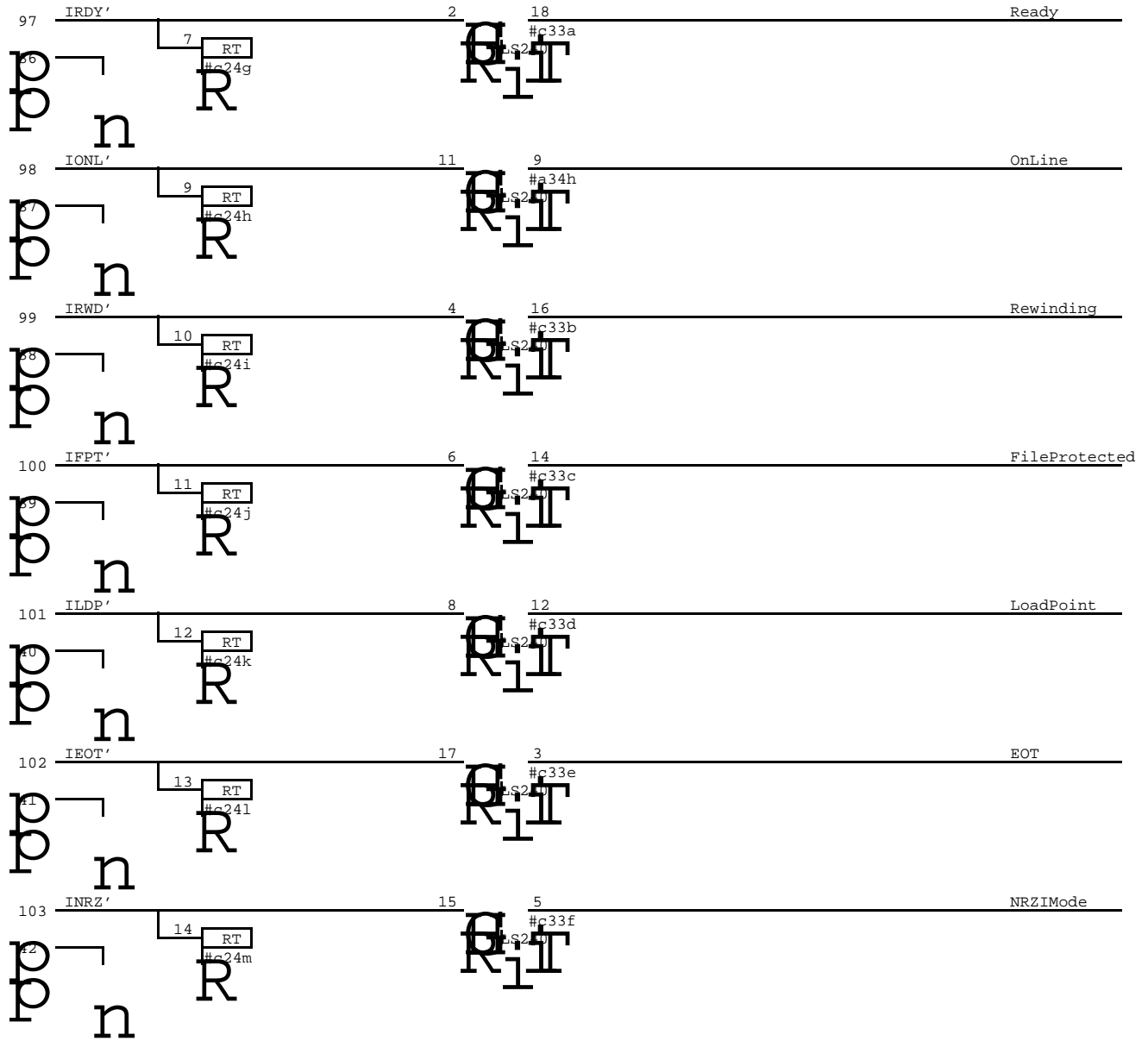


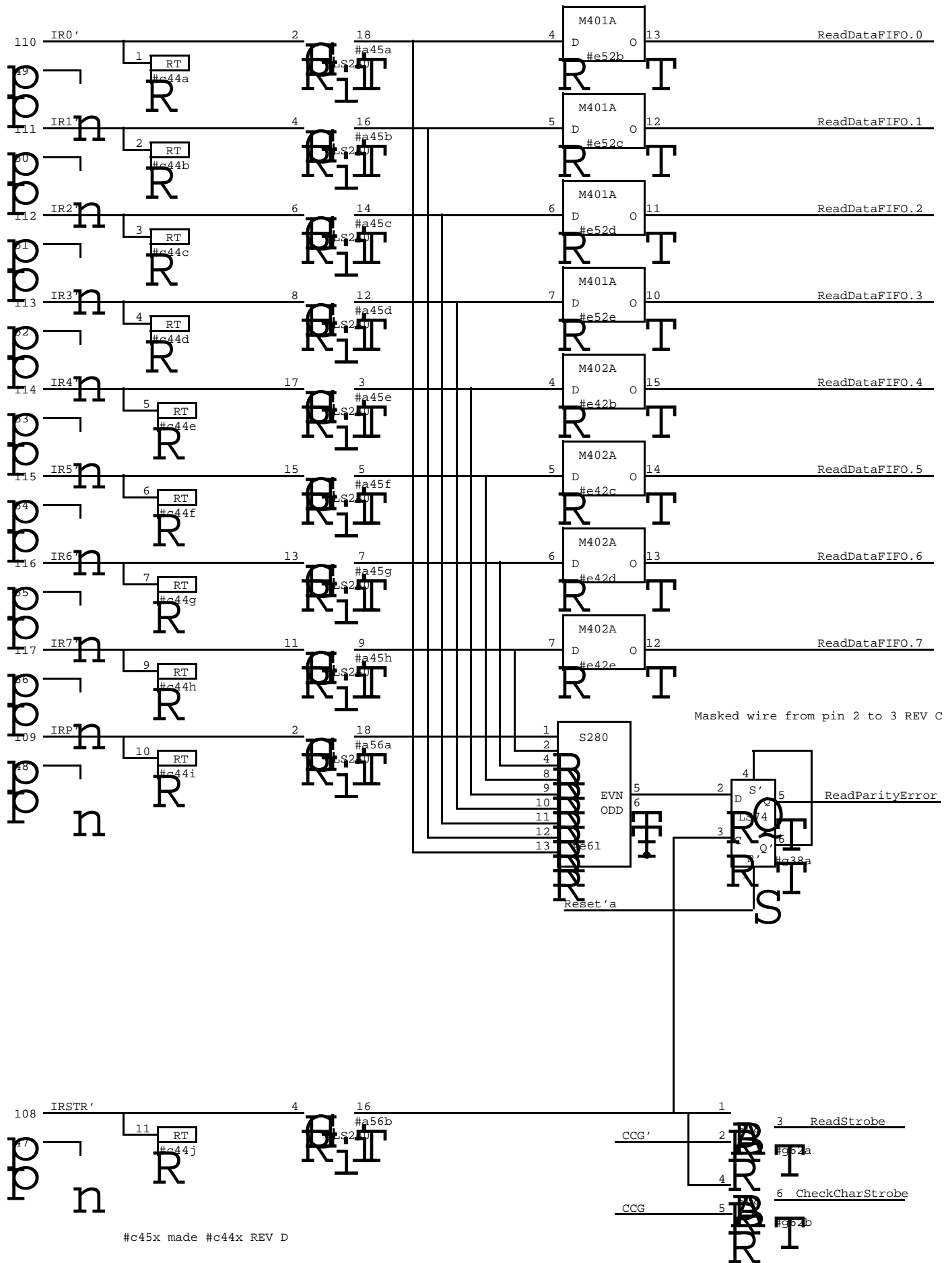
A L T O   D U A L   D E N S I T Y  
 T A P E   C O N T R O L L E R  
 D D T a p e

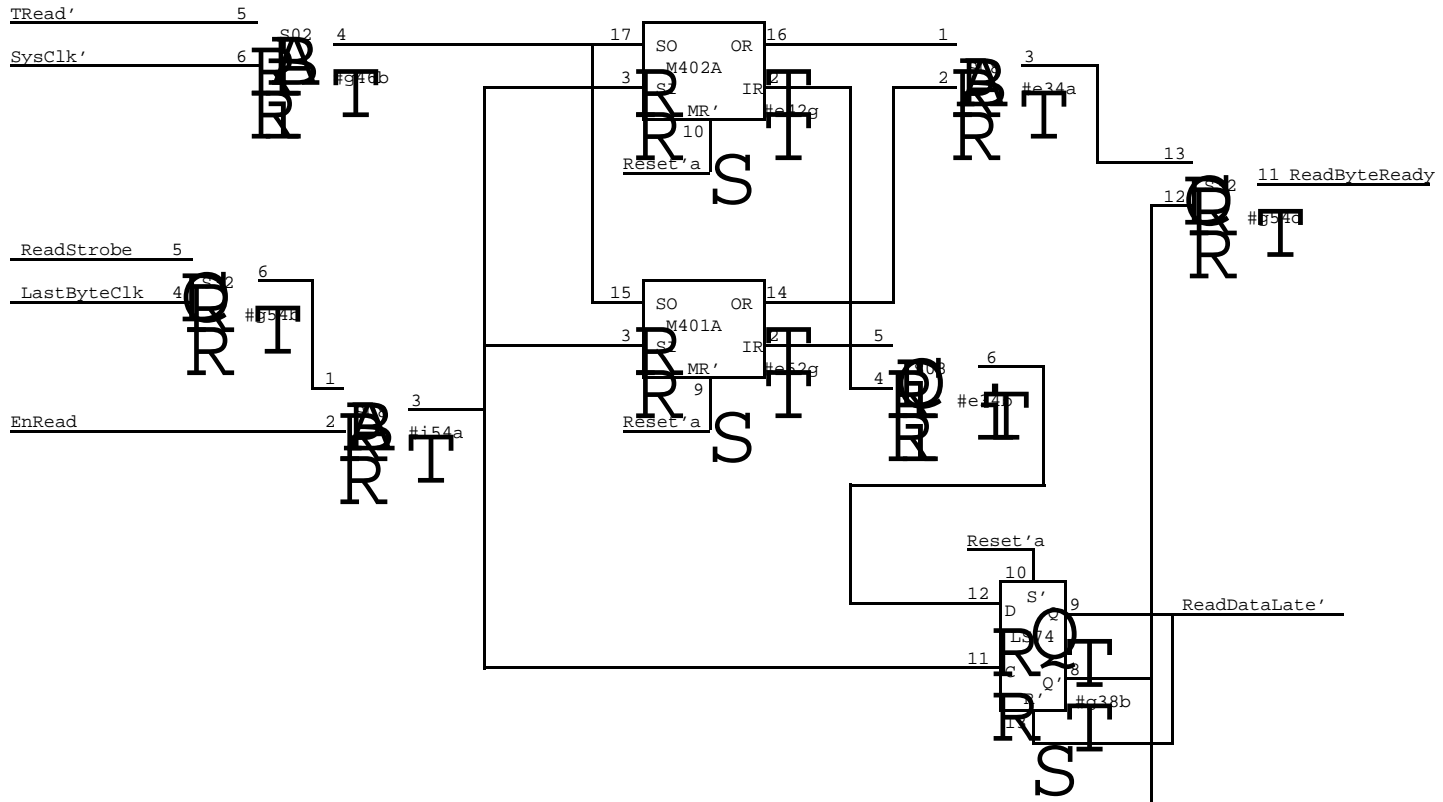
Table of contents

<u>TITLE</u>	<u>Page</u>
Formatter Status _____	0 1
Tape Unit Status _____	0 2
Read Data Interface and FIEO _____	0 3
FIFO Control _____	0 4
Last Byte Detect _____	0 5
Write FIFO and Drivers _____	0 6
Formatter Command Register _____	0 7
Go Command Register _____	0 8
Alto Bus Interface _____	0 8
Alto Processor Interface _____	1 0
Data Wakeups _____	1 1
Other Wakeups _____	1 2
Route Stuff _____	1 3
Layout _____	1 4

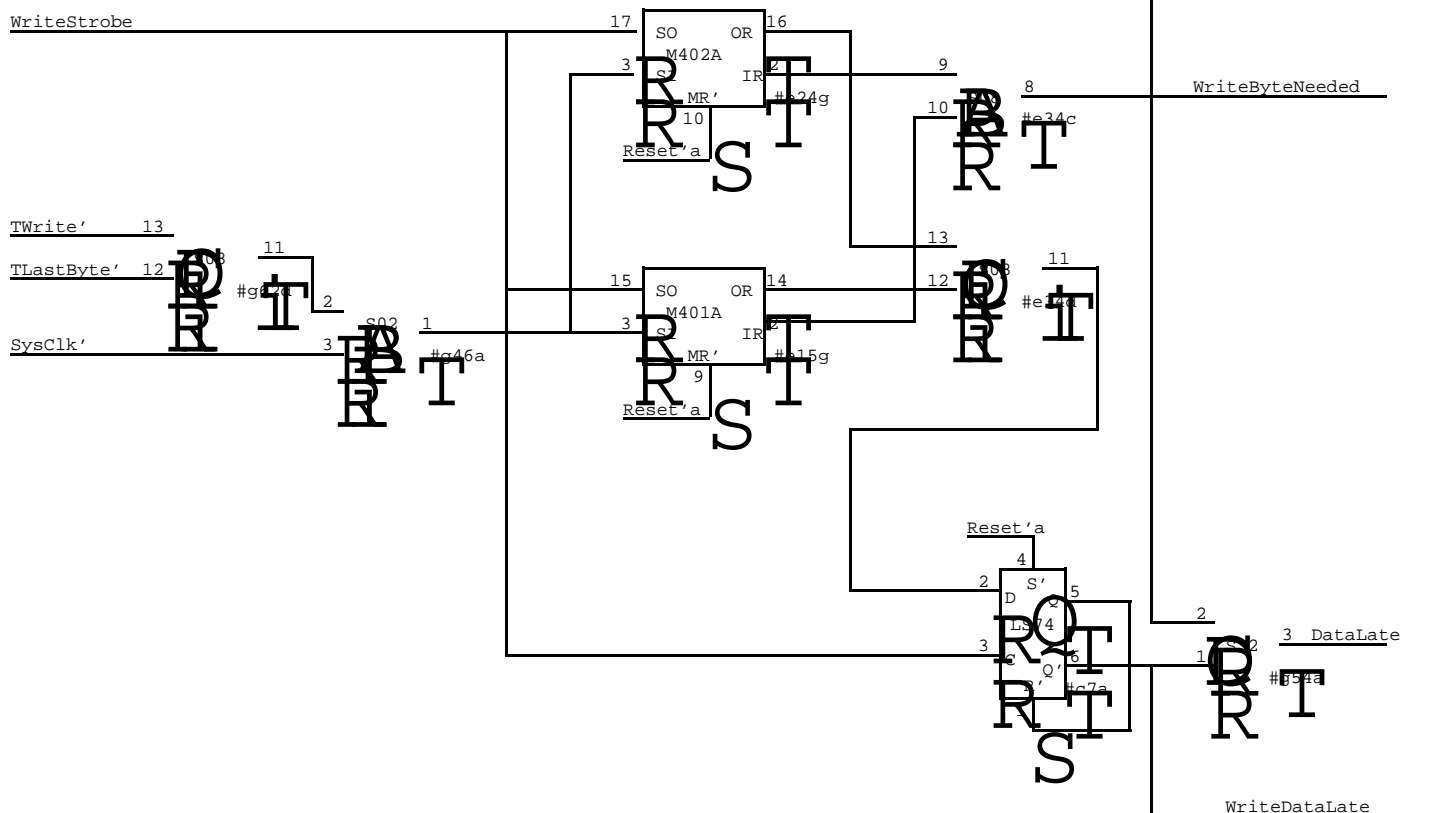




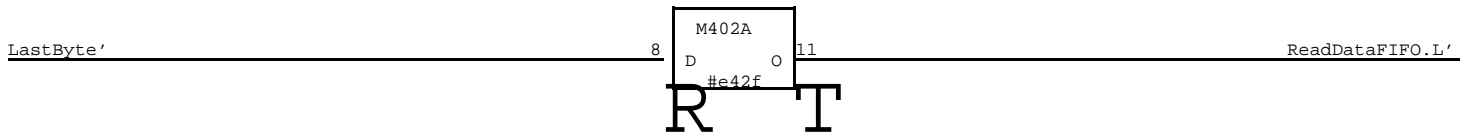
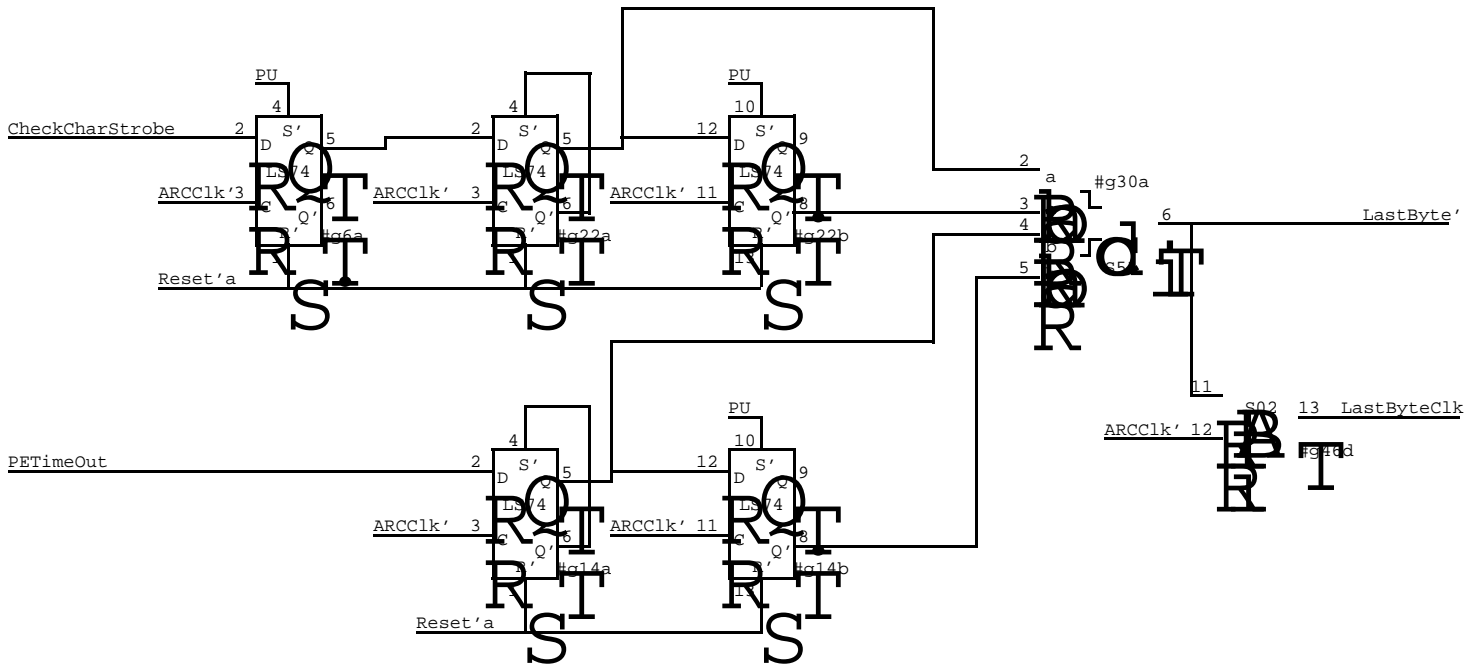
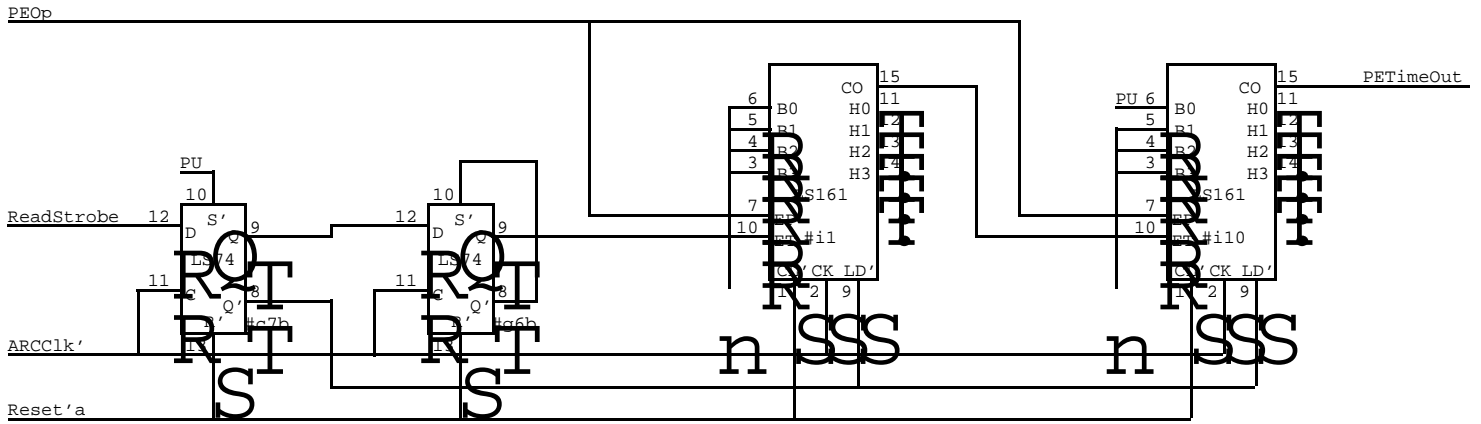


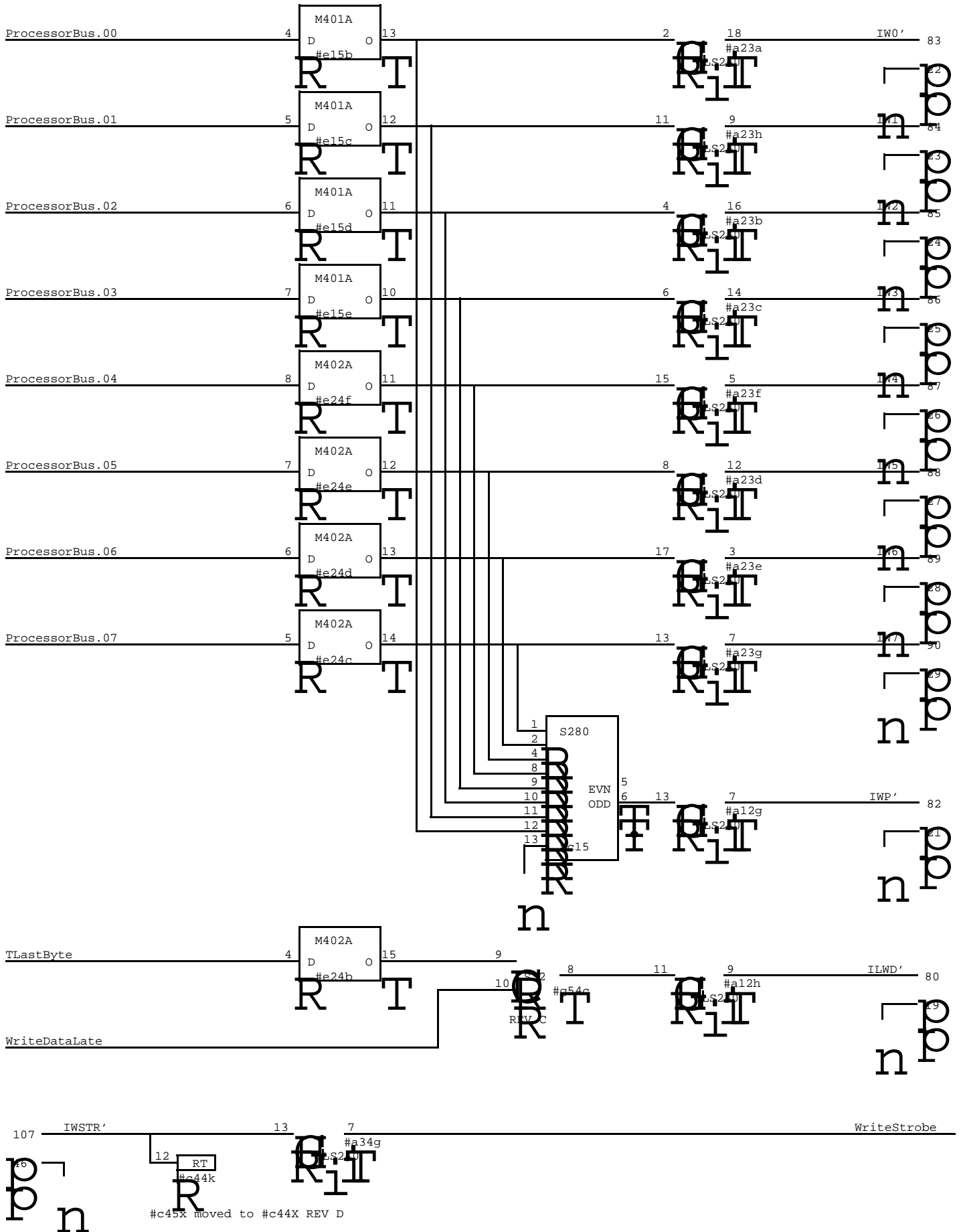


Read FIFO Control



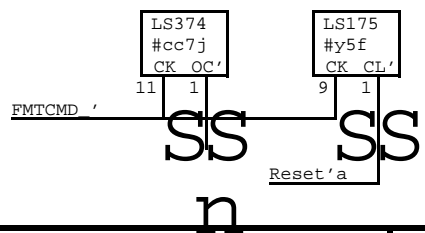
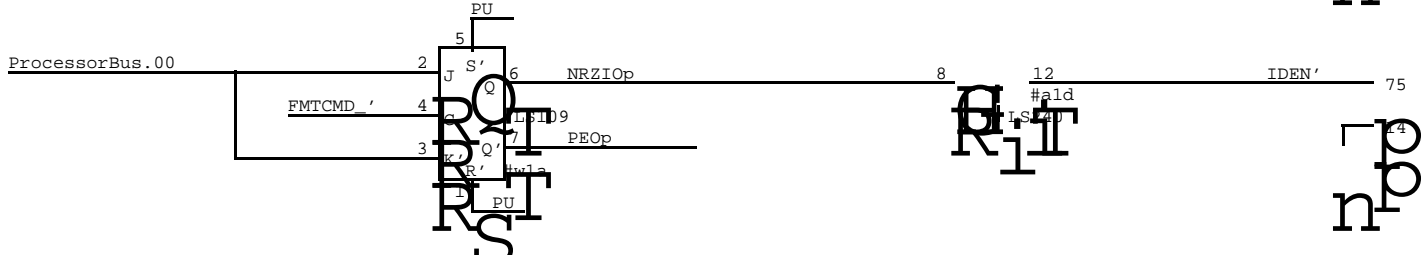
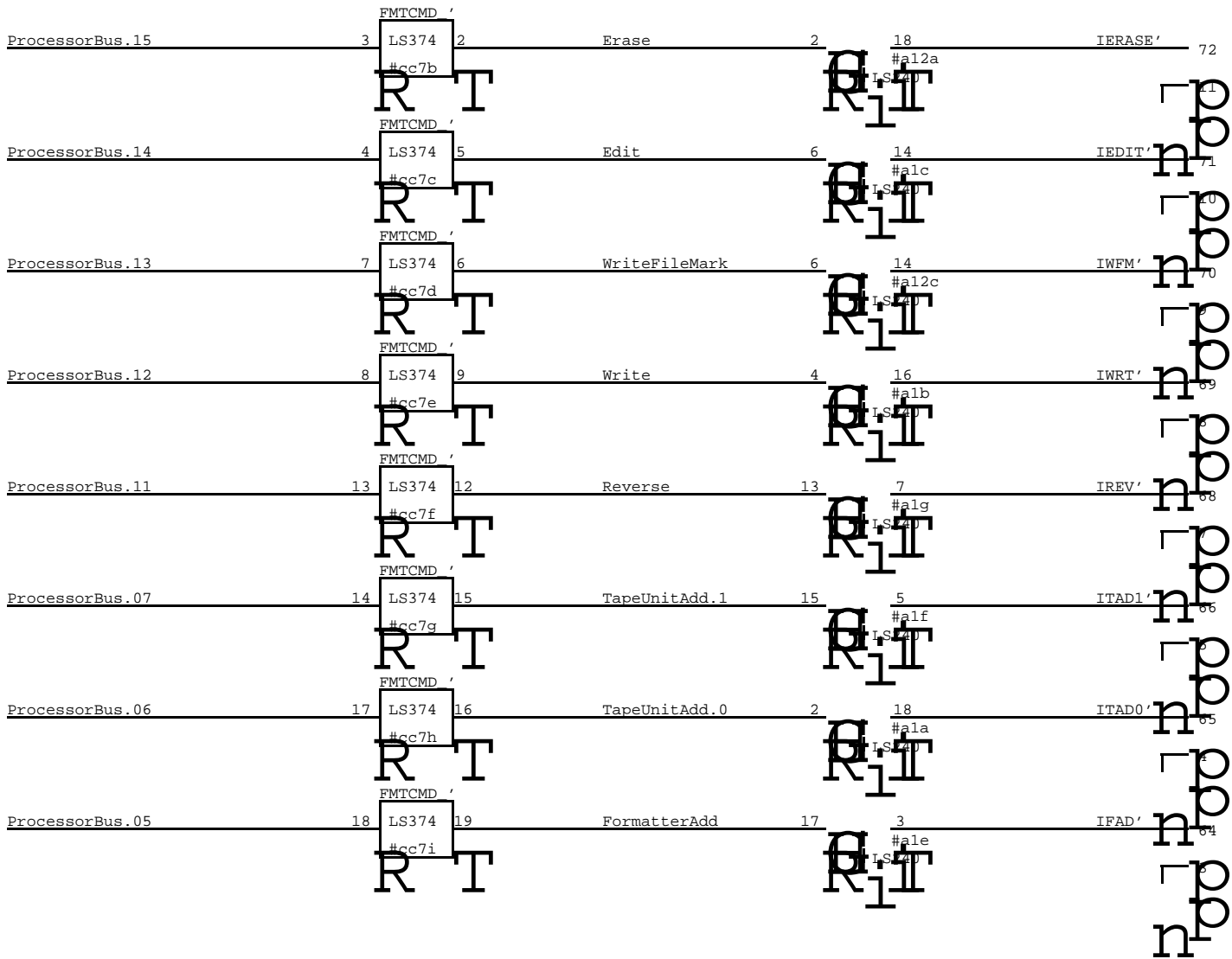
Write FIFO Control



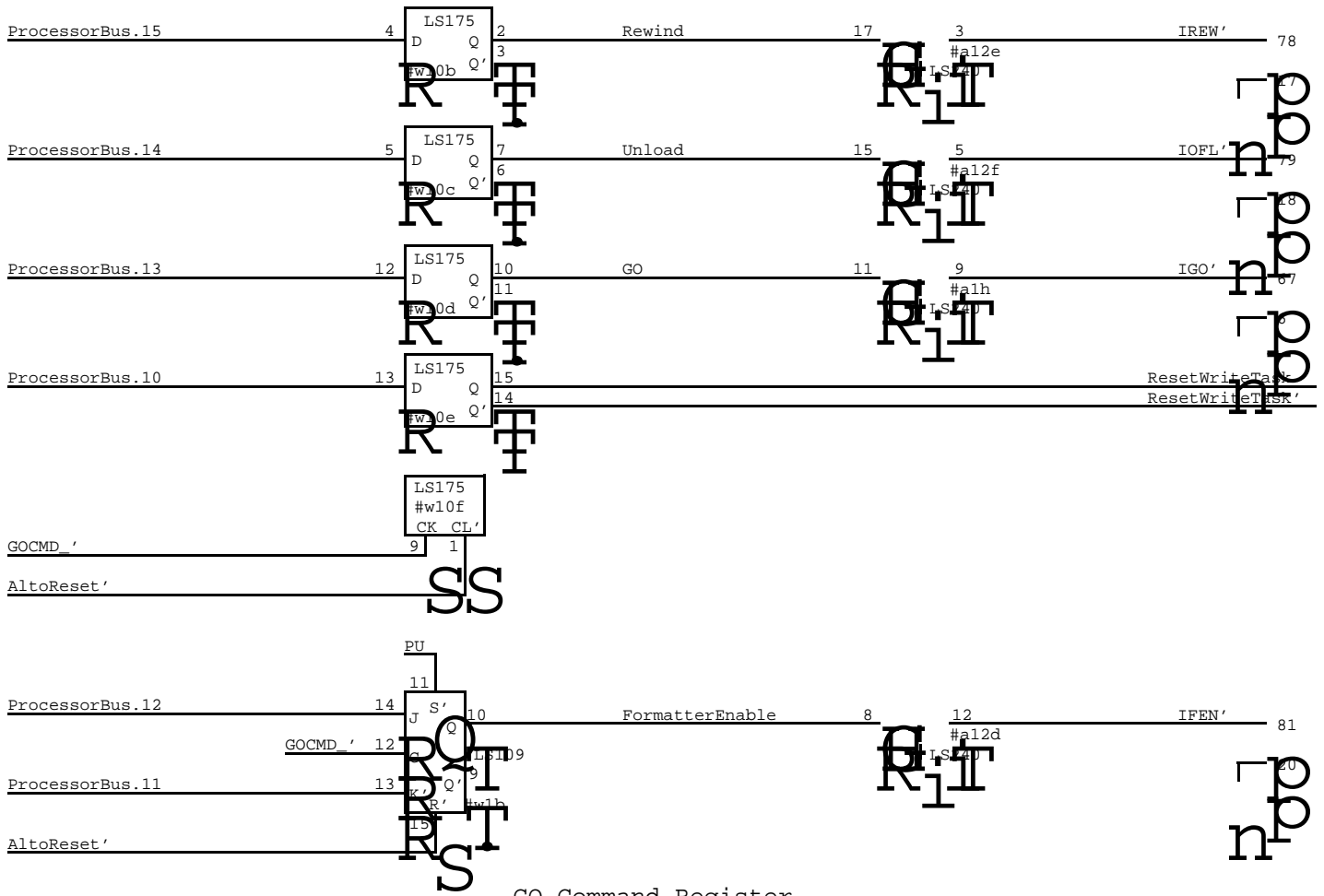


#c45X moved to #c44X REV D

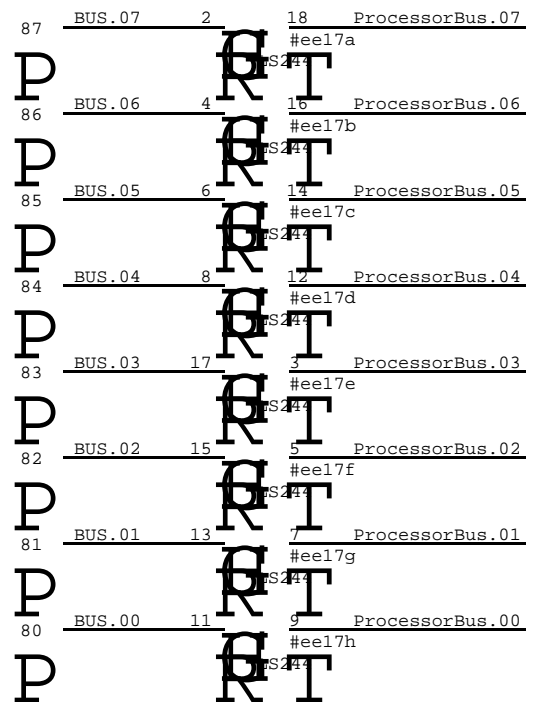
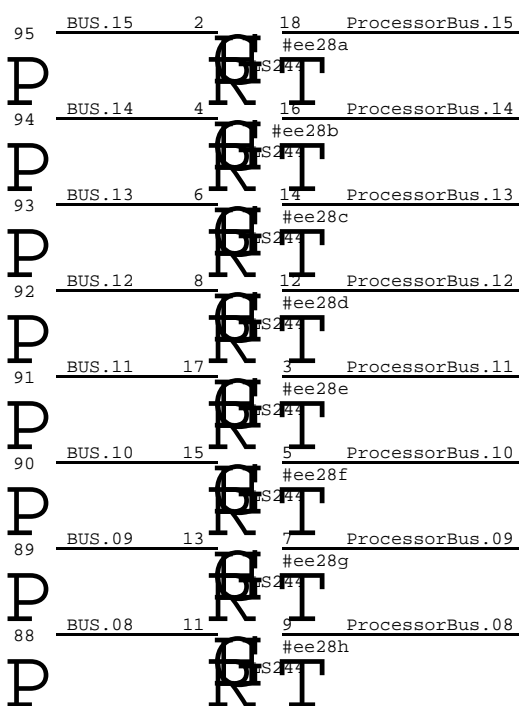
XEROX PARC/CSL	Project DD Tape	Write FIFO and Output Drivers	File DDTape06.sil	Designer Tim Diebert	Rev F	Date 2/12/81	Page 07
-------------------	-----------------------	-------------------------------	----------------------	-------------------------	----------	-----------------	------------





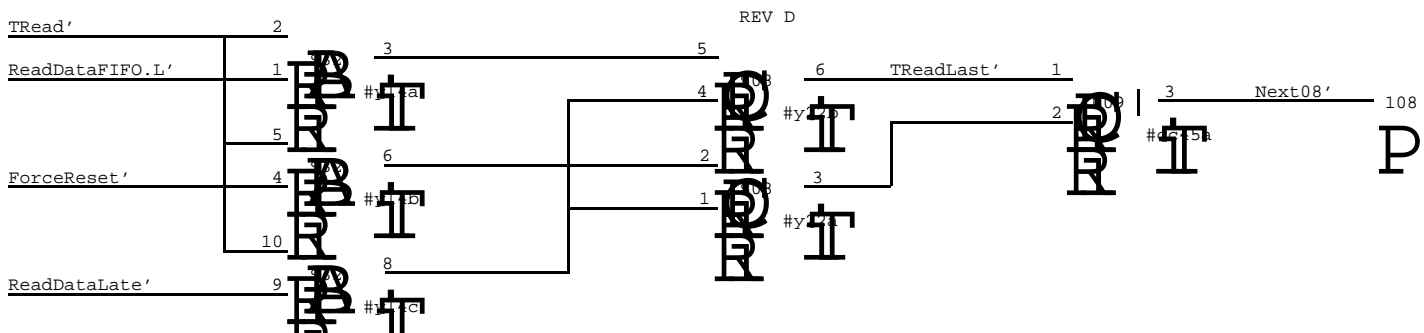
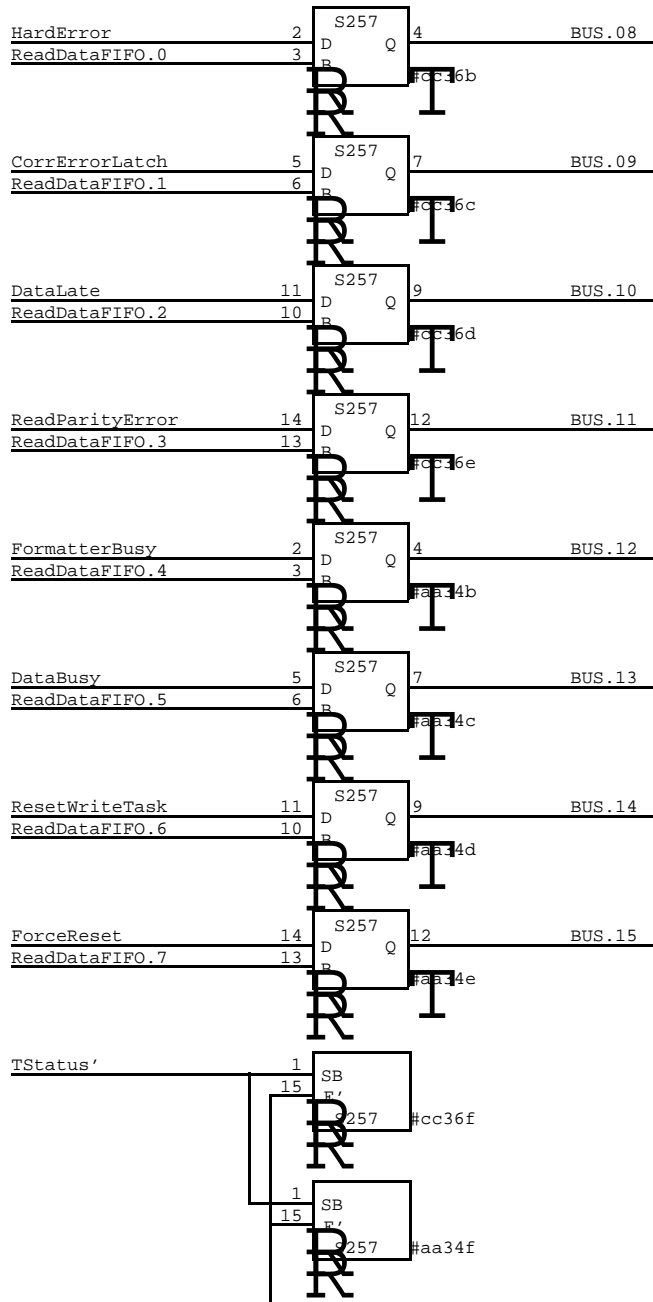
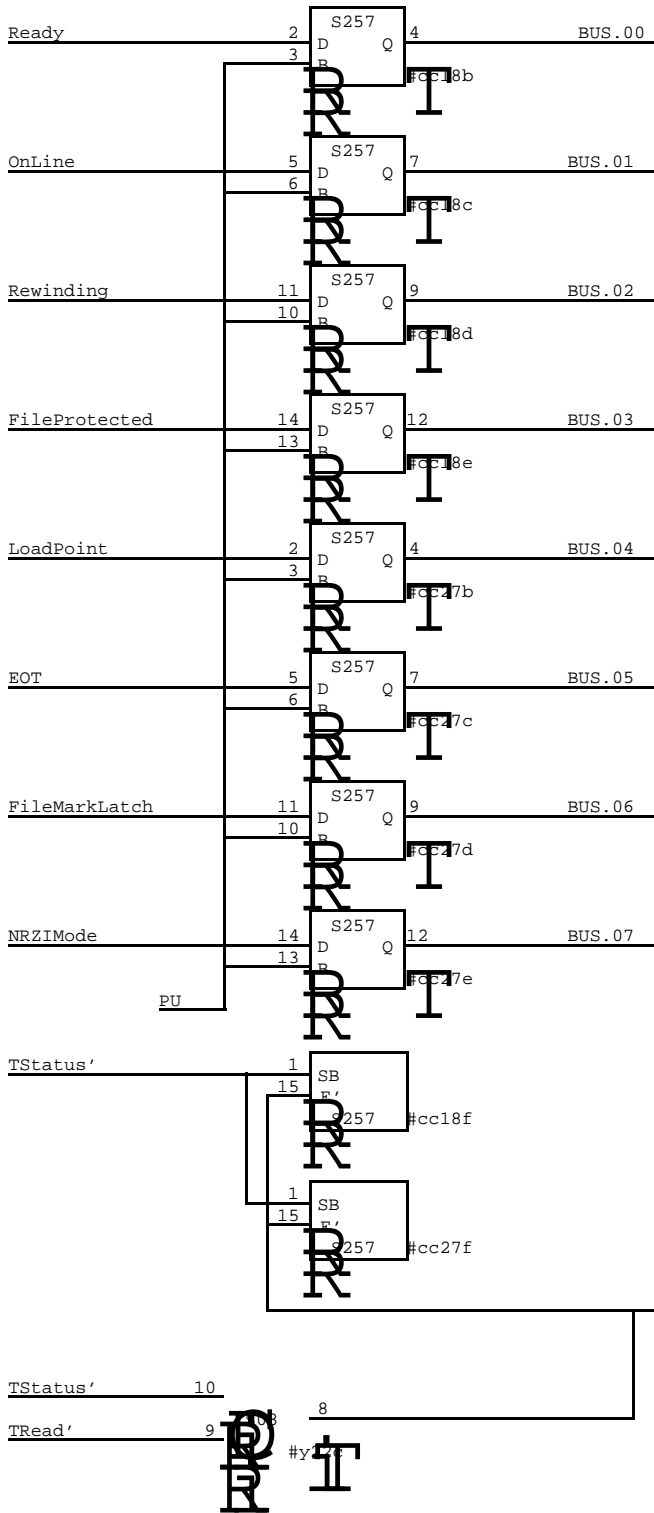


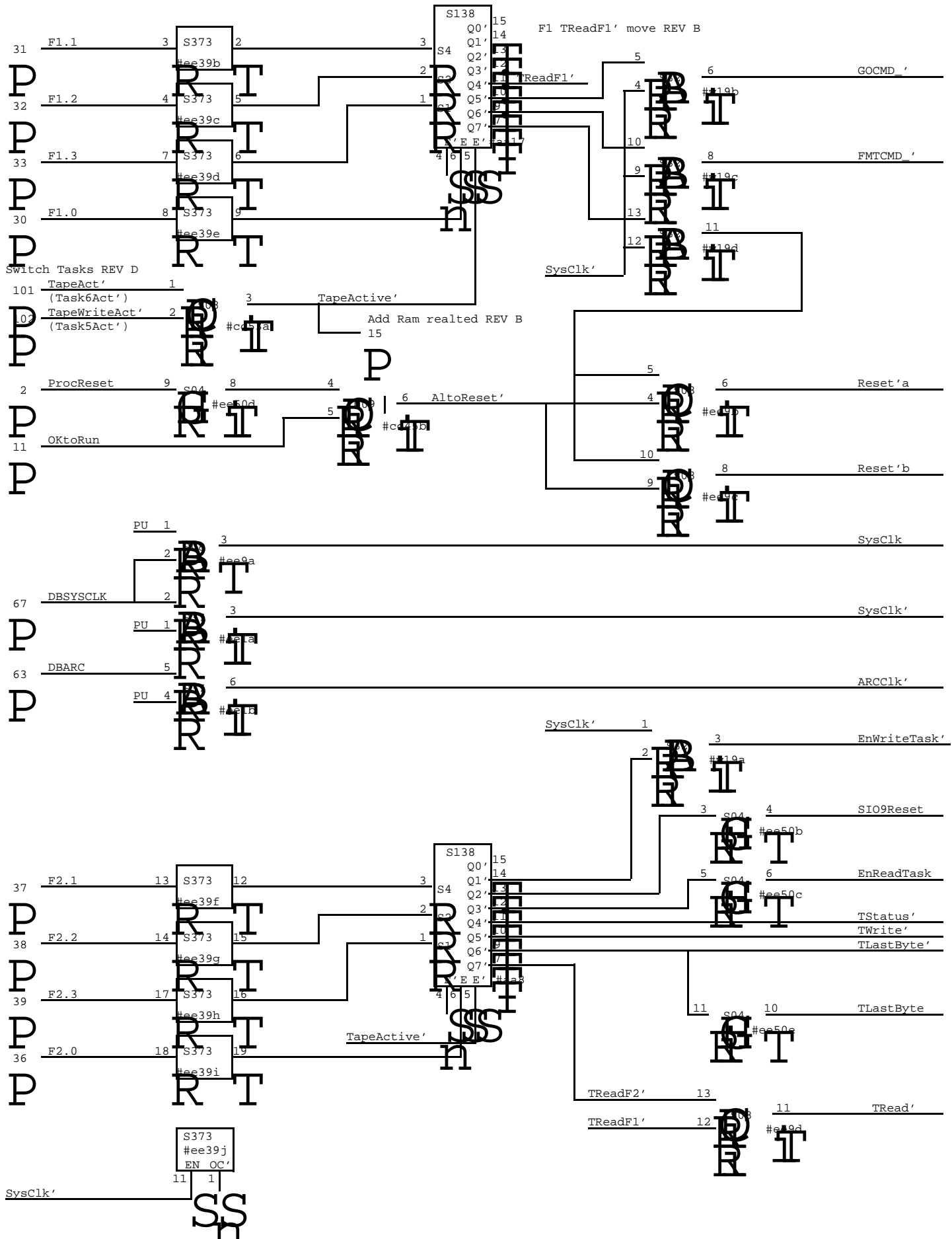
GO Command Register

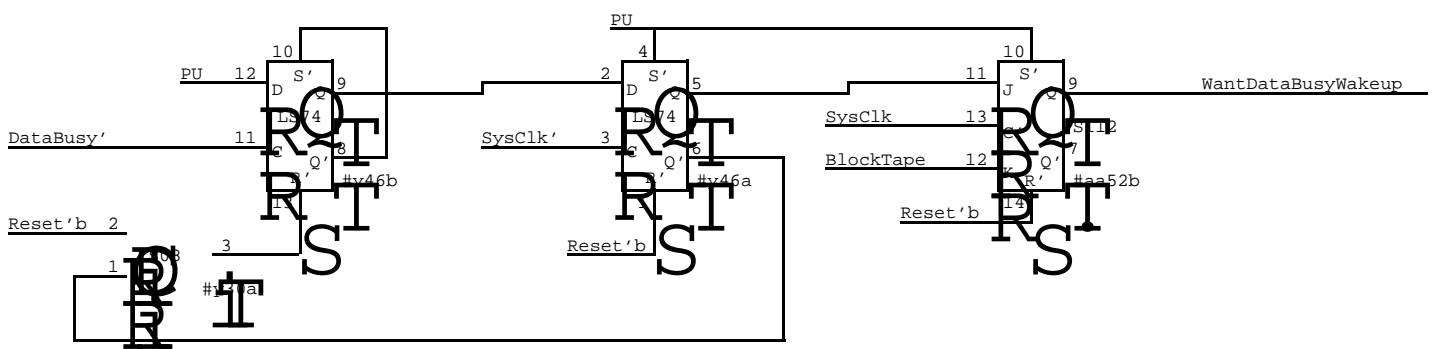
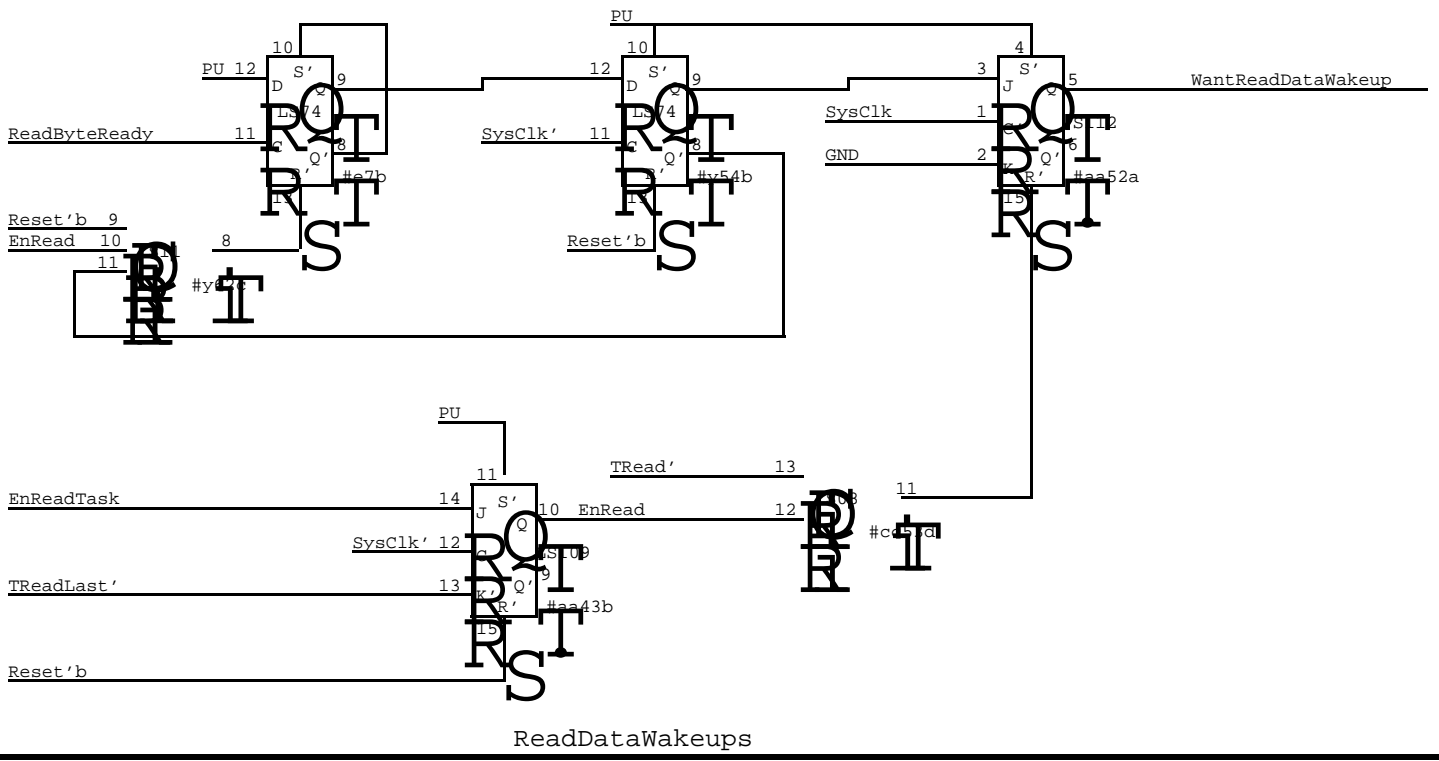
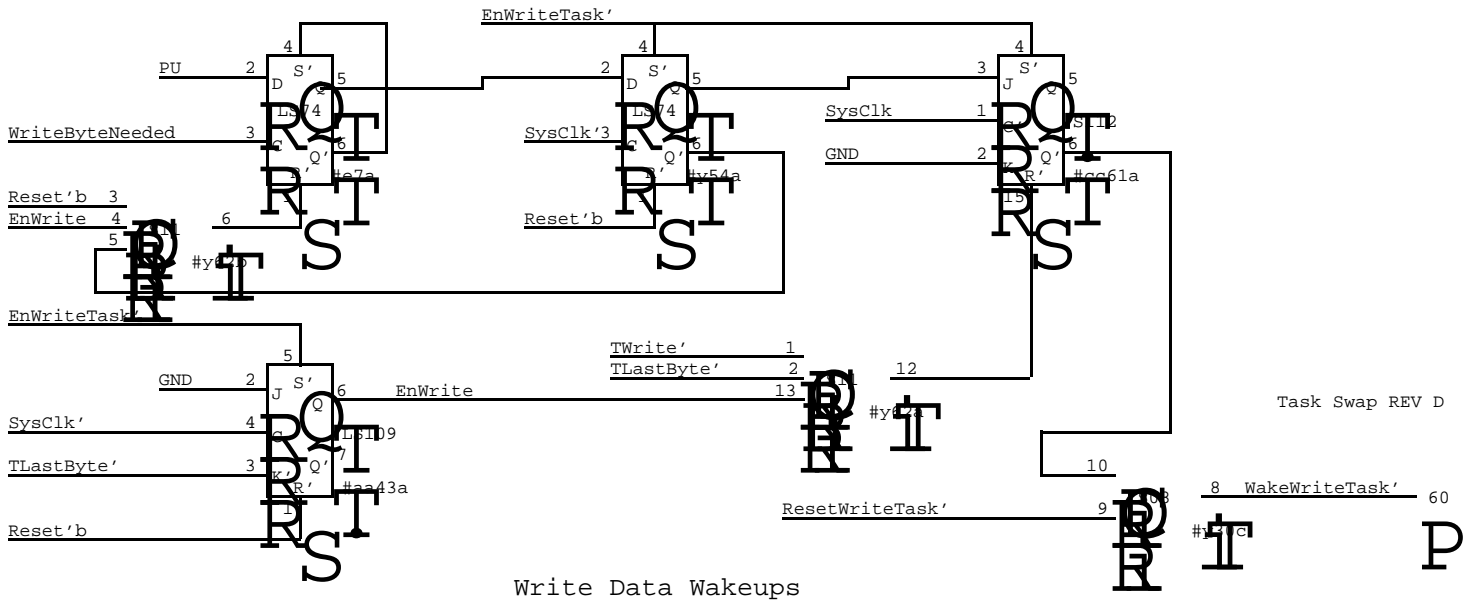


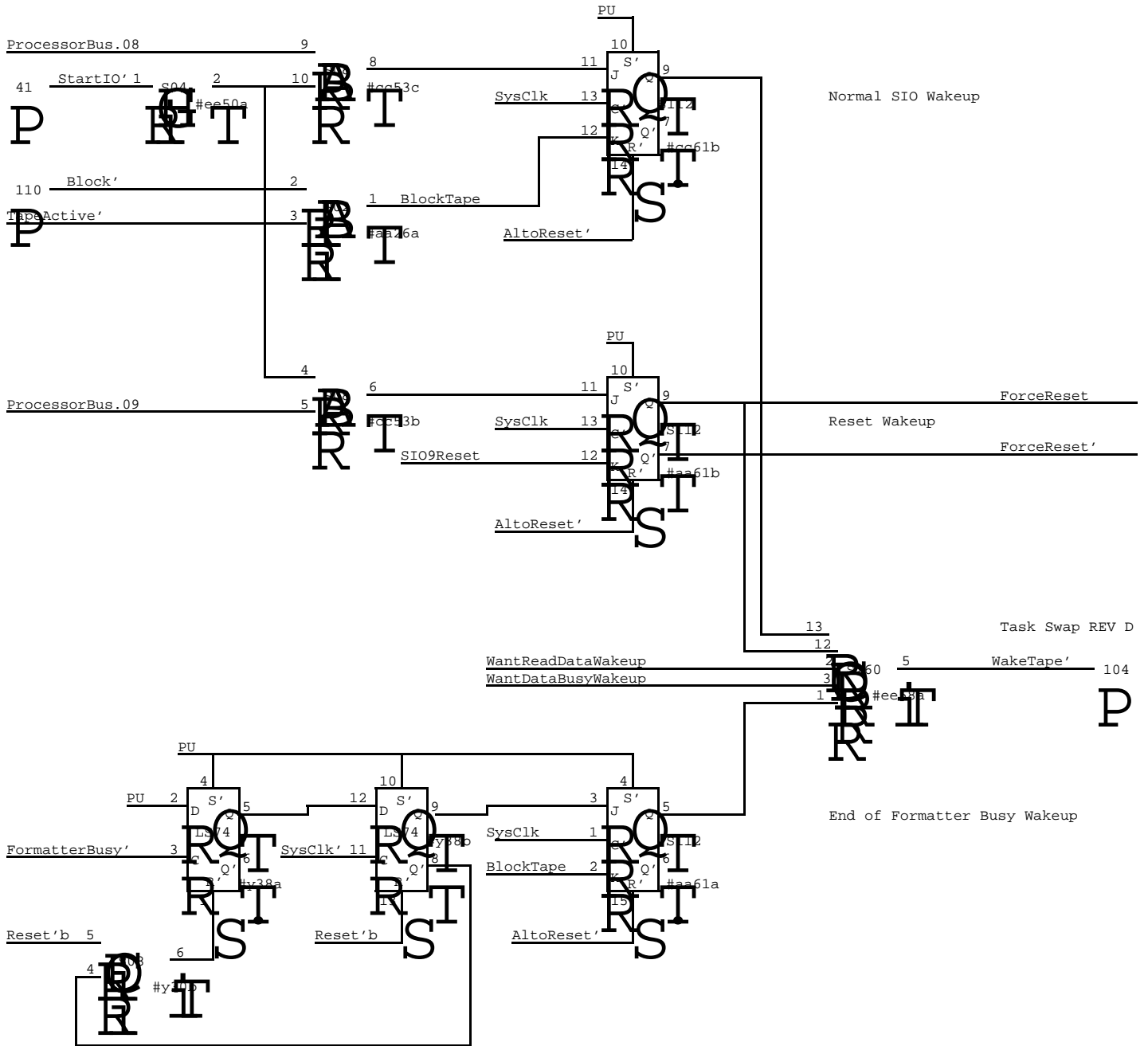
Alto Bus Interface

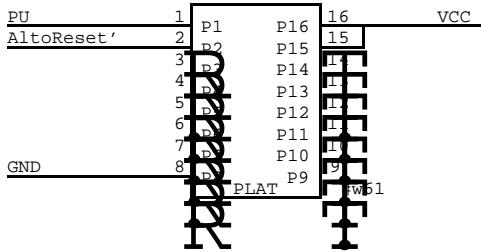
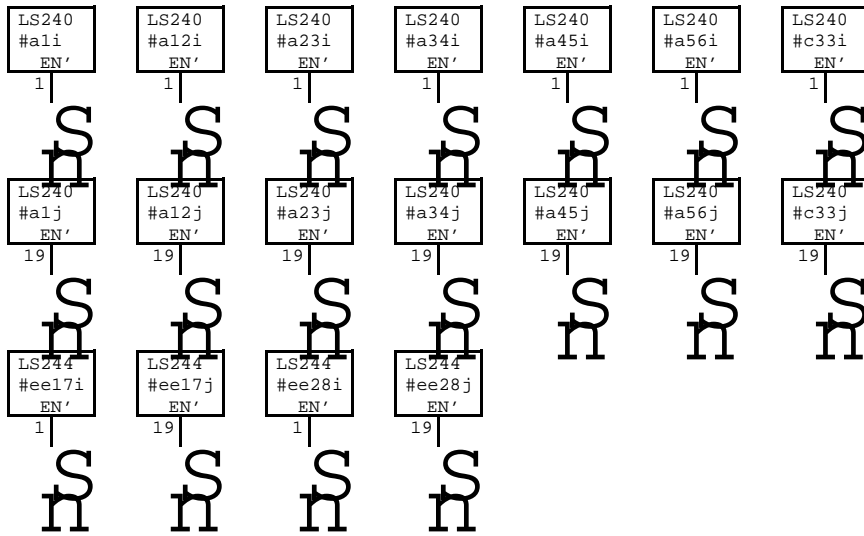
XEROX PARC/CSL	Project DDTape	GO Command Register Alto Bus Interface	File DDTape08.sil	Designer Tim Diebert	Rev F	Date 1/05/82	Page 09
-------------------	-------------------	---	----------------------	-------------------------	----------	-----------------	------------





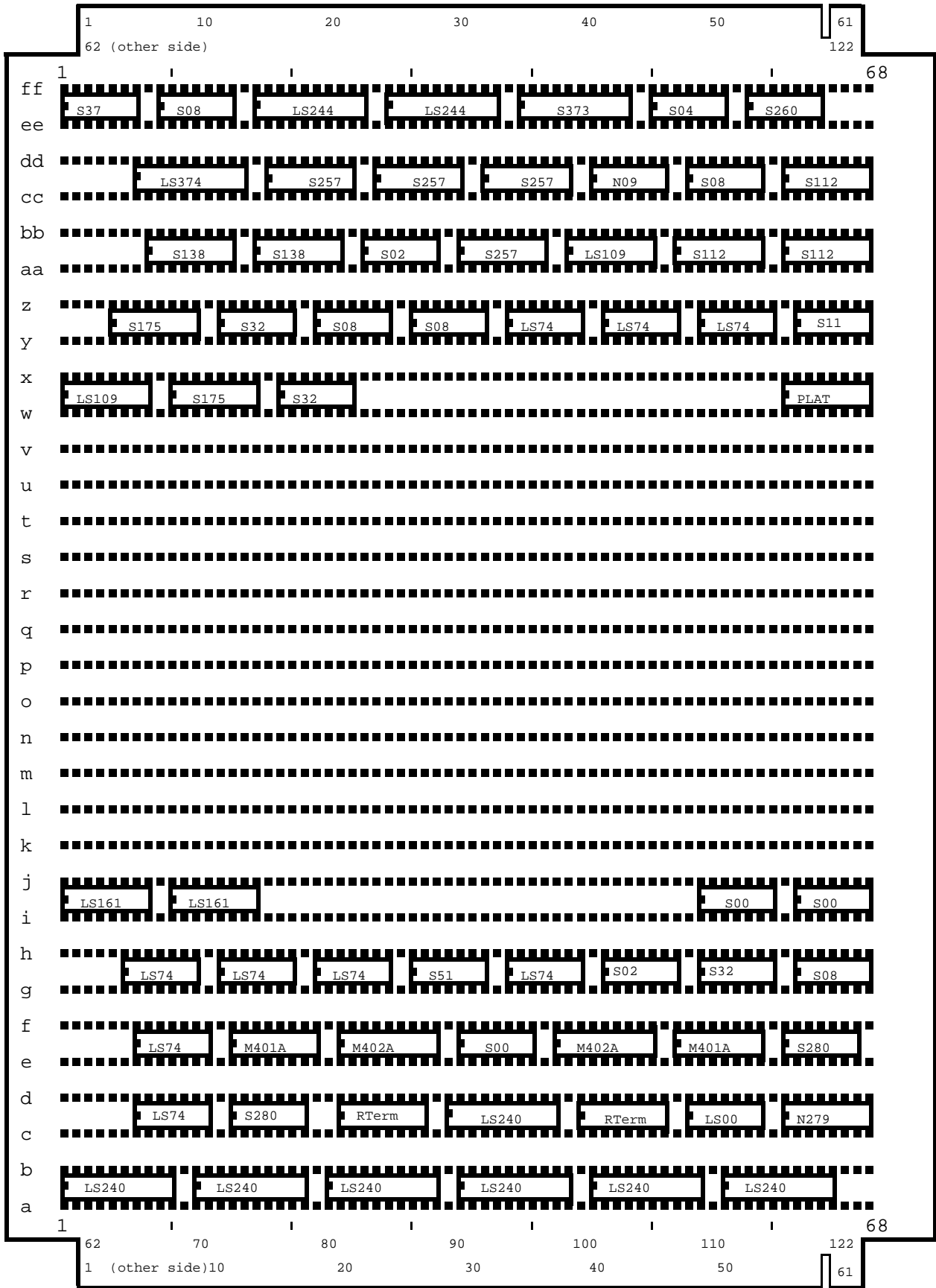






1k ohm resistor from 1 to 16  
 330 ohm resistor from 2 to 15

E D G E C O N N E C T O R



C A B L E C O N N E C T O R

Misc Clean up REV D

As viewed from the component side

Load .01uf caps all available locations near chips  
Install heavy ground connections from edge to power p.

XEROX	Project	Reference	File	Designer	Rev	Date	Page
PARC/CSL	DDTape	Layout	DDTape14.sil	Tim Diebert	F	3/17/81	15